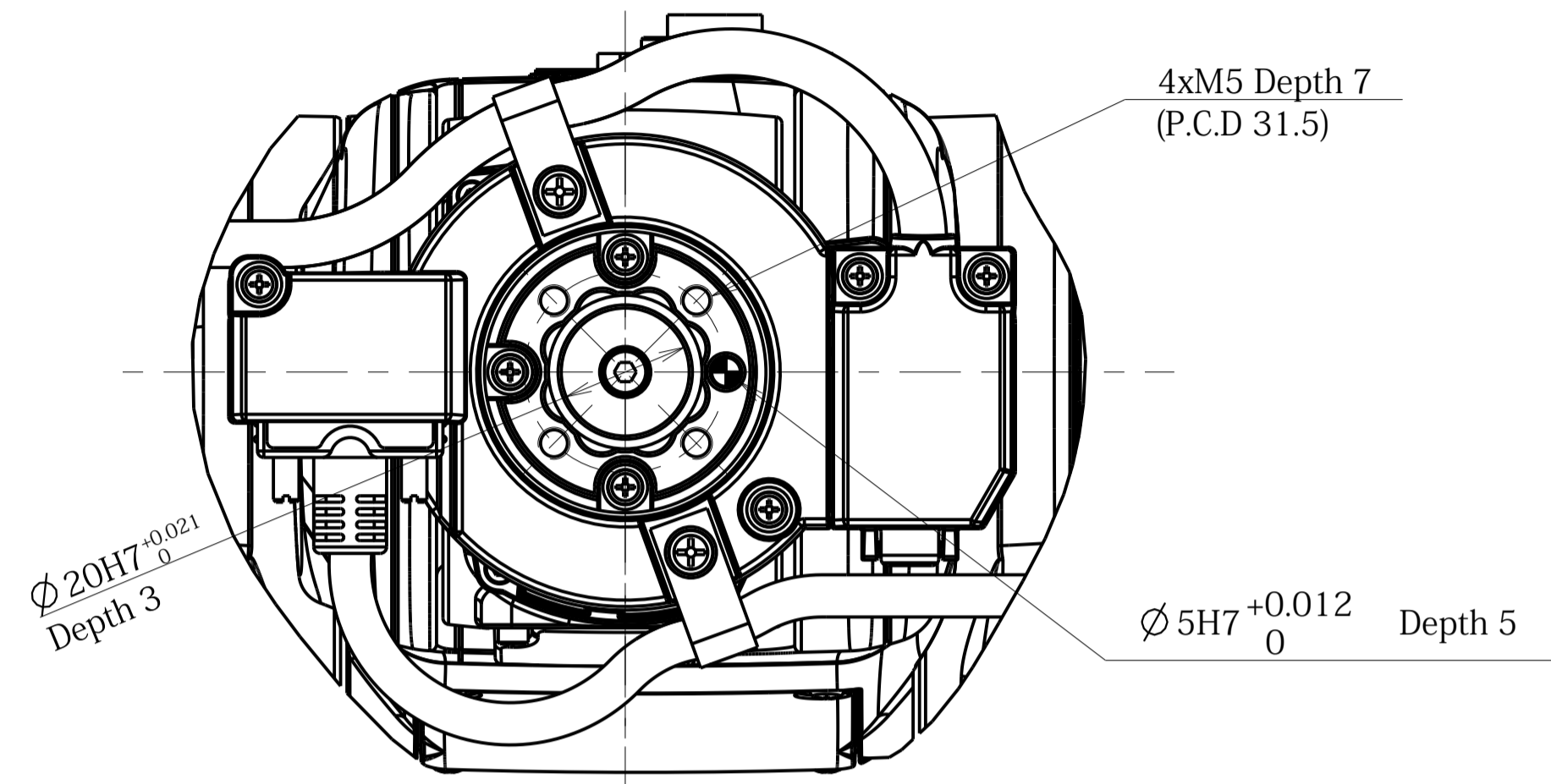
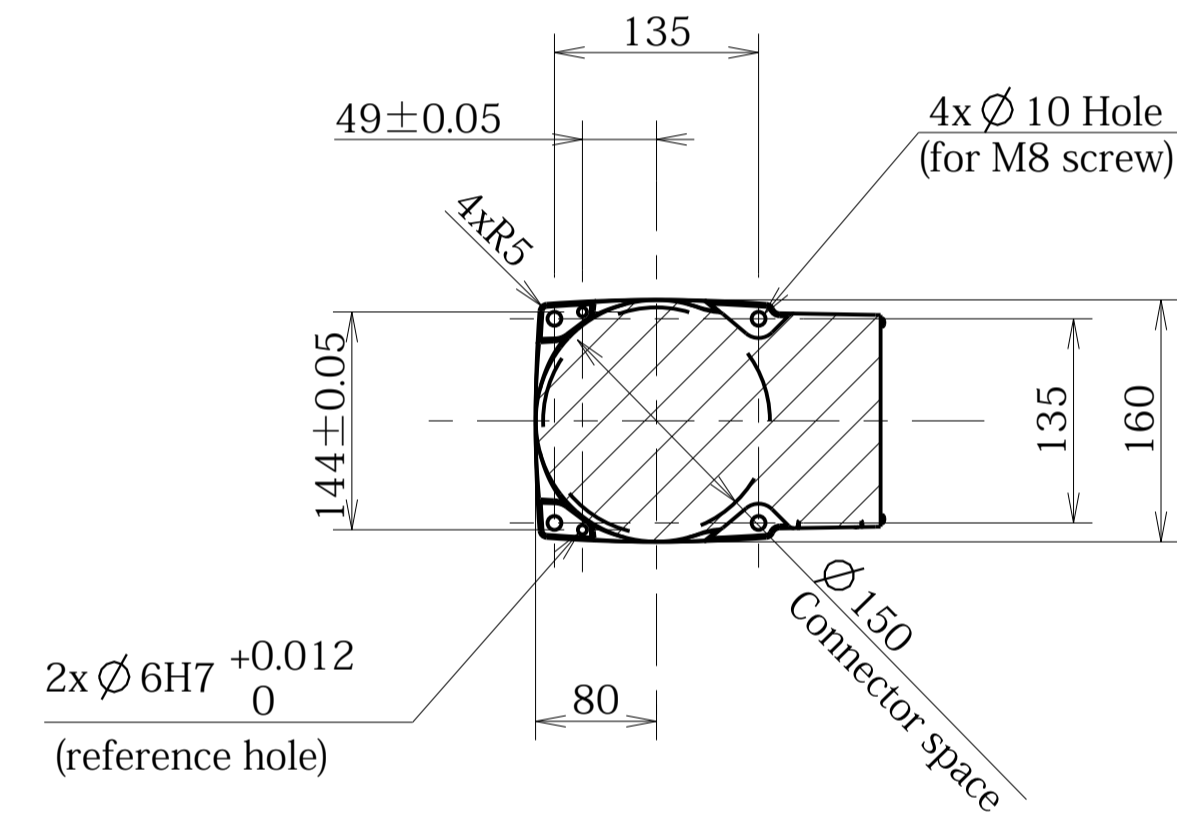


Detailed drawing of end-effector mounting face



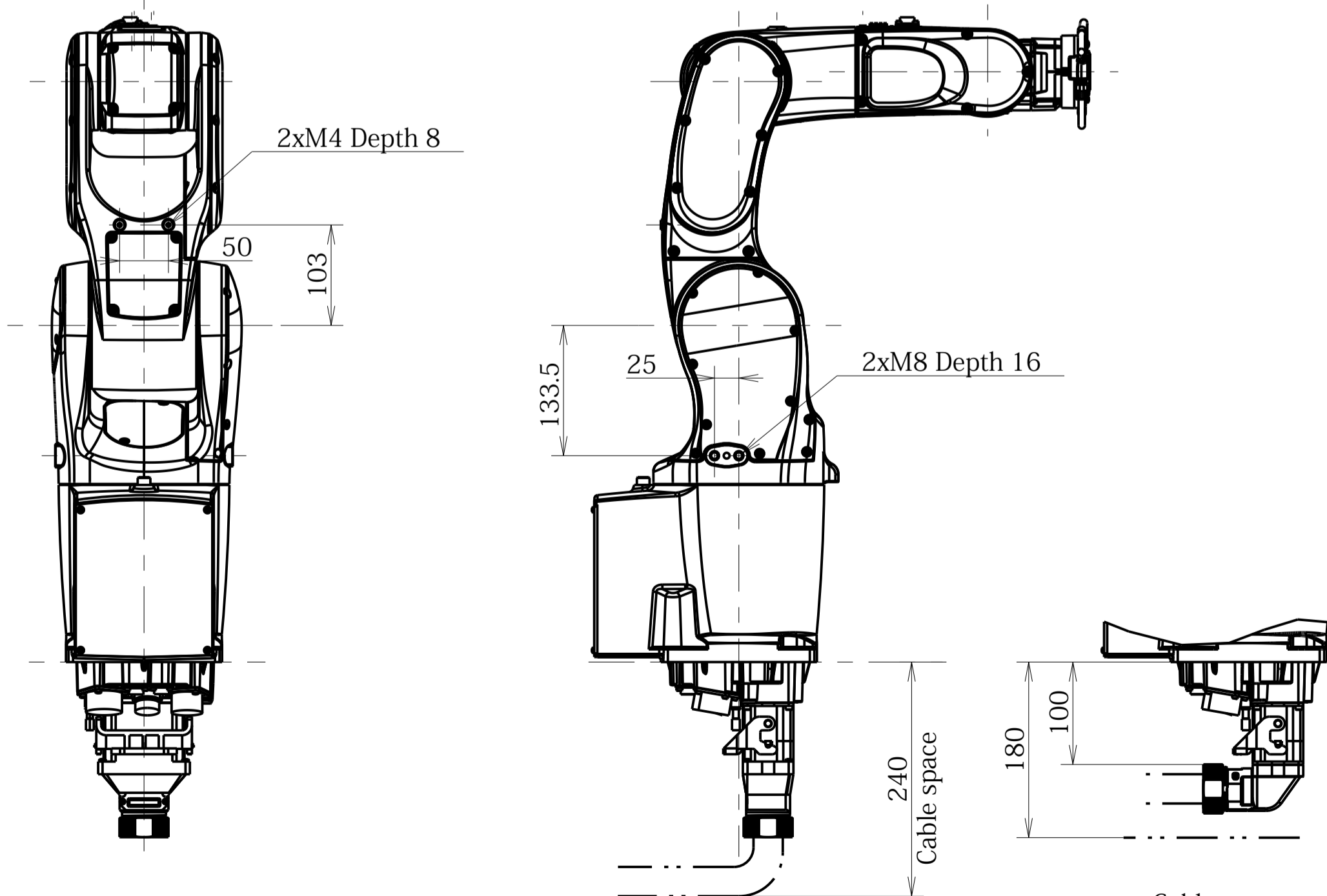
B

Detailed drawing of base mounting face

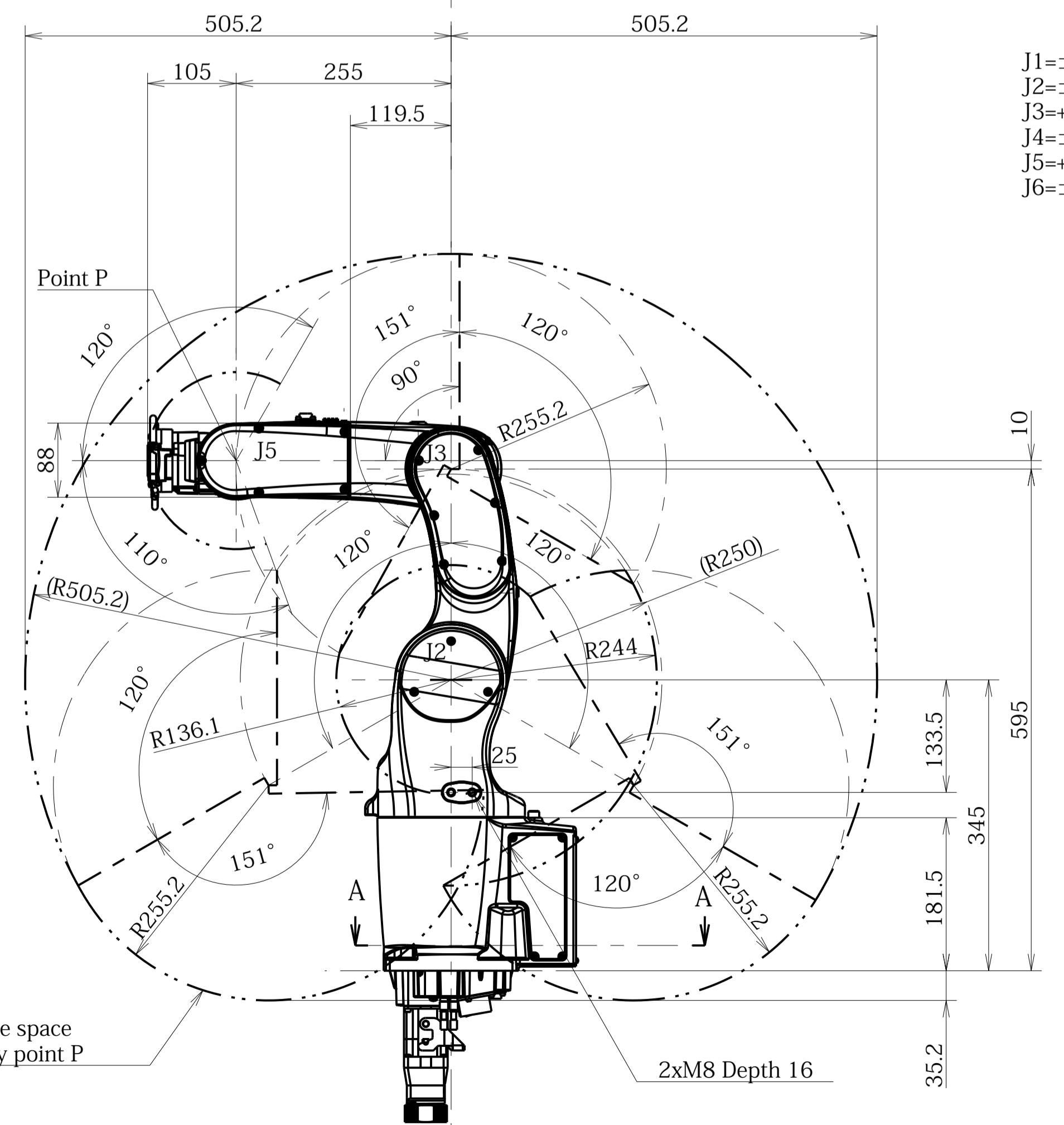
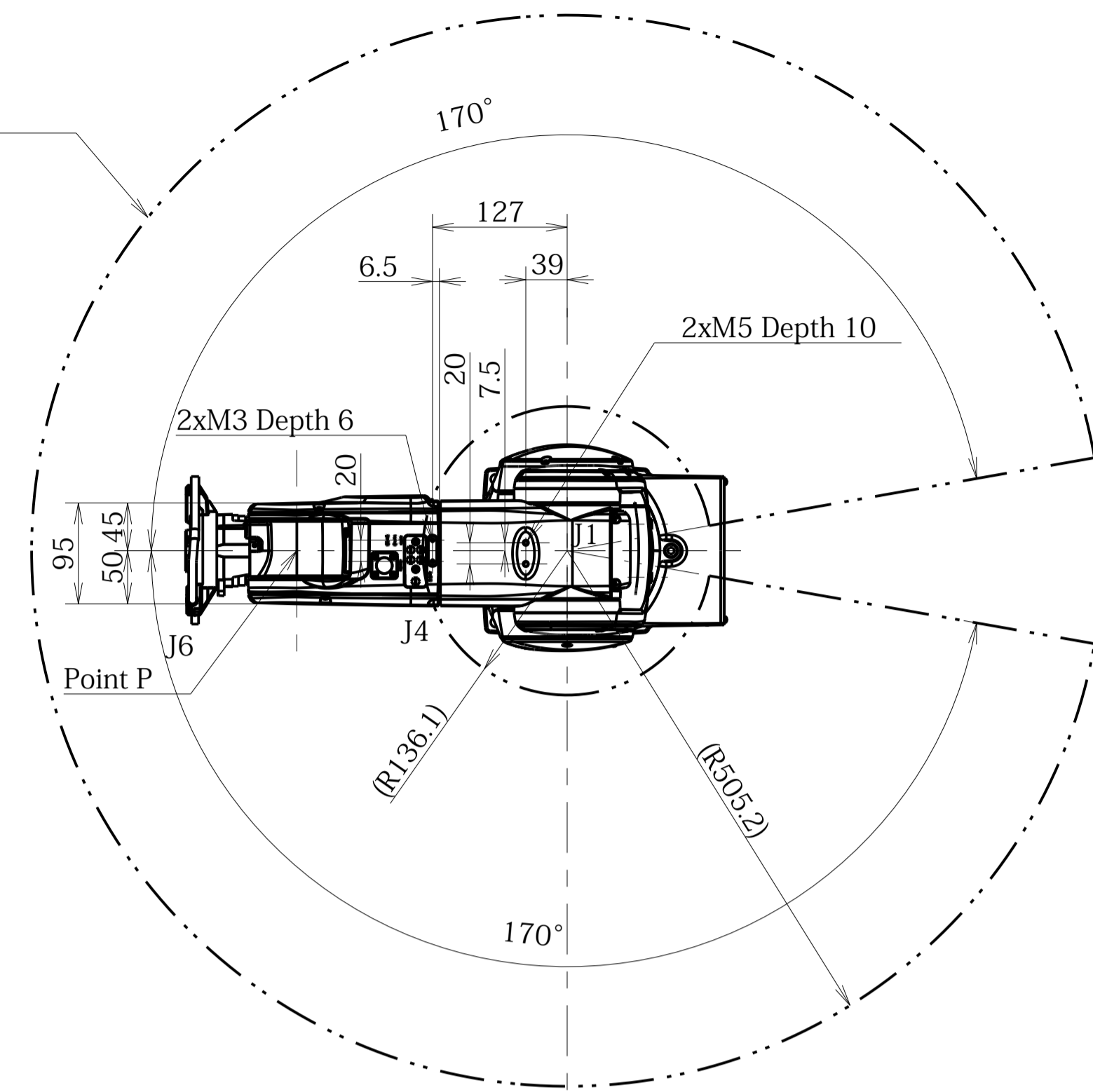


A-A

B



Workable space
definid by point P



J1=±170°
J2=±120°
J3=+151° -120°
J4=±270°
J5=+120° -110°
J6=±360°

Workable space
definid by point P