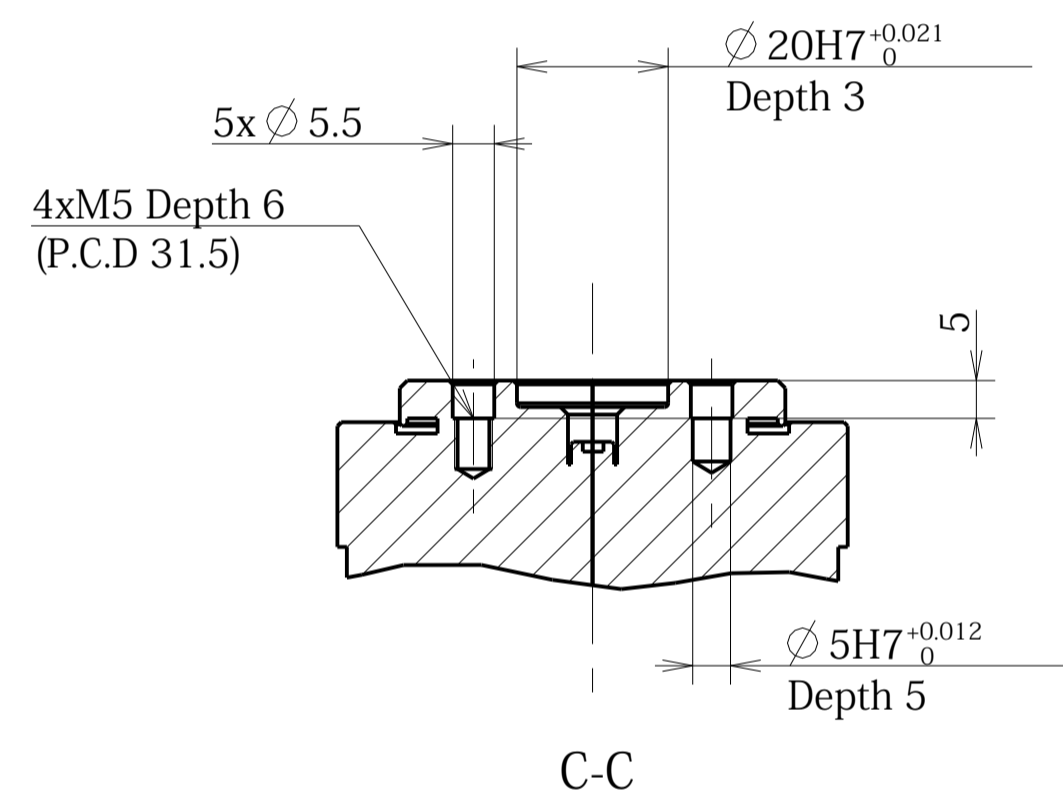
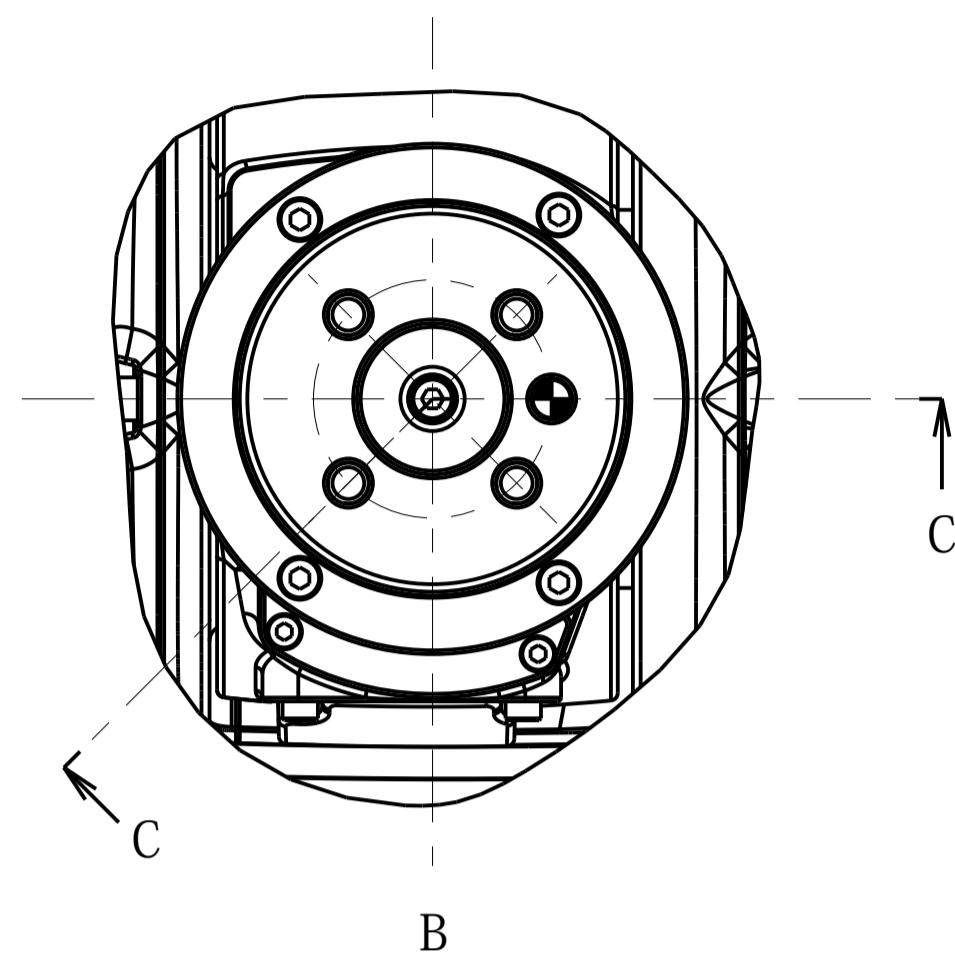
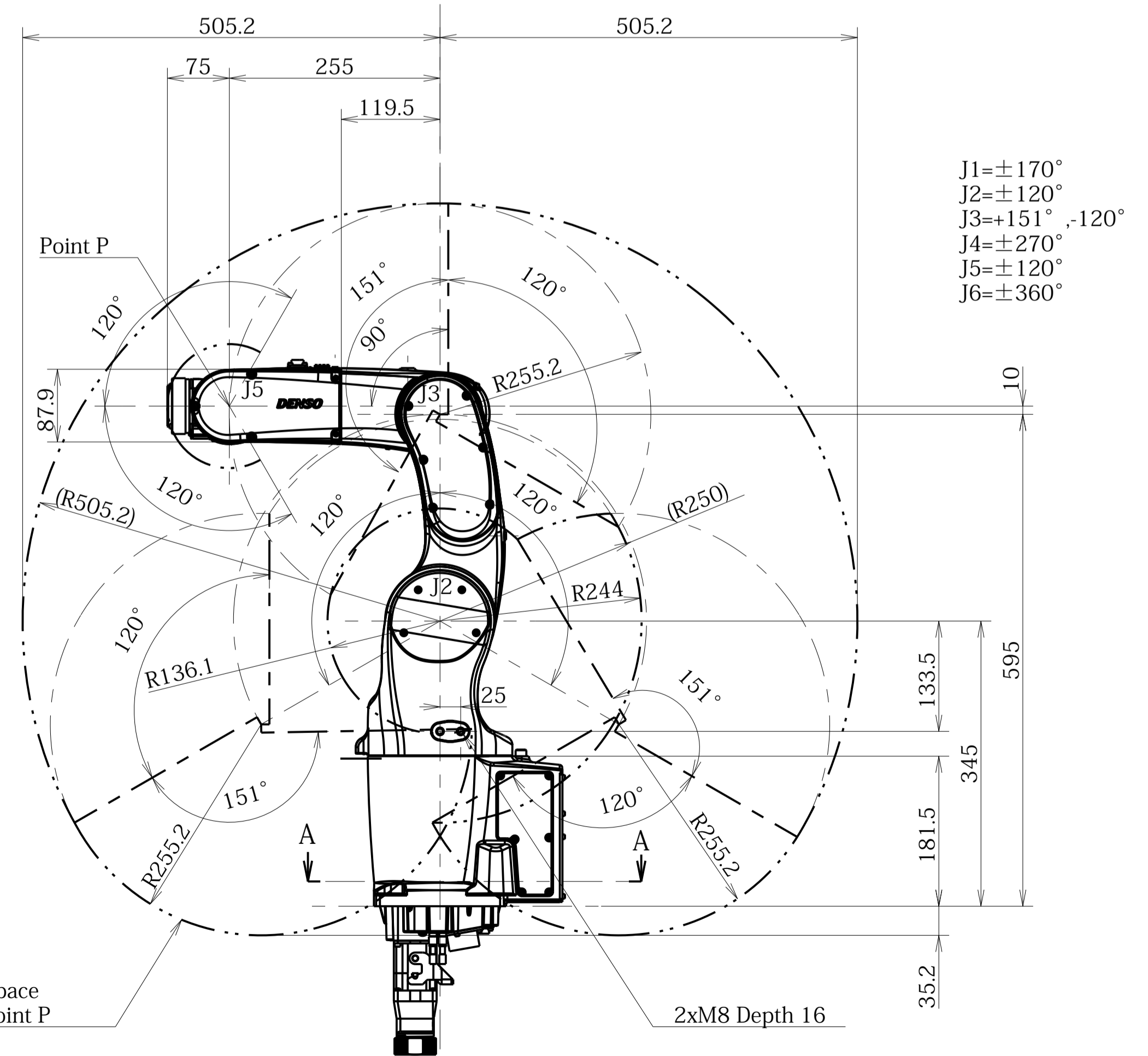
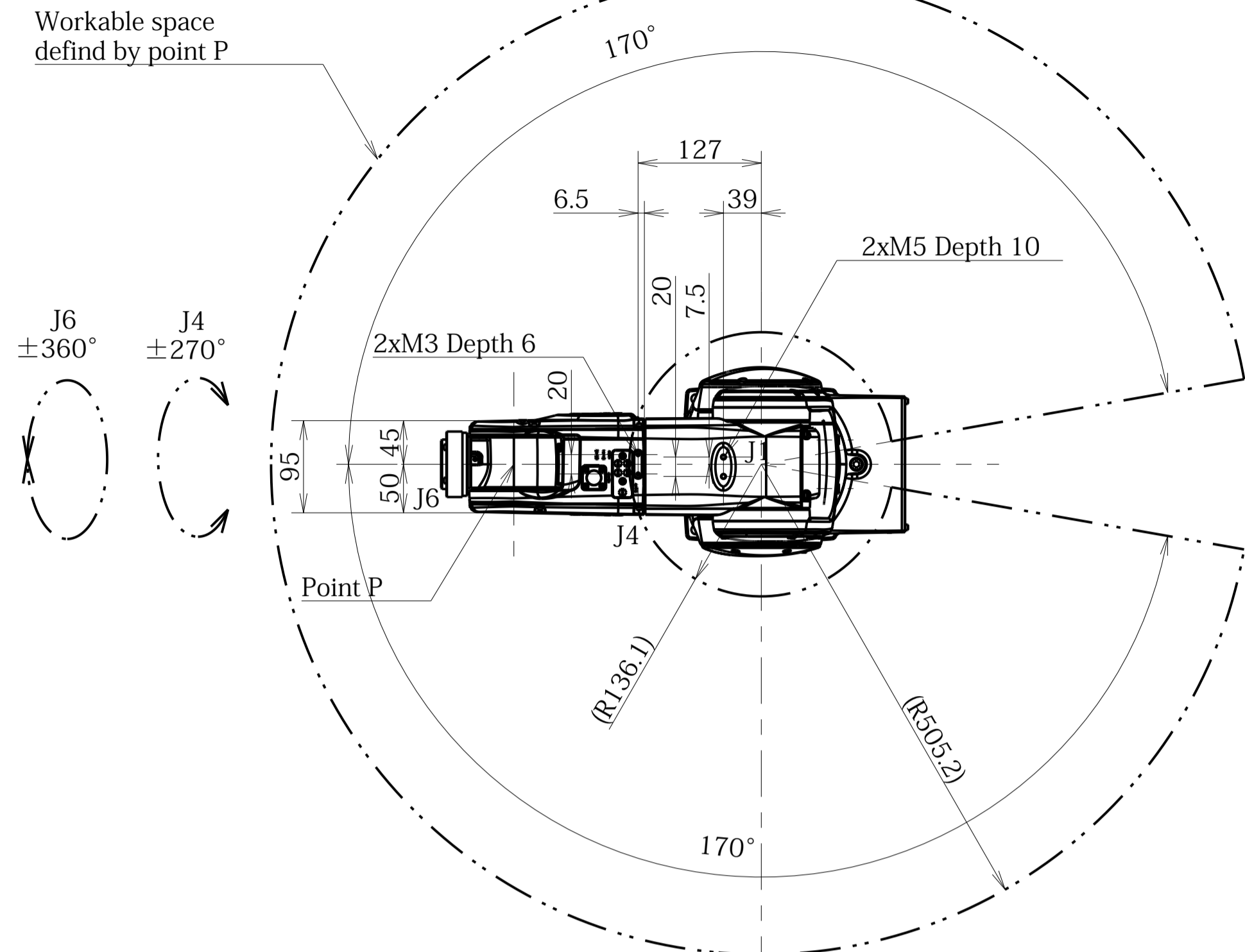
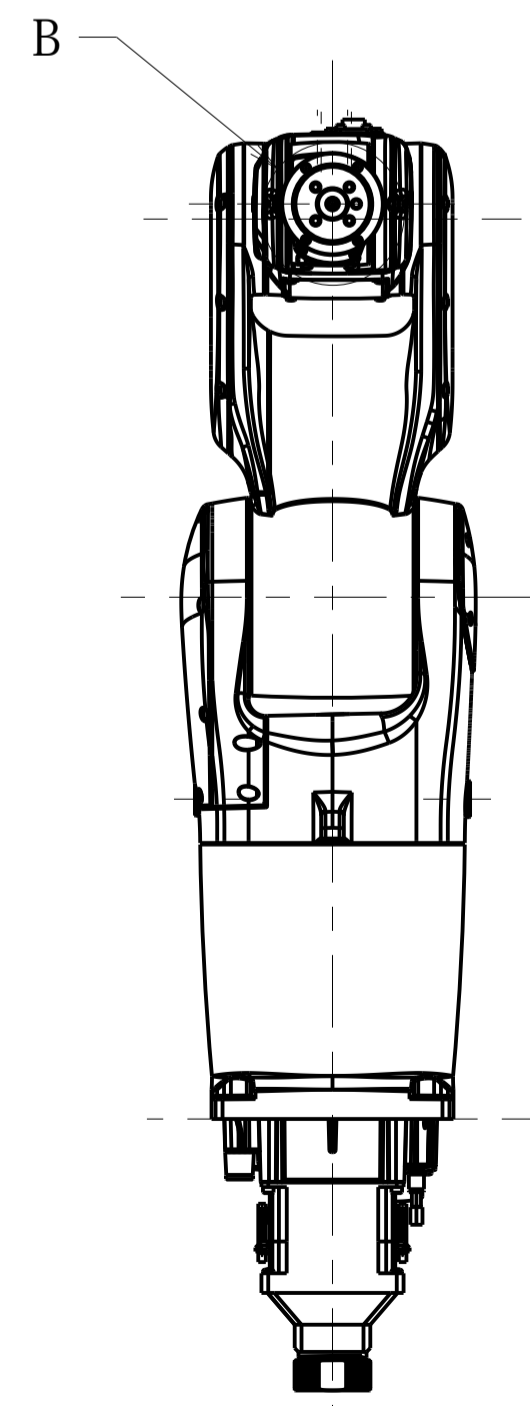
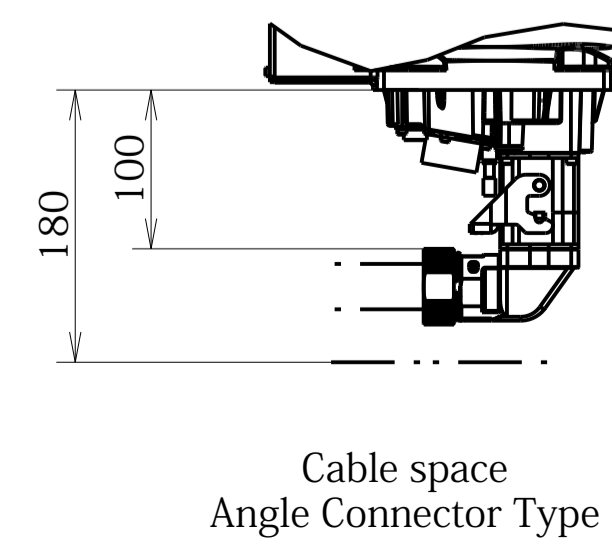
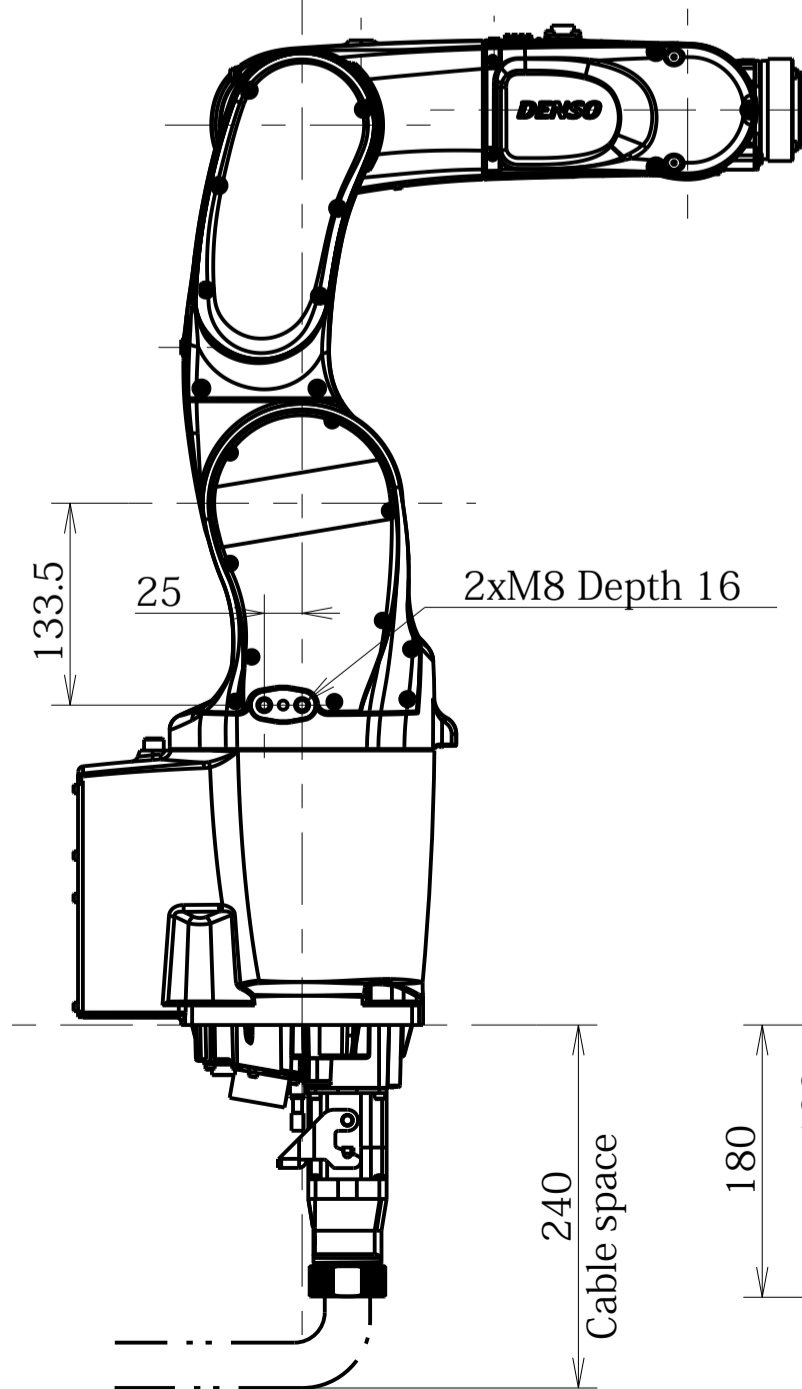
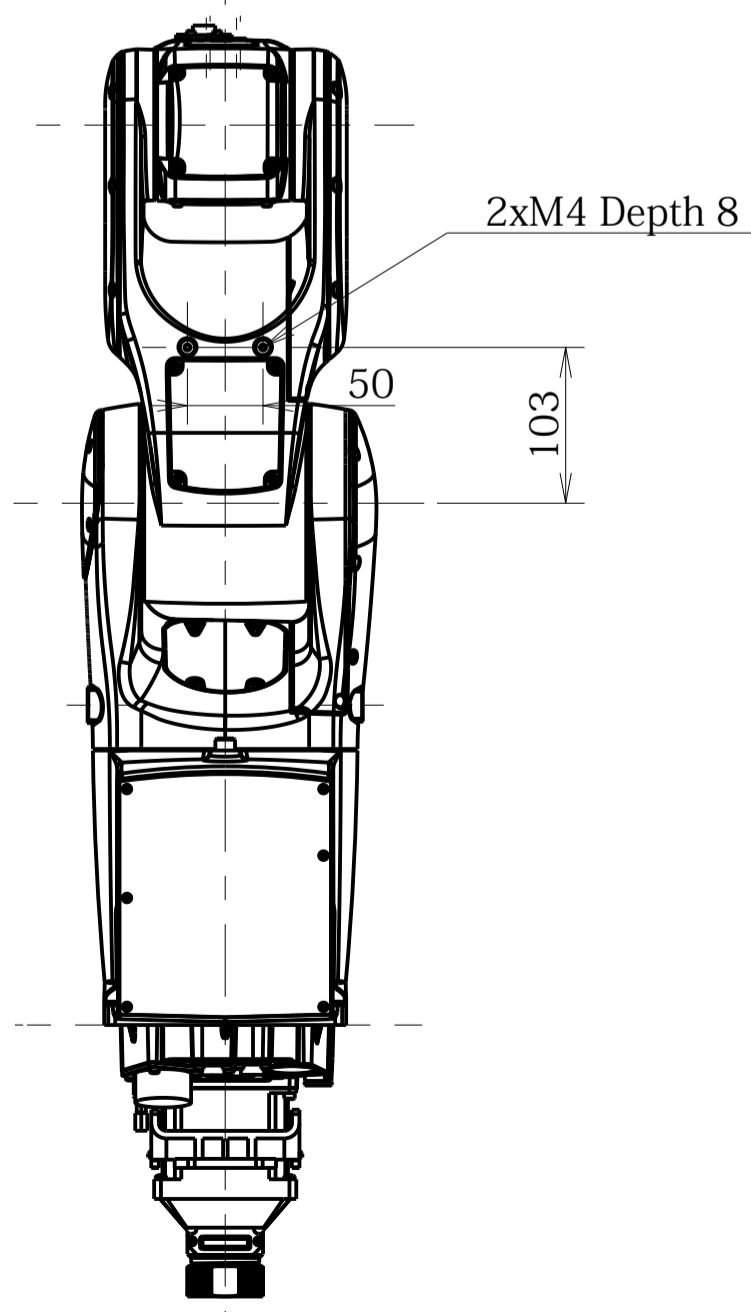
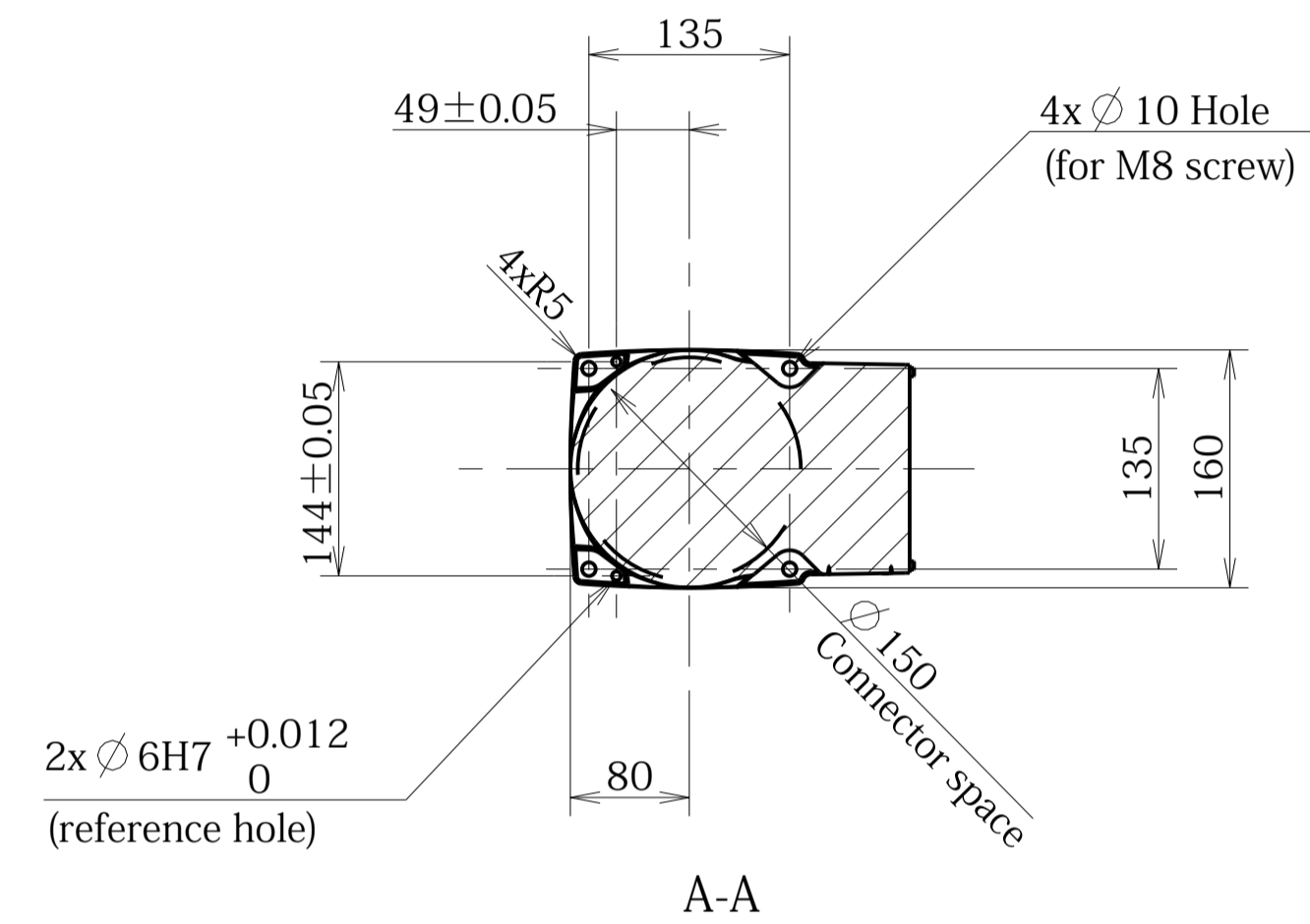


Detailed drawing of end-effector mounting face



Detailed drawing of base mounting face



- J1=±170°
- J2=±120°
- J3=±151°, -120°
- J4=±270°
- J5=±120°
- J6=±360°