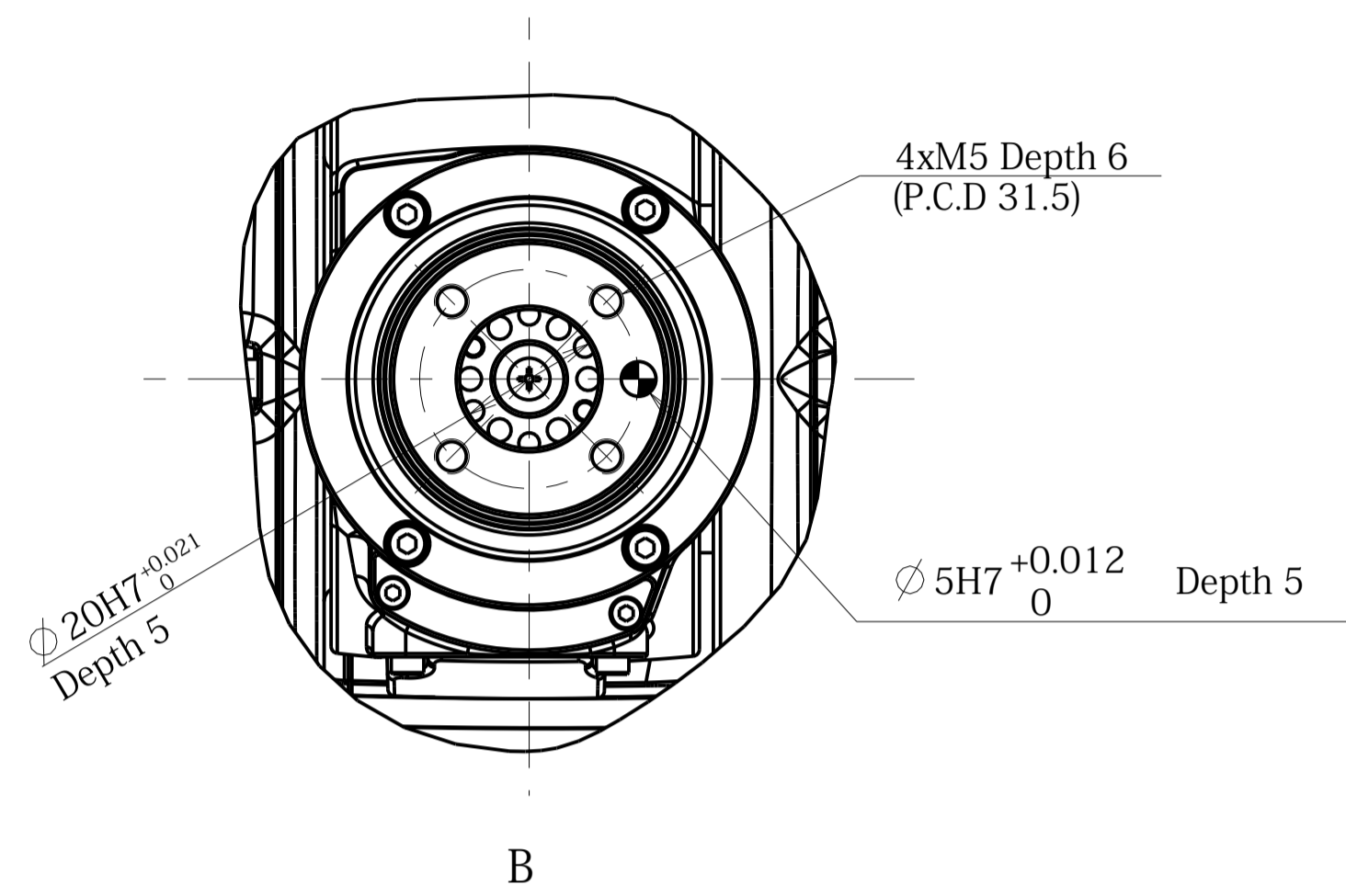


VS-050 (Bottom Connector Panel, Standard Flange, Protected type(IP67))
 410590-3590
 VS-050 (Bottom Connector Panel, Standard Flange, Dust & Mist Proof(IP54(Wrist:IP65)))
 410590-3610

Detailed drawing of end-effector mounting face



Detailed drawing of base mounting face

