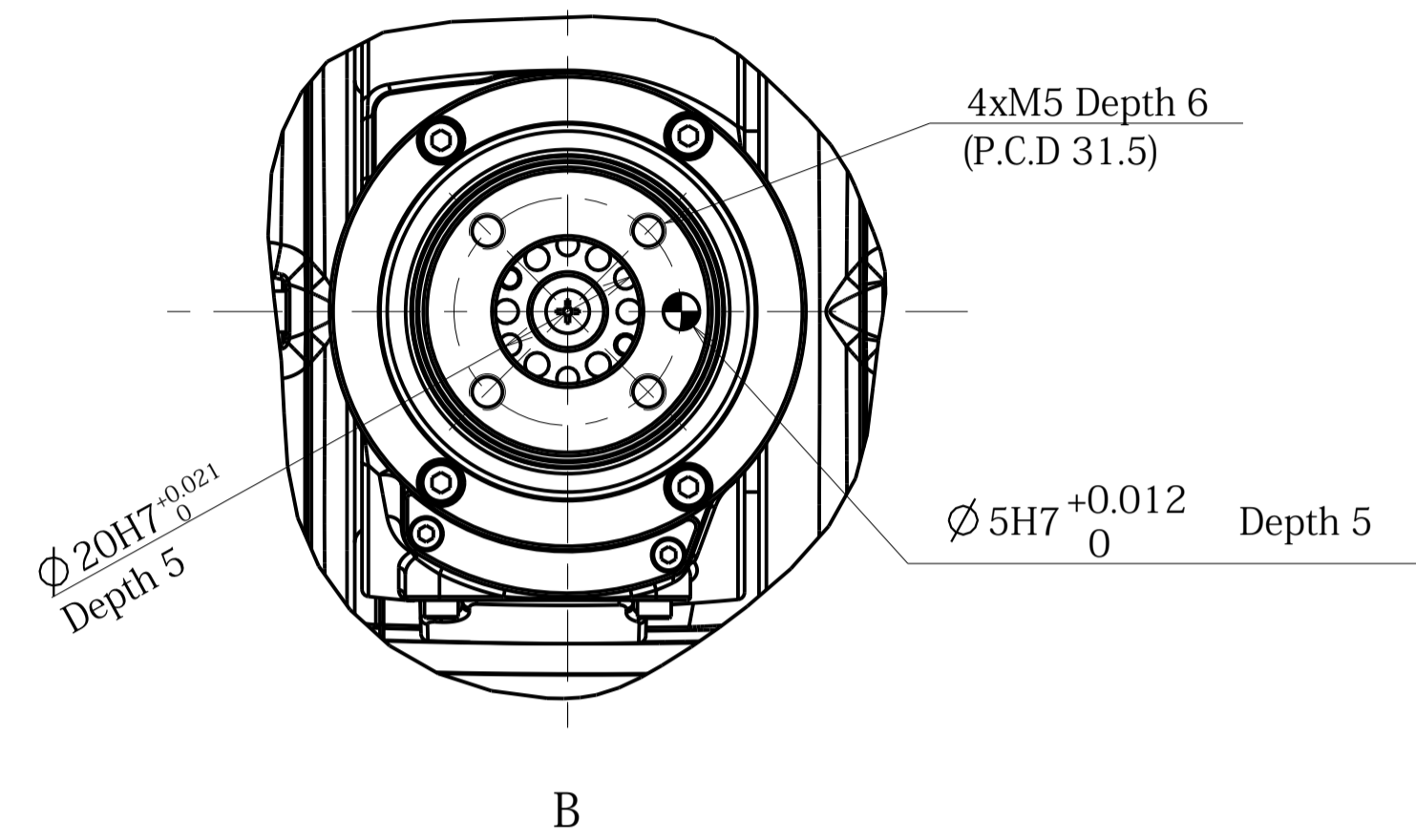
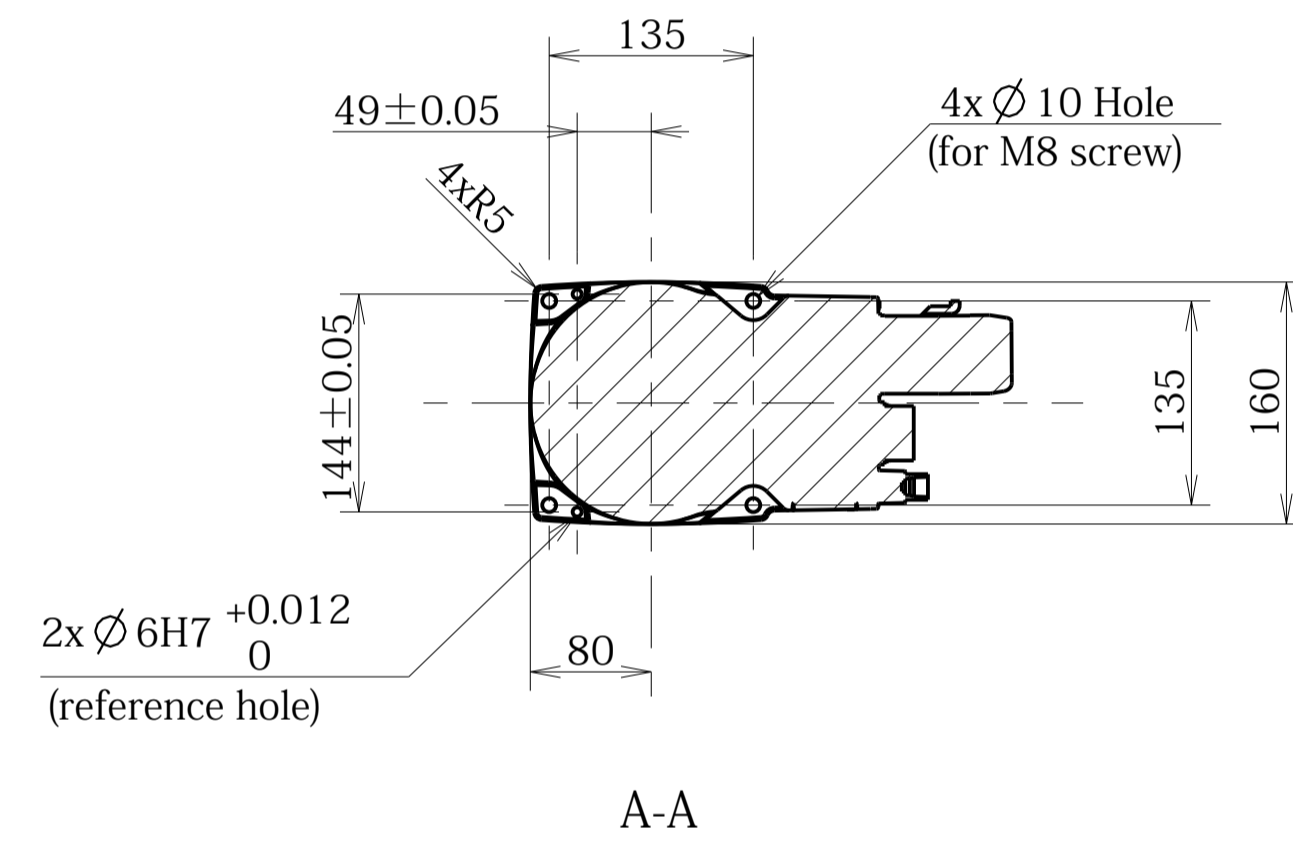


VS-050 (Rear Connector Panel, Standard Flange, Protected type(IP67))  
 410590-3330  
 VS-050 (Rear Connector Panel, Standard Flange, Dust & Mistproof (IP54(Wrist:IP65)))  
 410590-3450

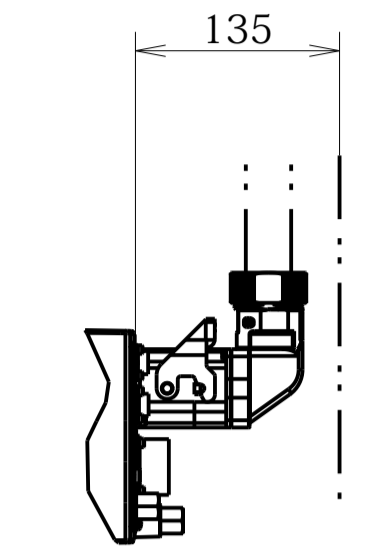
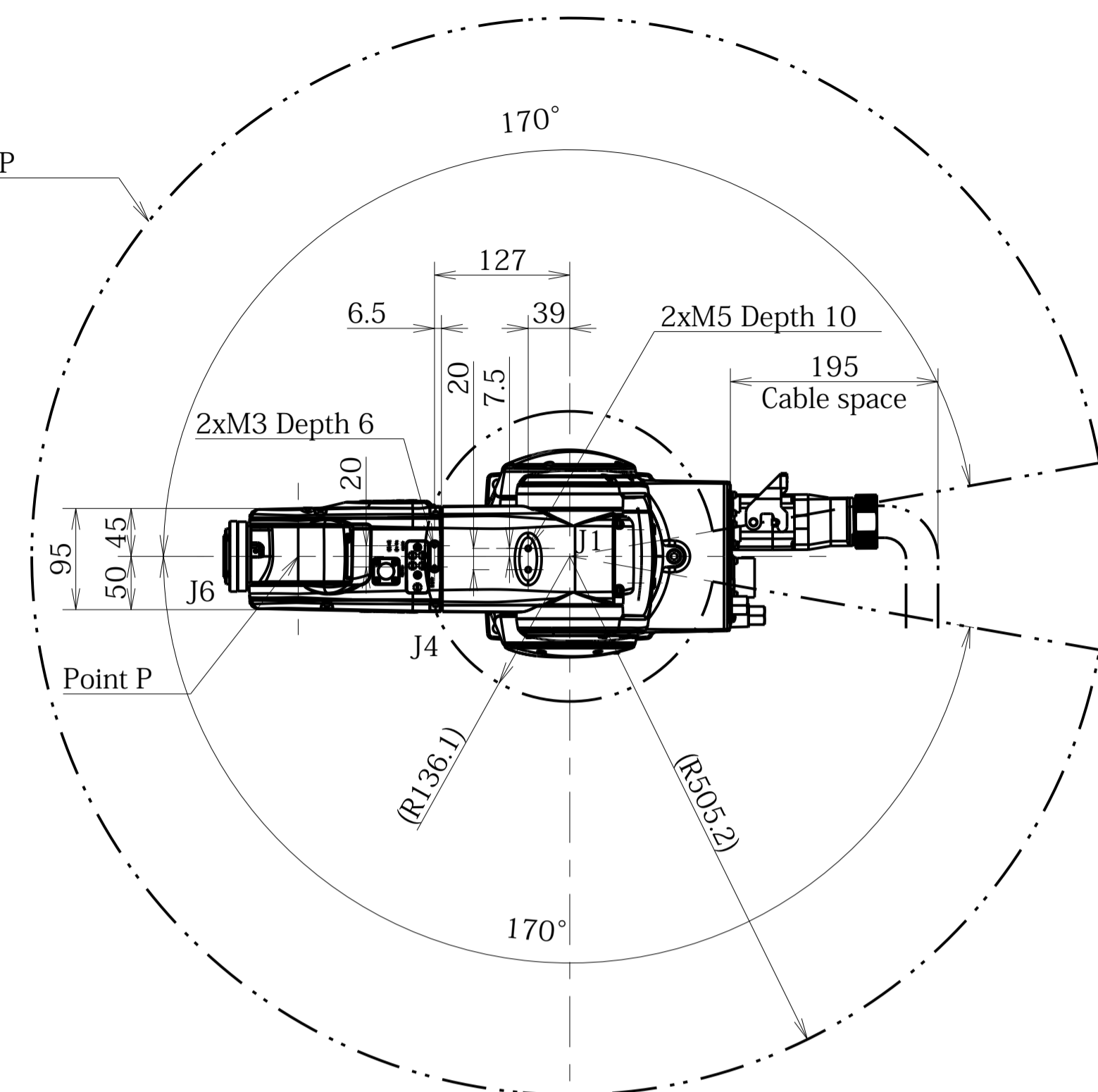
Detailed drawing of end-effector mounting face



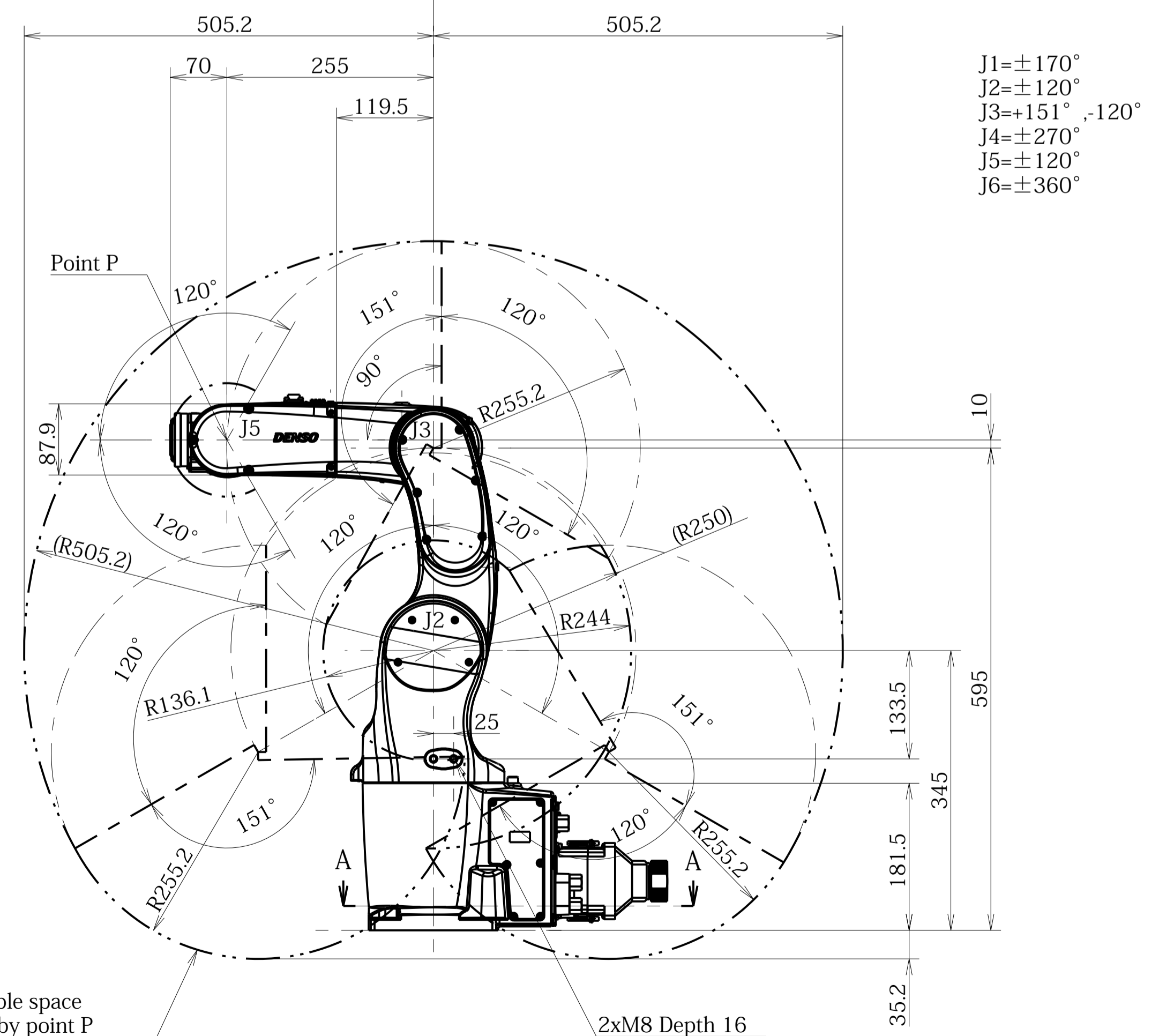
Detailed drawing of base mounting face



Workable space  
 defin by point P



Cable space  
 Angle Connector Type



Workable space  
 defin by point P

