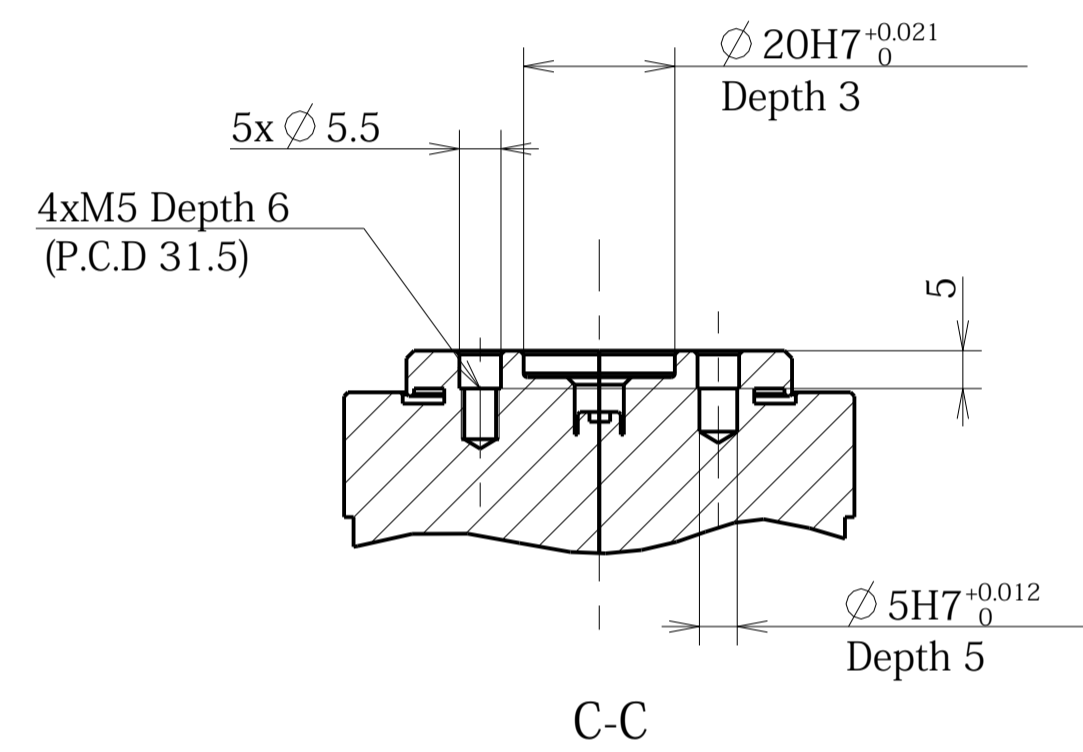
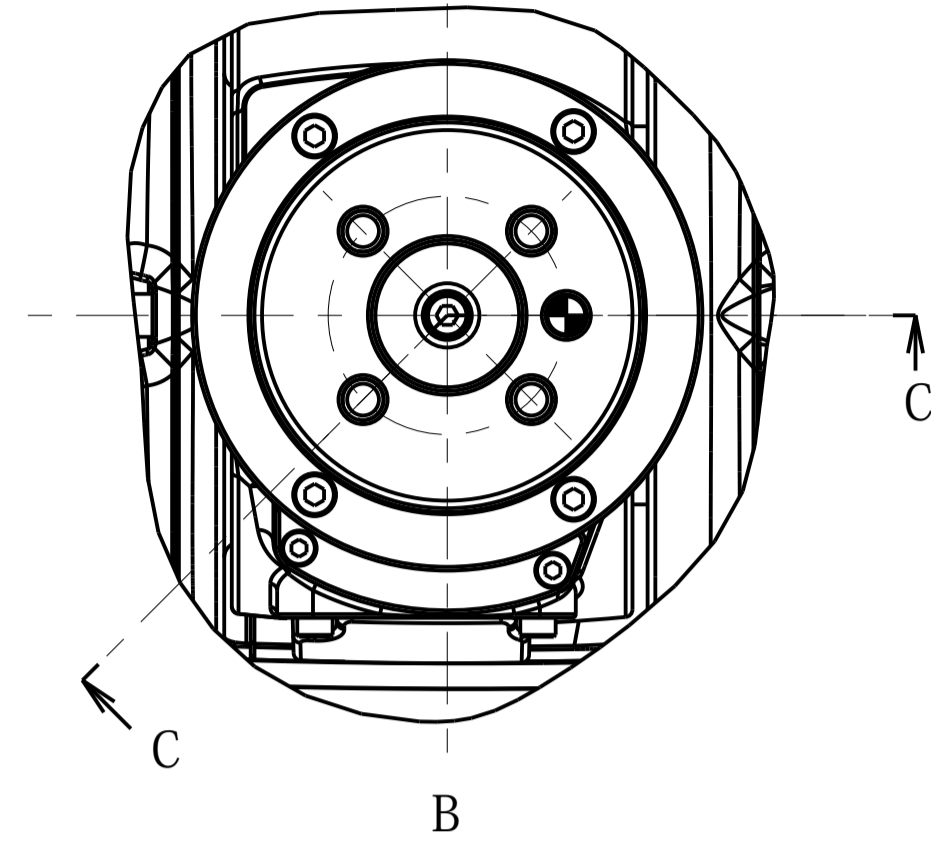
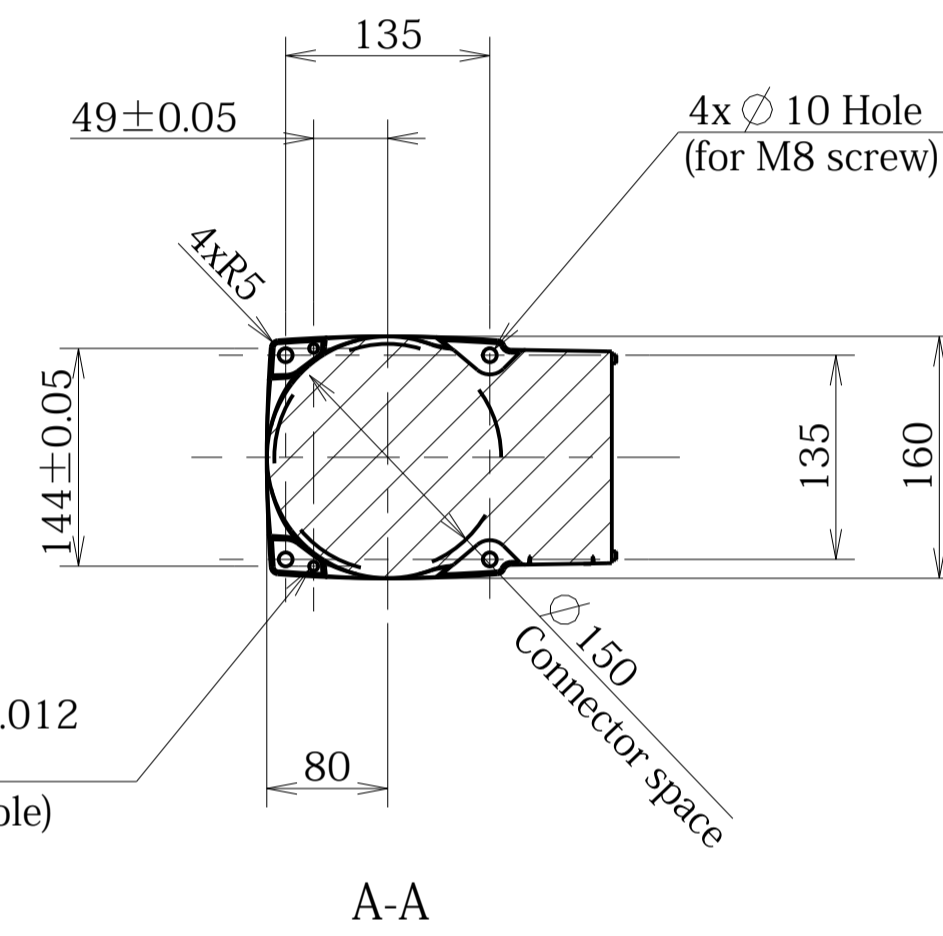


Detailed drawing of end-effector mounting face

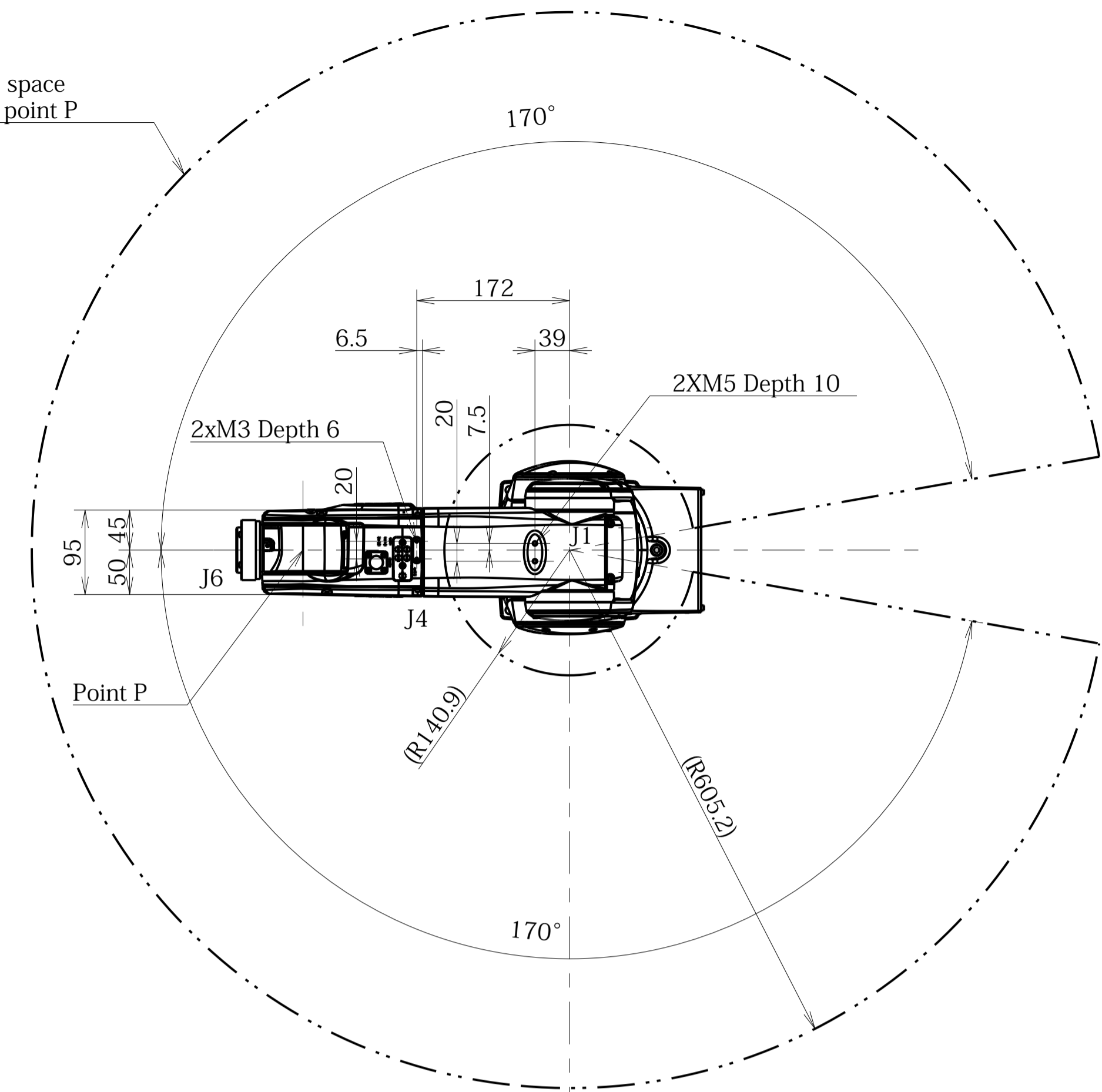


Detailed drawing of base mounting face

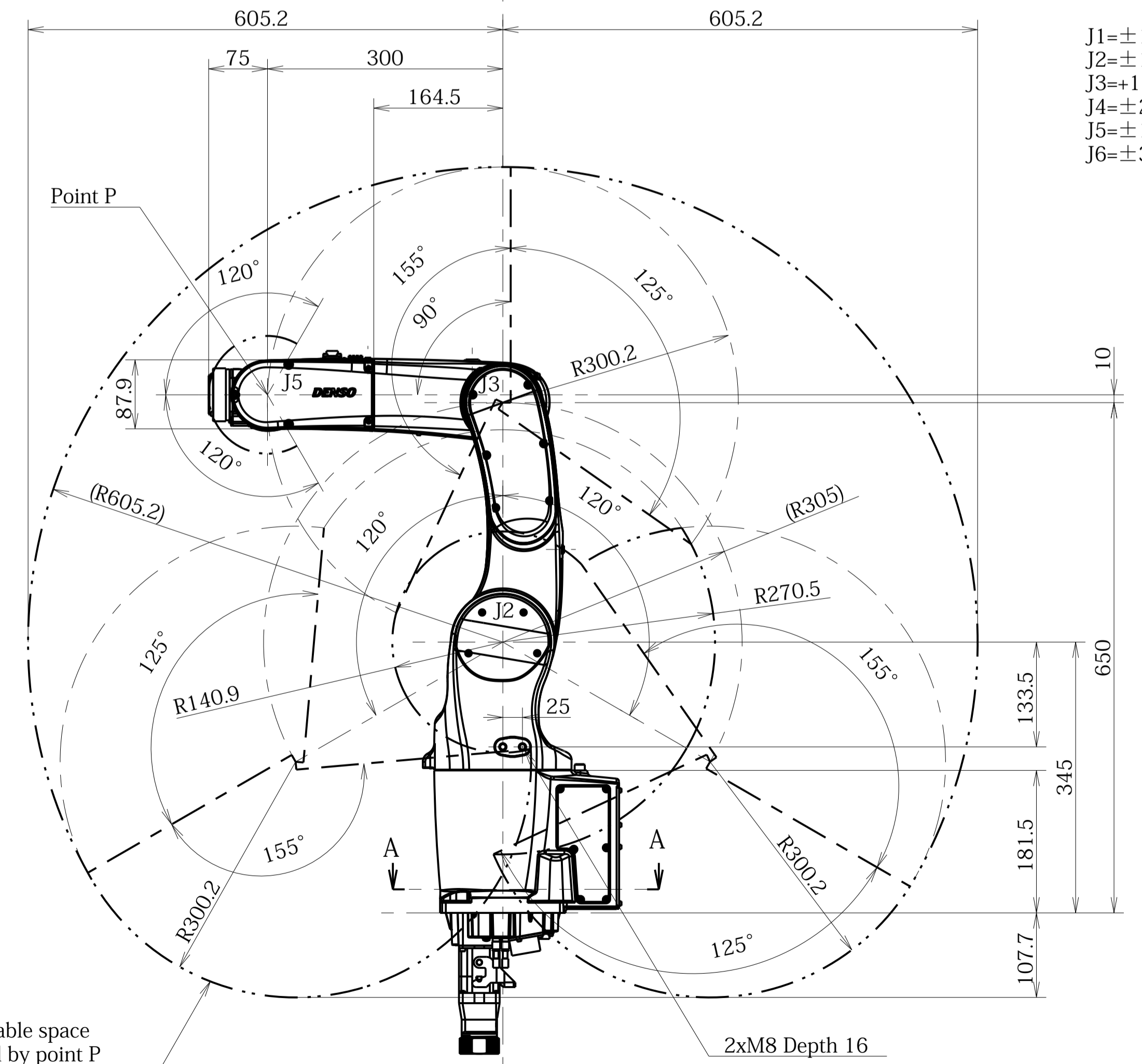
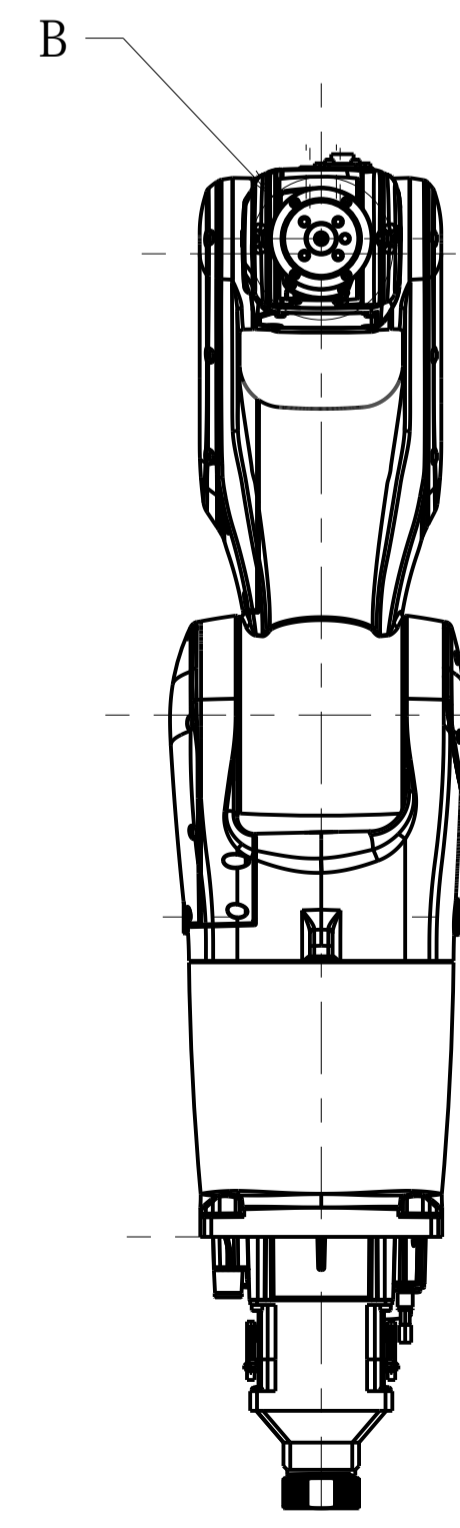
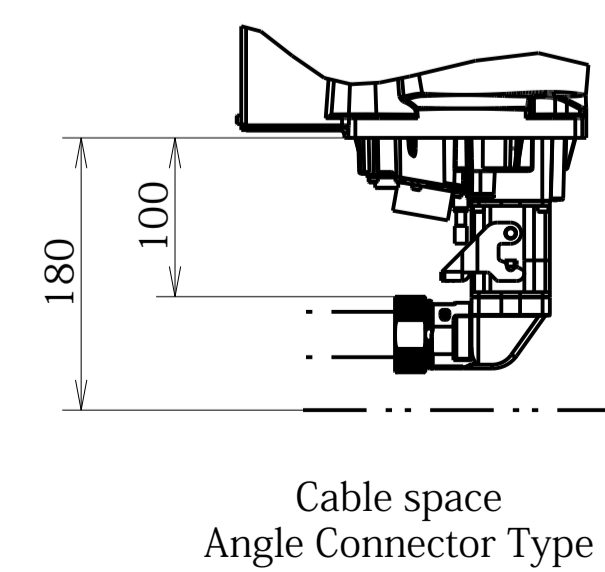
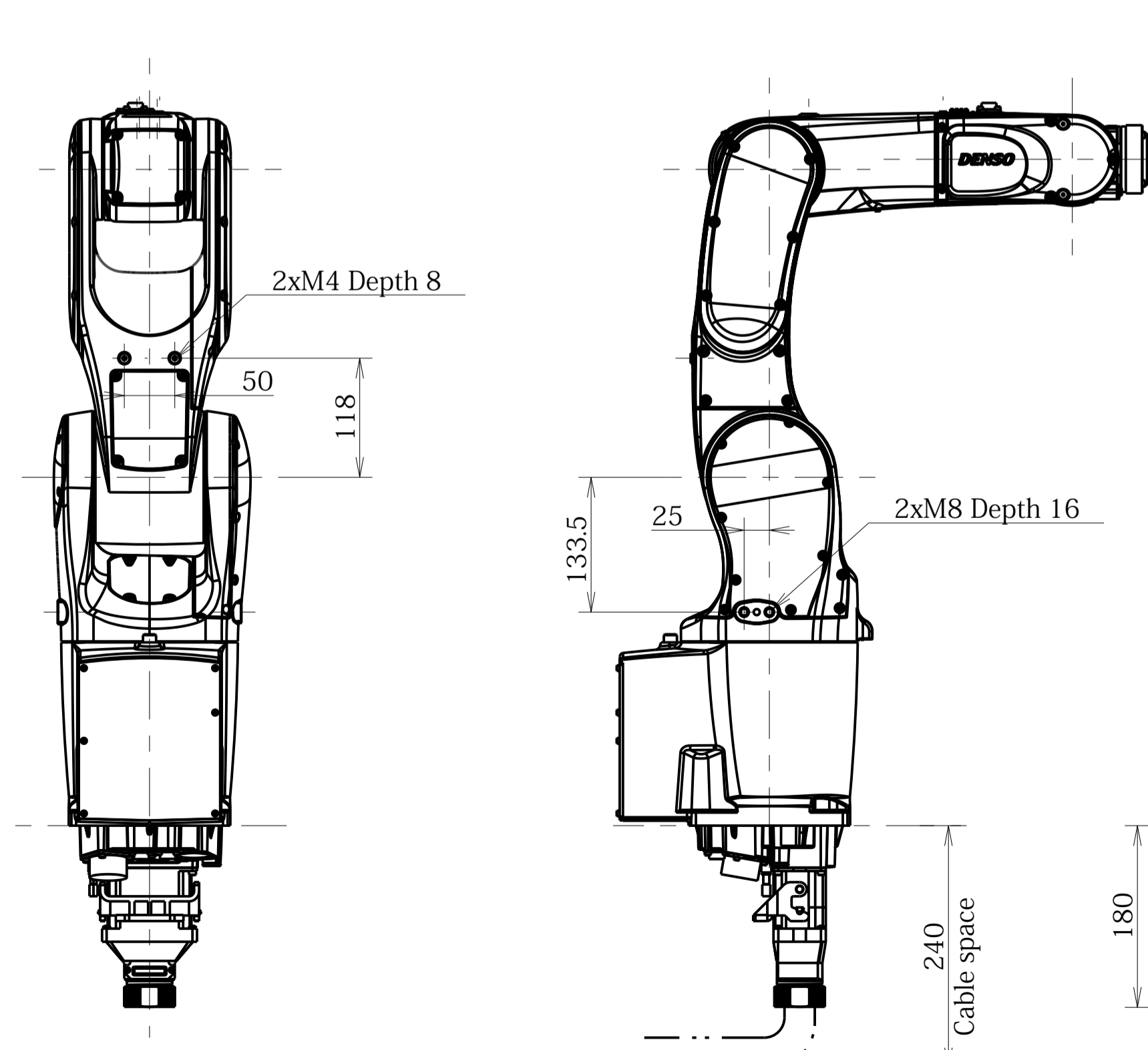


2x Ø 6H7 +0.012/0
 (reference hole)

Workable space
 defined by point P



J1=±170°
 J2=±120°
 J3=+155°, -125°
 J4=±270°
 J5=±120°
 J6=±360°



Workable space
 defined by point P