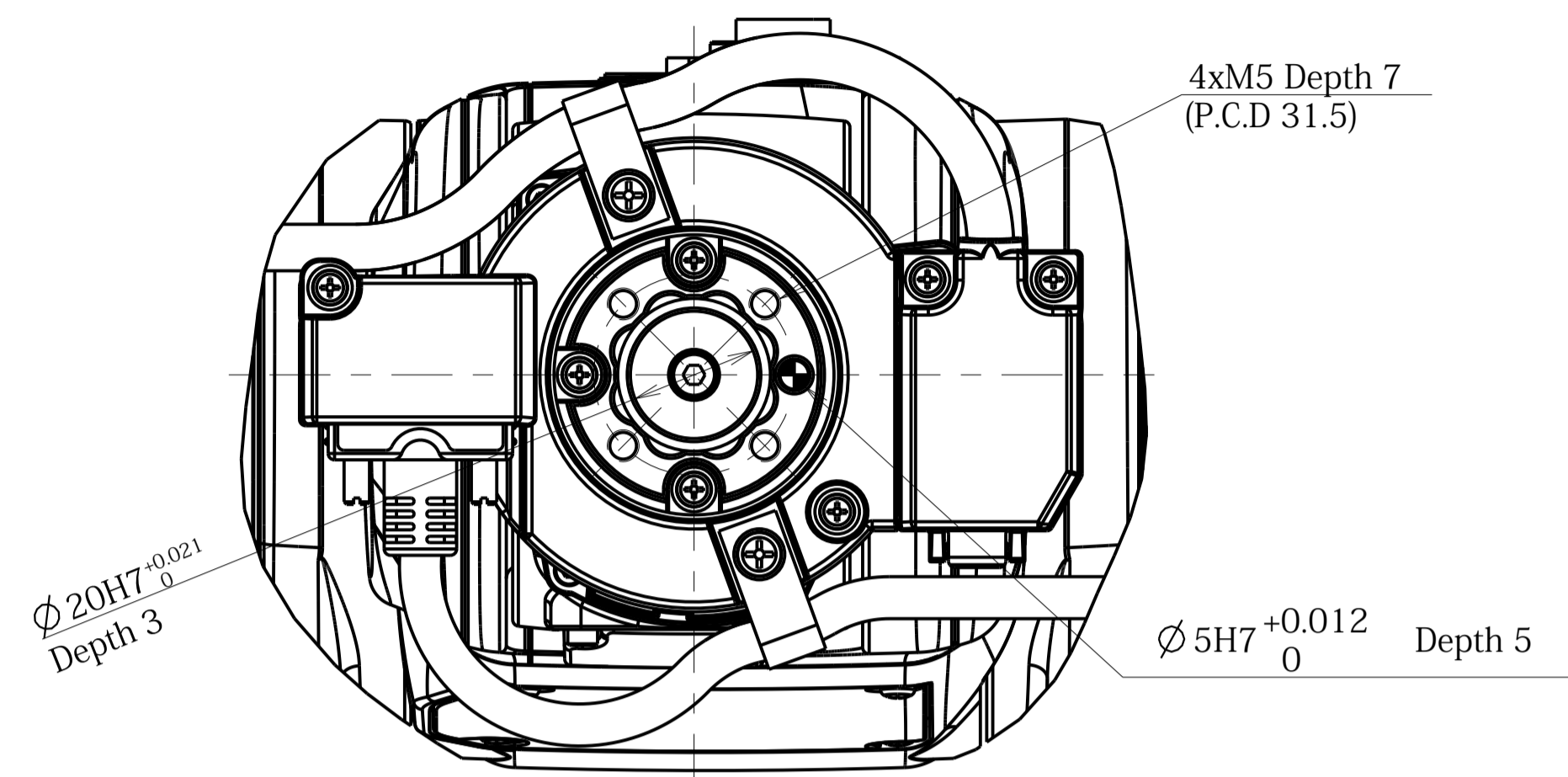
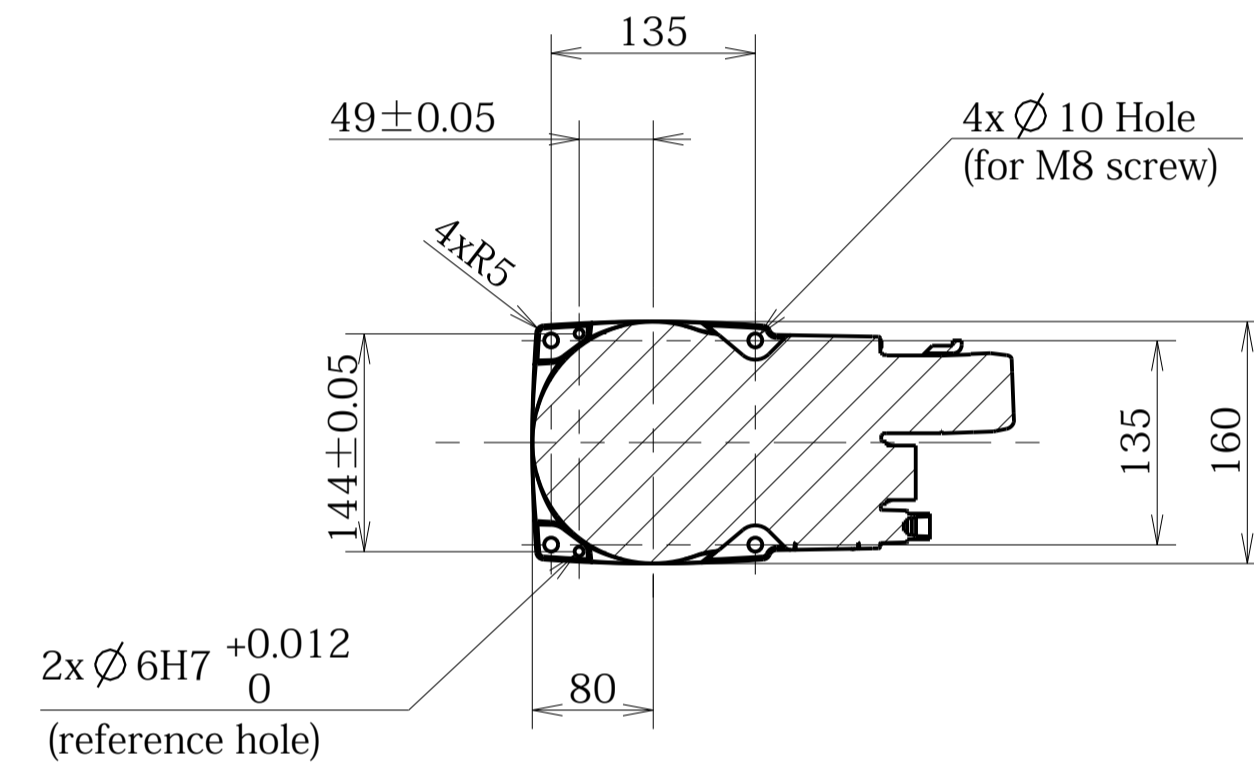


Detailed drawing of end-effector mounting face



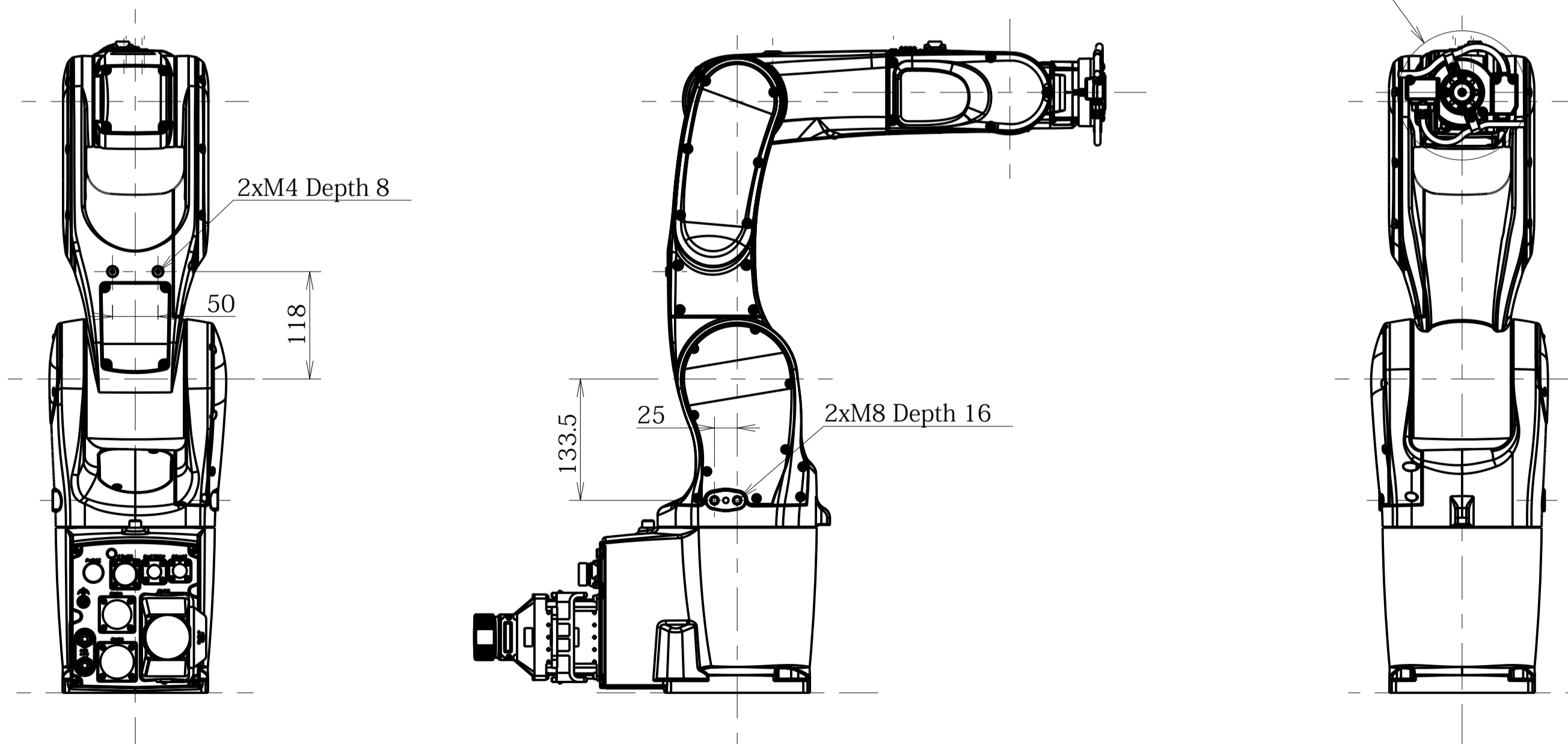
B

Detailed drawing of base mounting face



A-A

B



Workable space  
definid by point P

