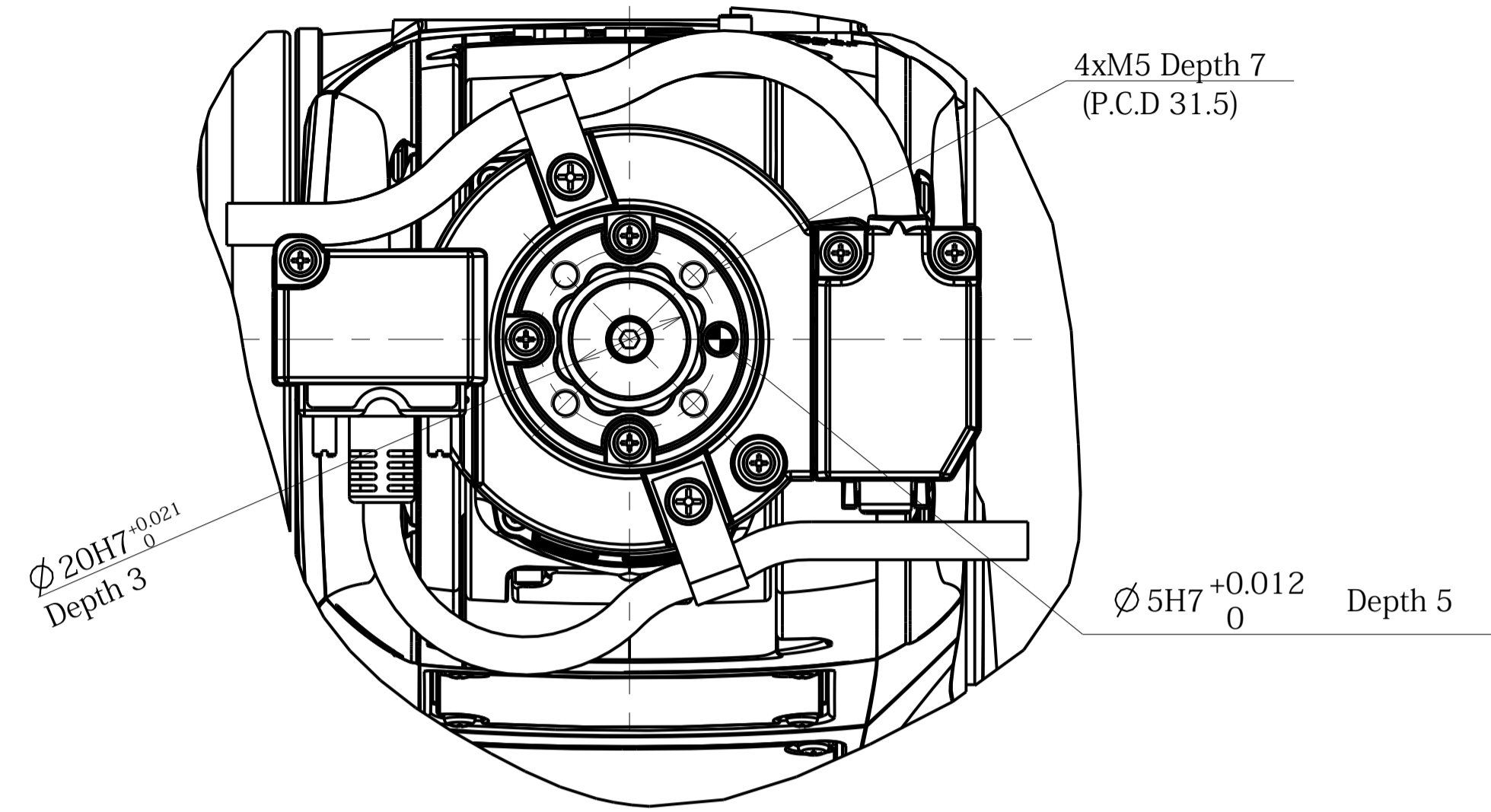
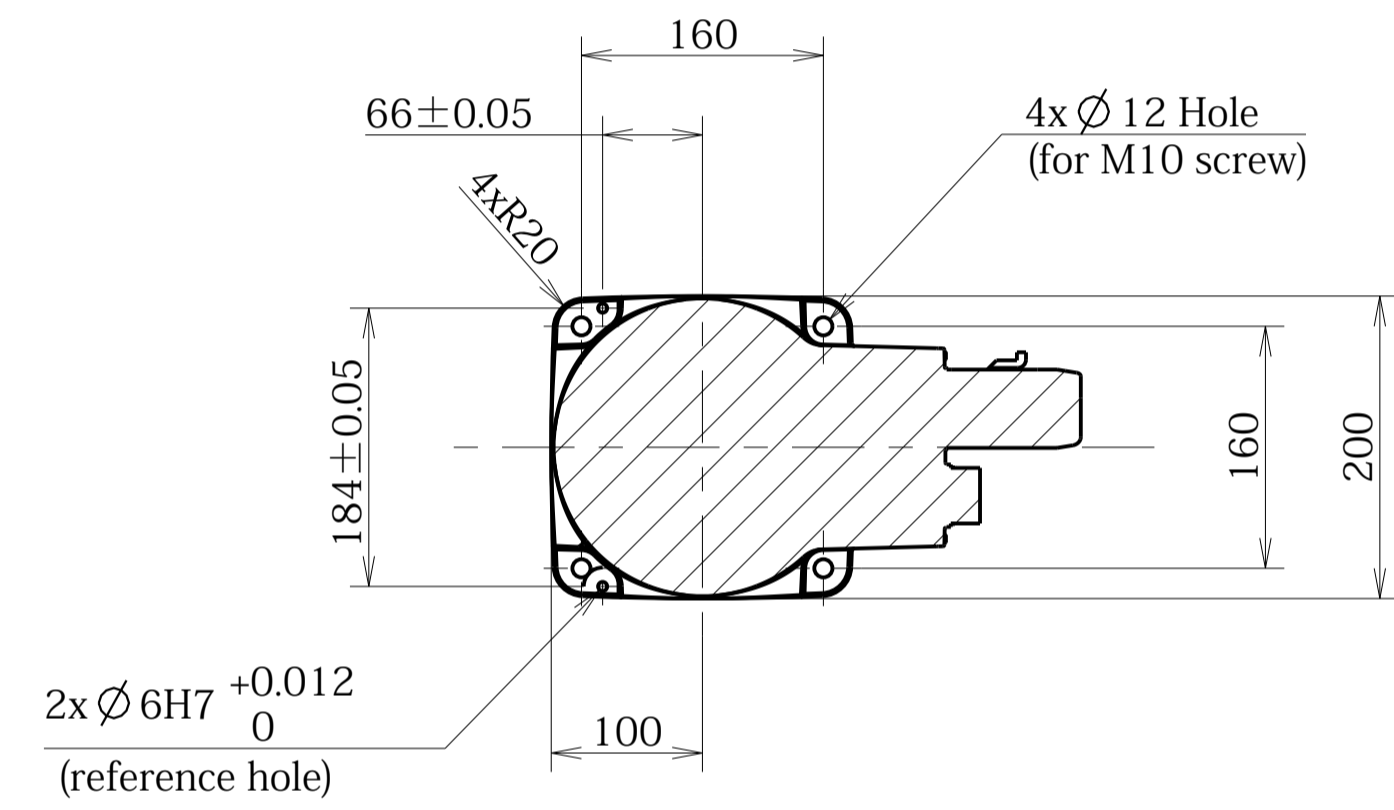


Detailed drawing of end-effector mounting face



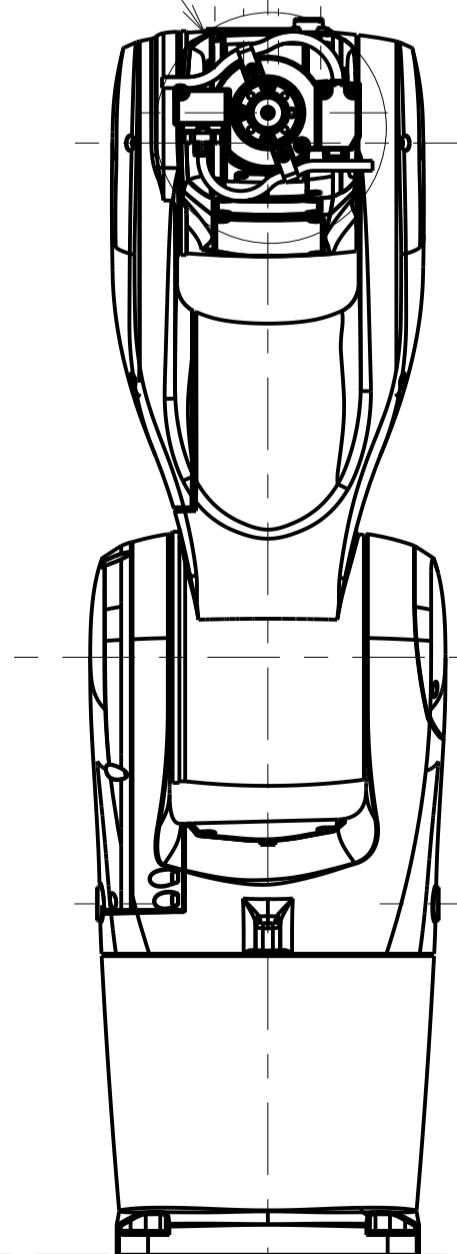
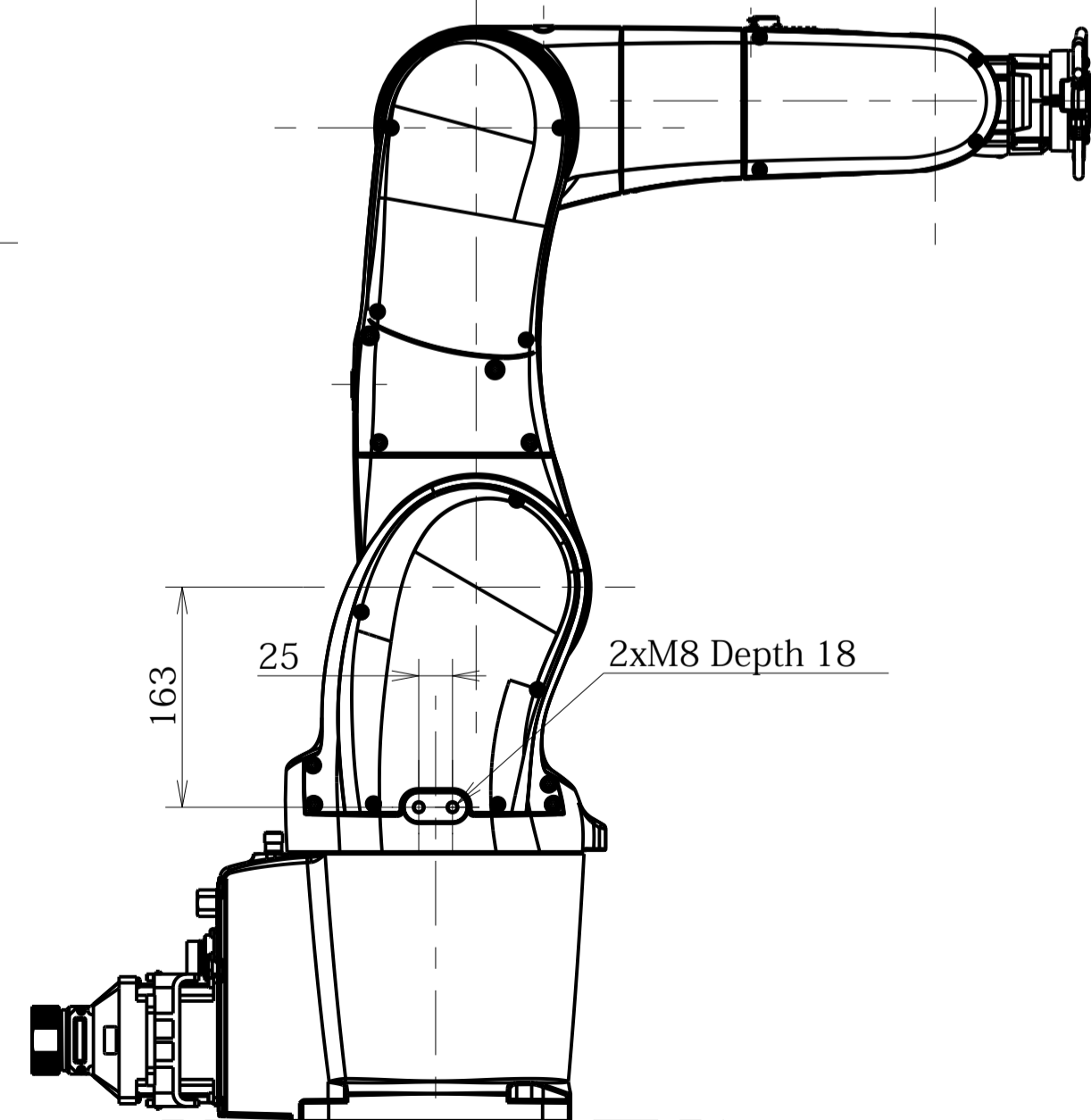
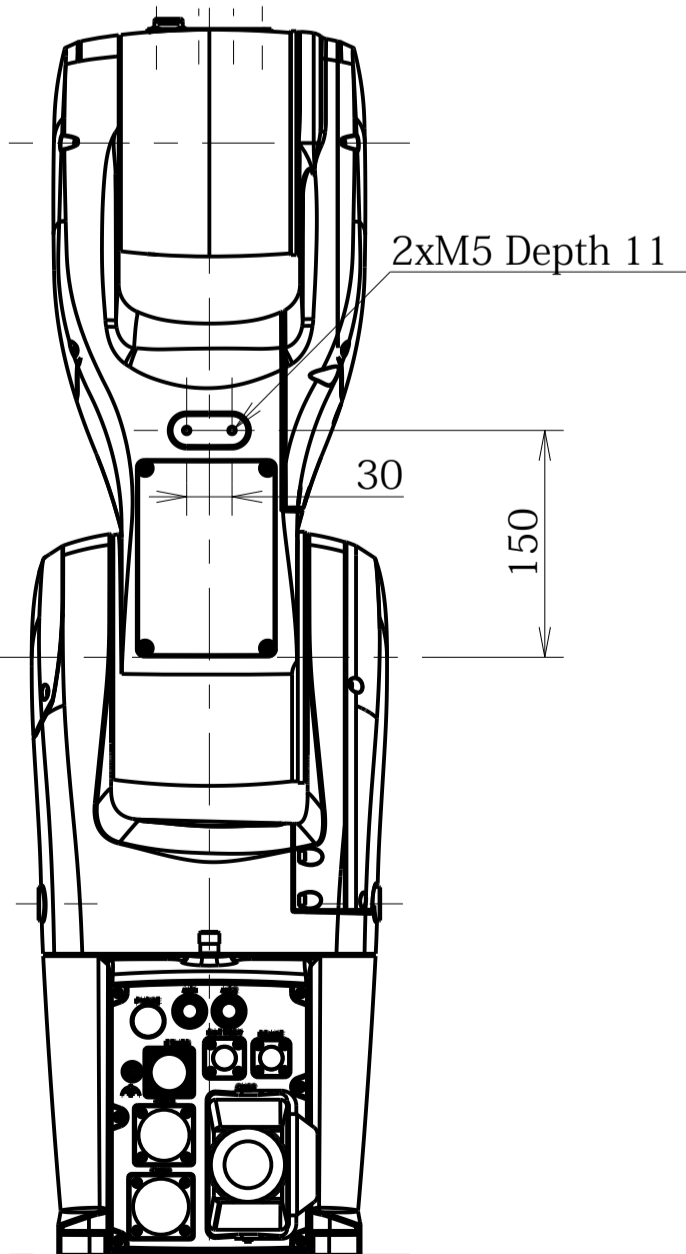
B

Detailed drawing of base mounting face

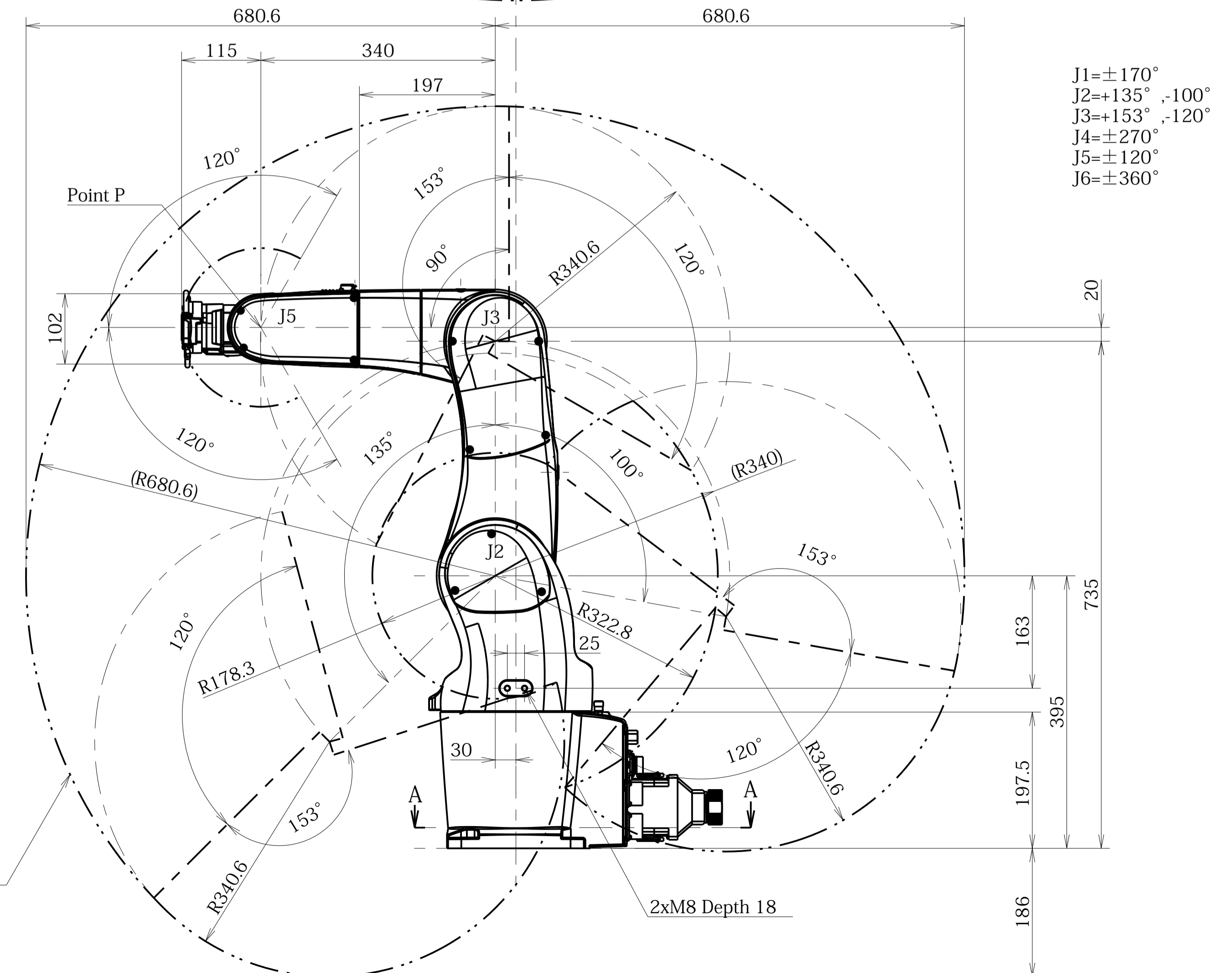
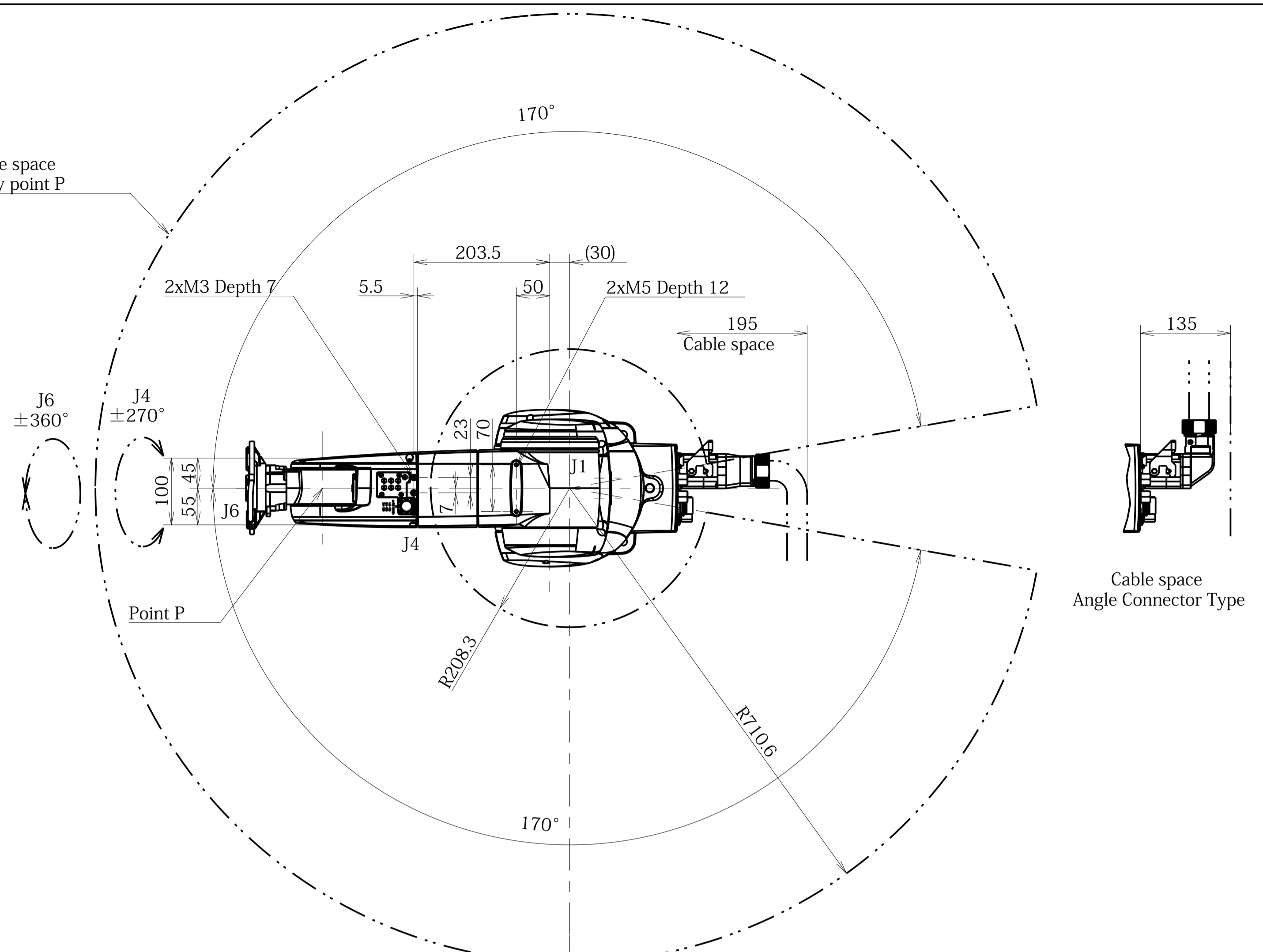


A-A

B



Workable space
defined by point P



Workable space
defined by point P