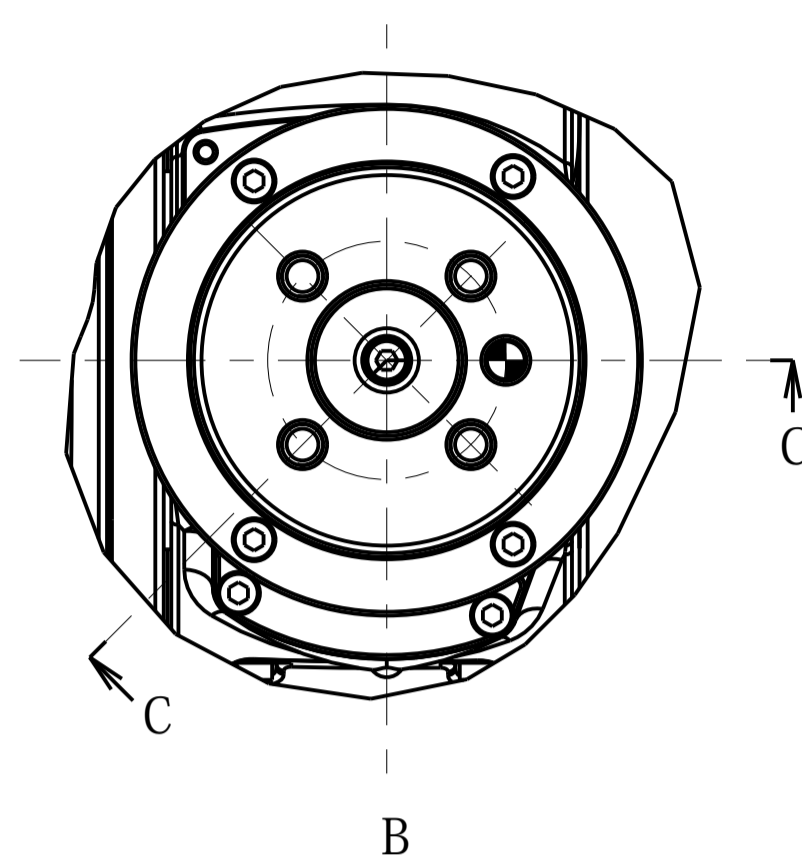
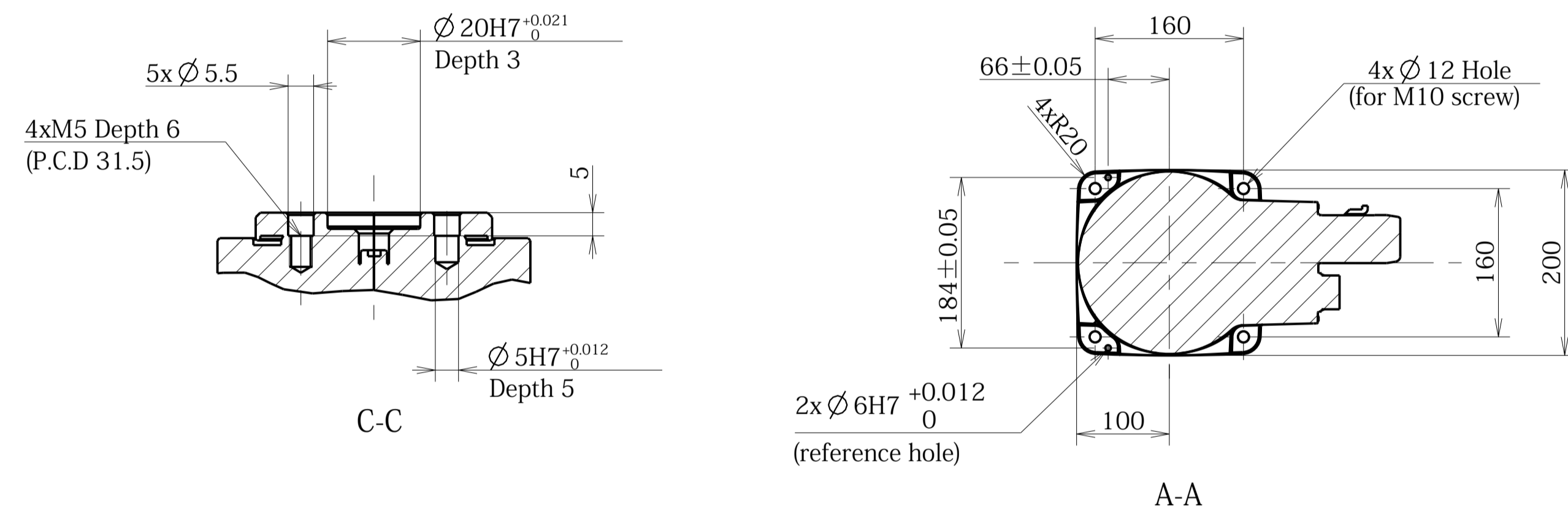


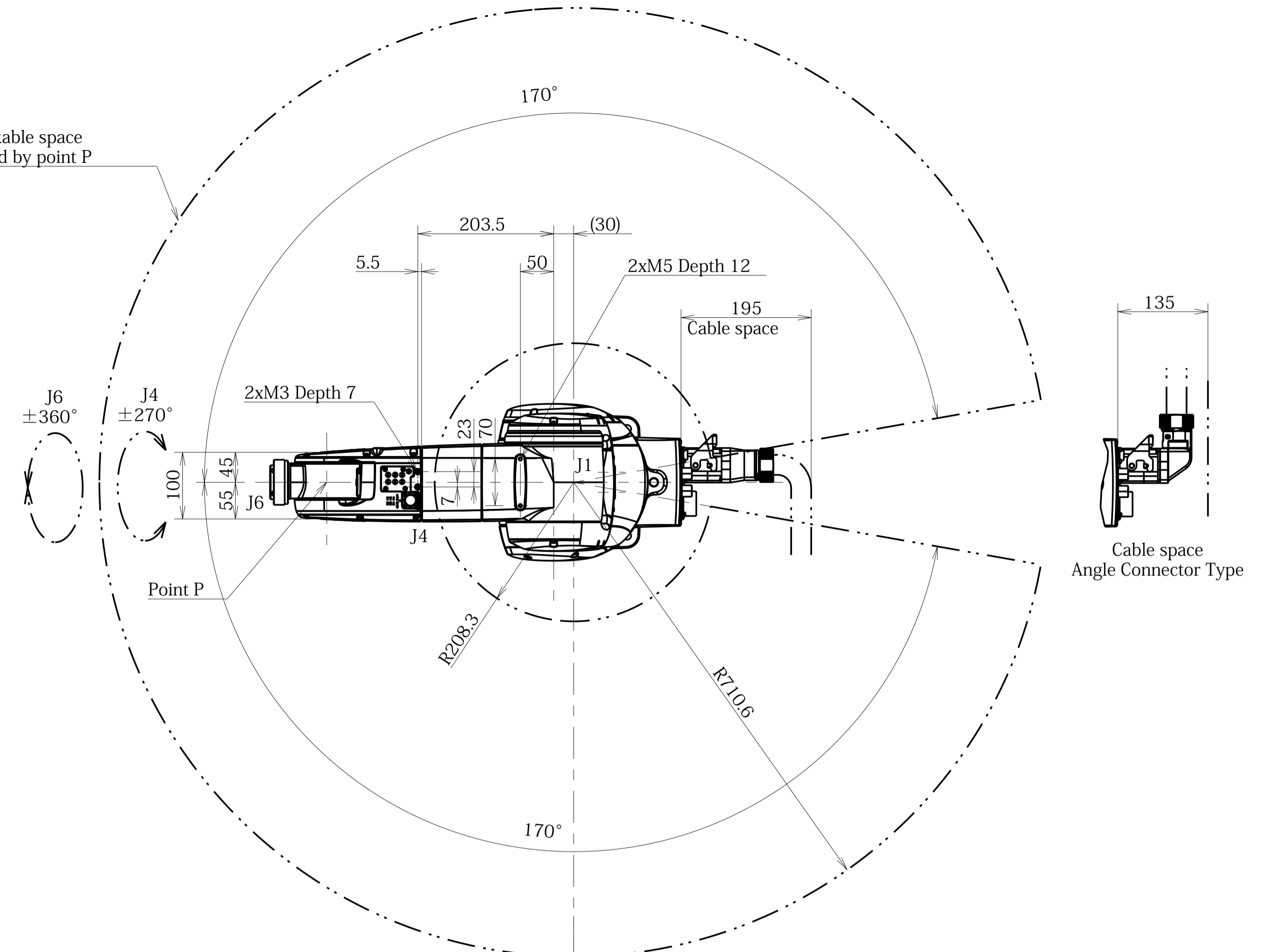
Detailed drawing of end-effector mounting face



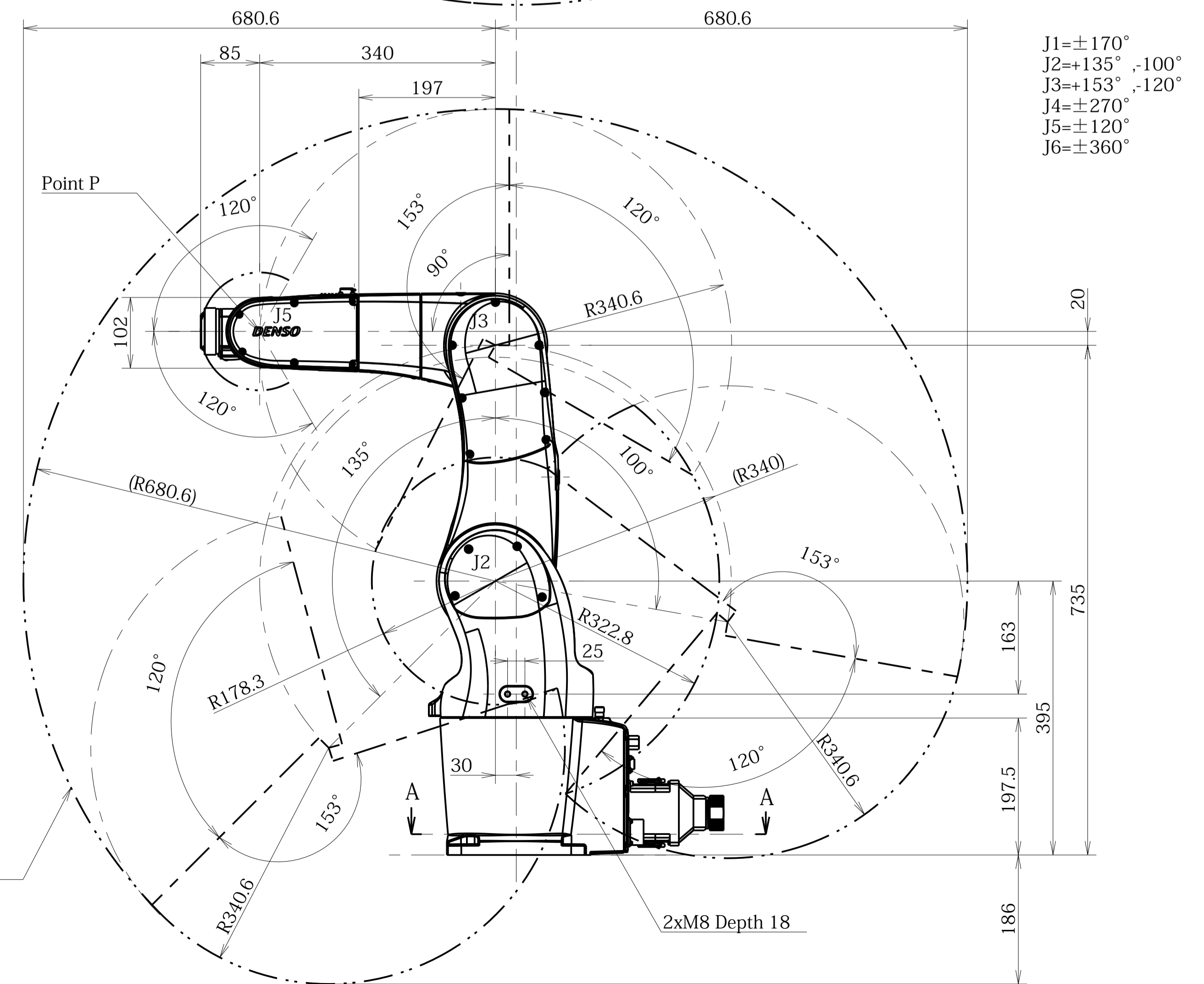
Detailed drawing of base mounting face



Workable space  
 defined by point P



Cable space  
 Angle Connector Type



Workable space  
 defined by point P

