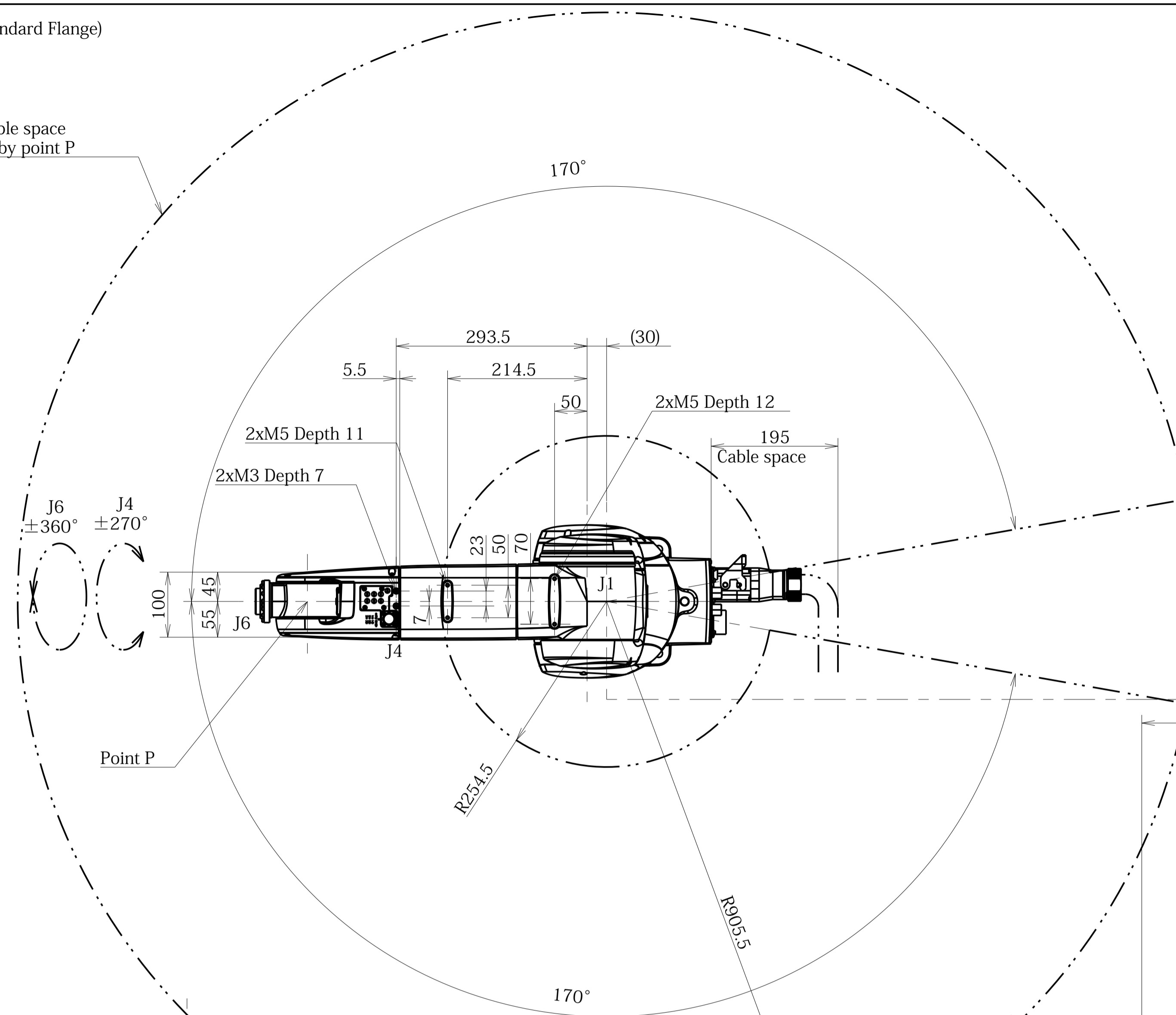
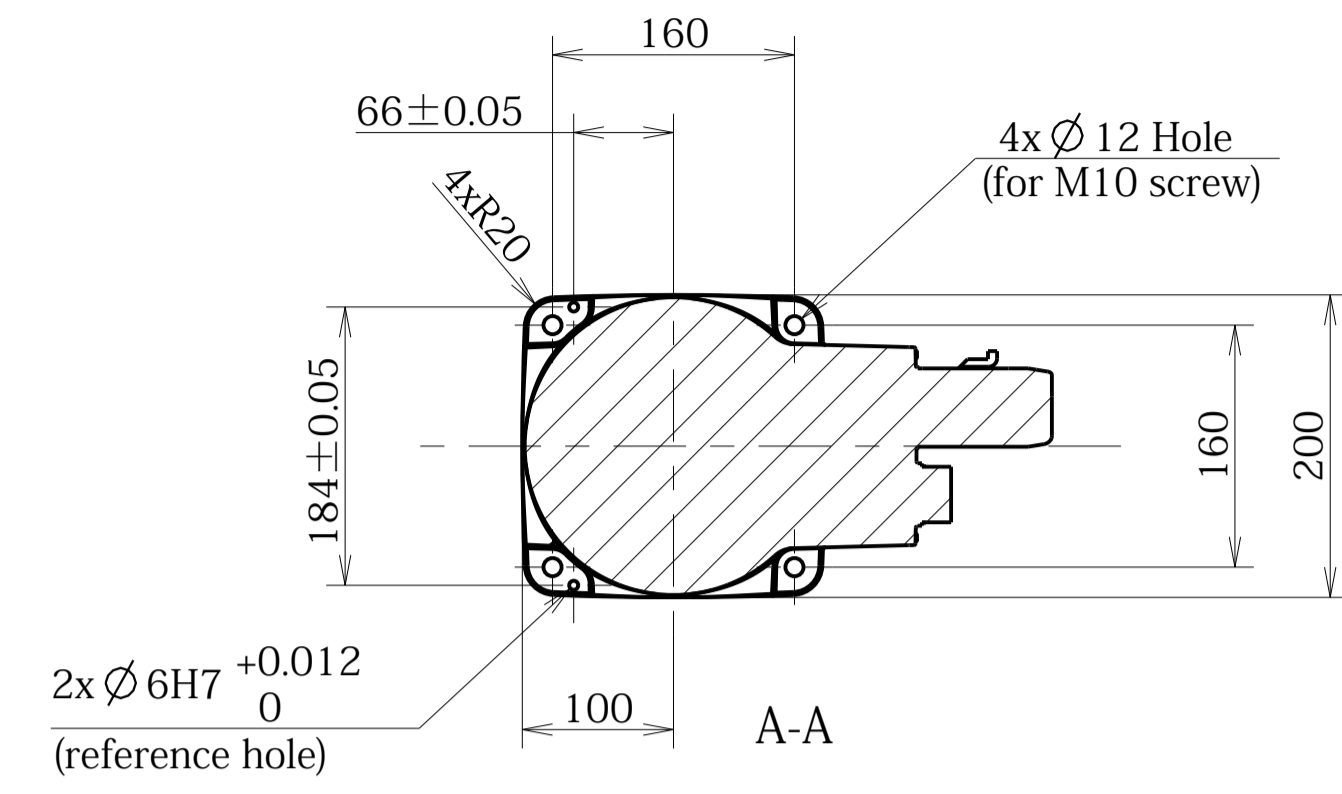


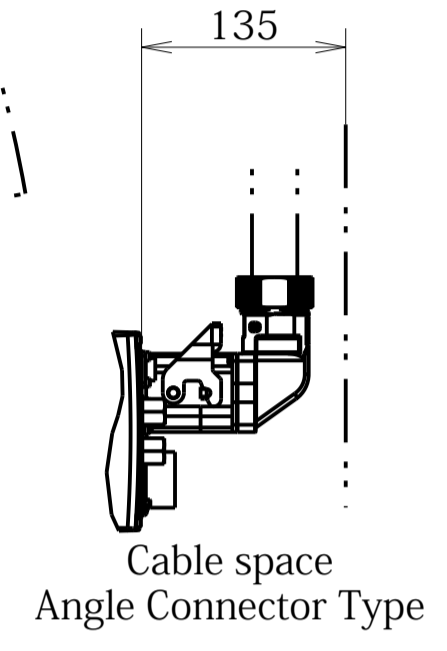
Workable space
definid by point P



Detailed drawing of base mounting face

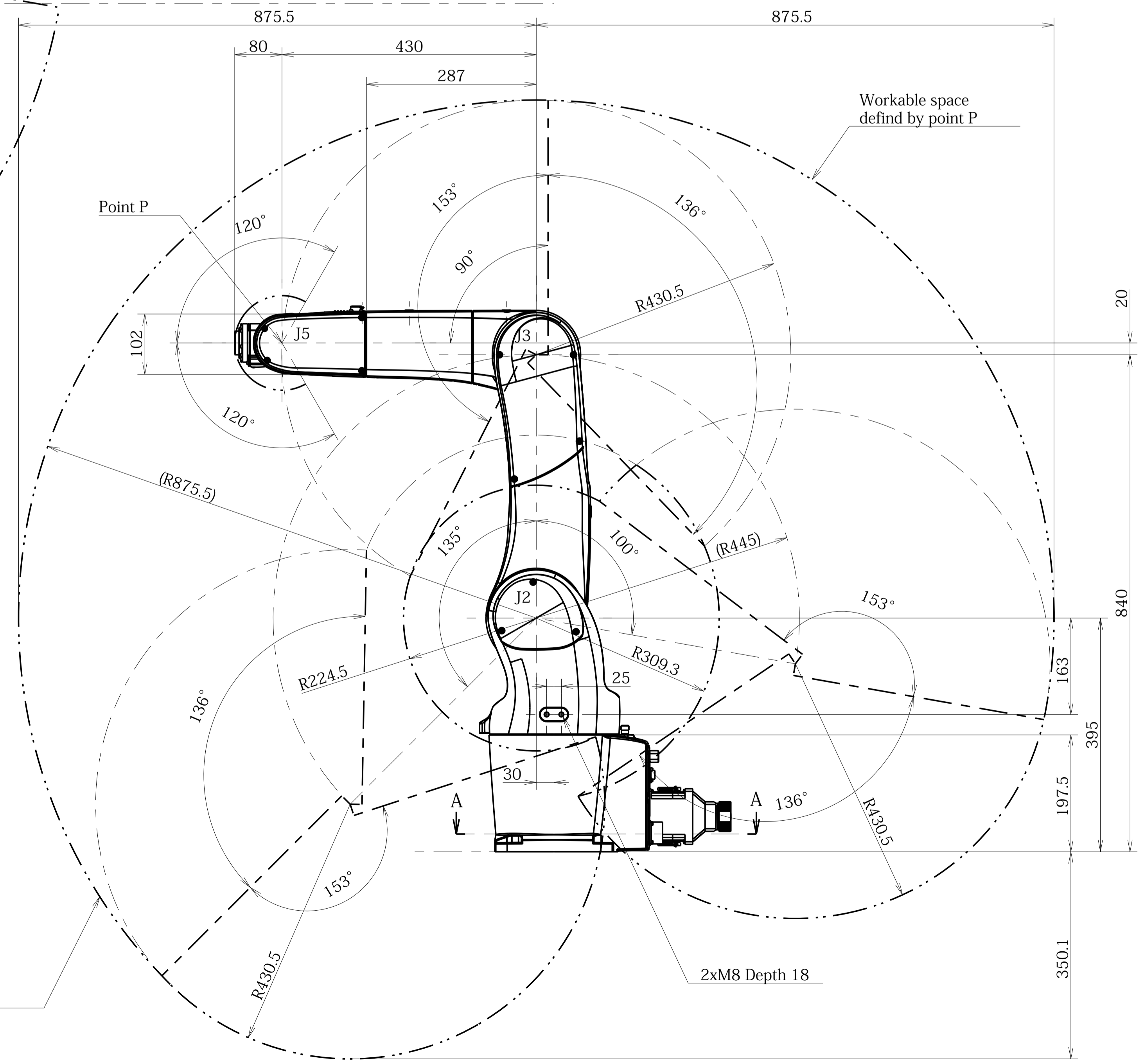


- J1=±170°
- J2=+135° -100°
- J3=+153° -136°
- J4=±270°
- J5=±120°
- J6=±360°

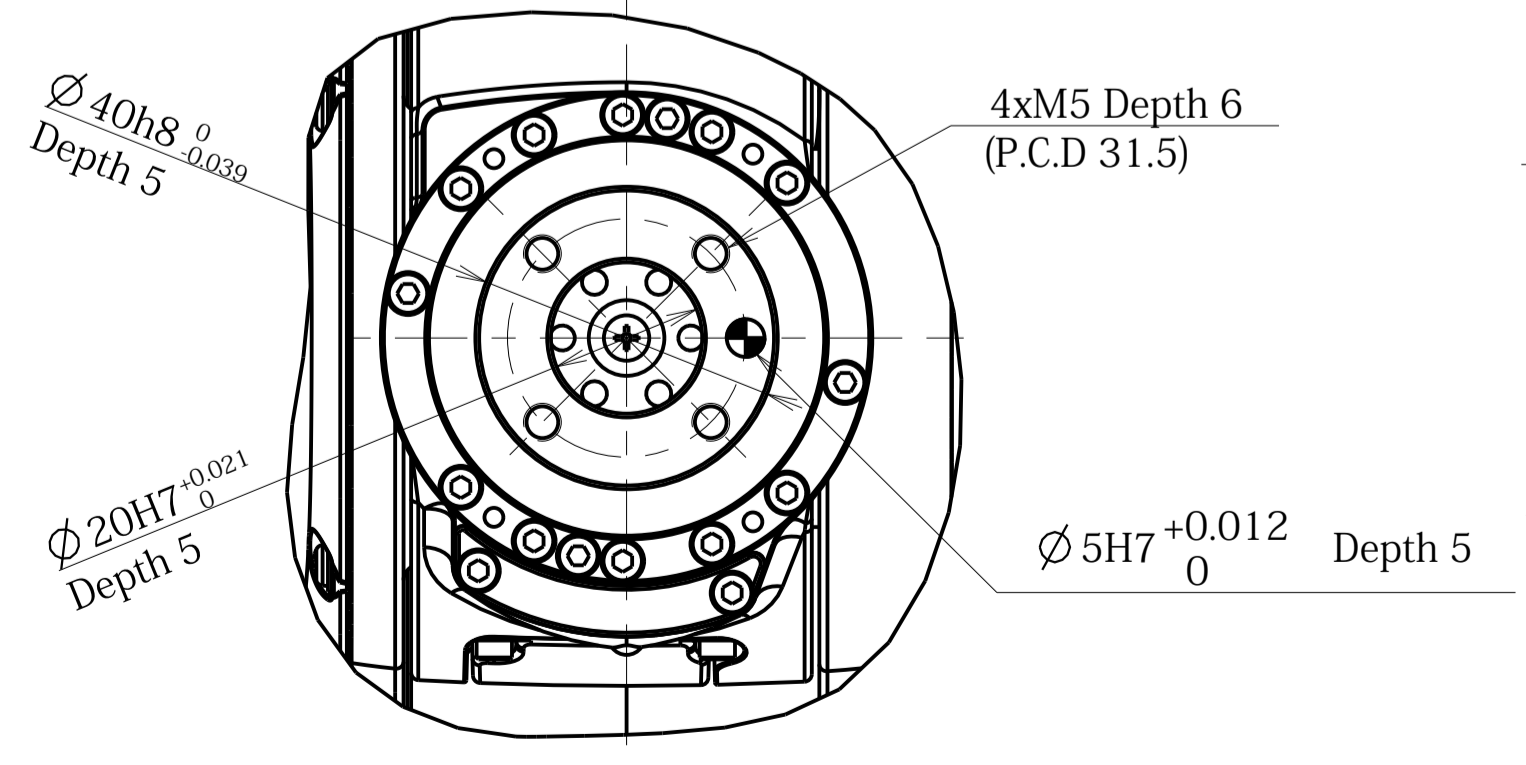


Point P

Workable space
definid by point P

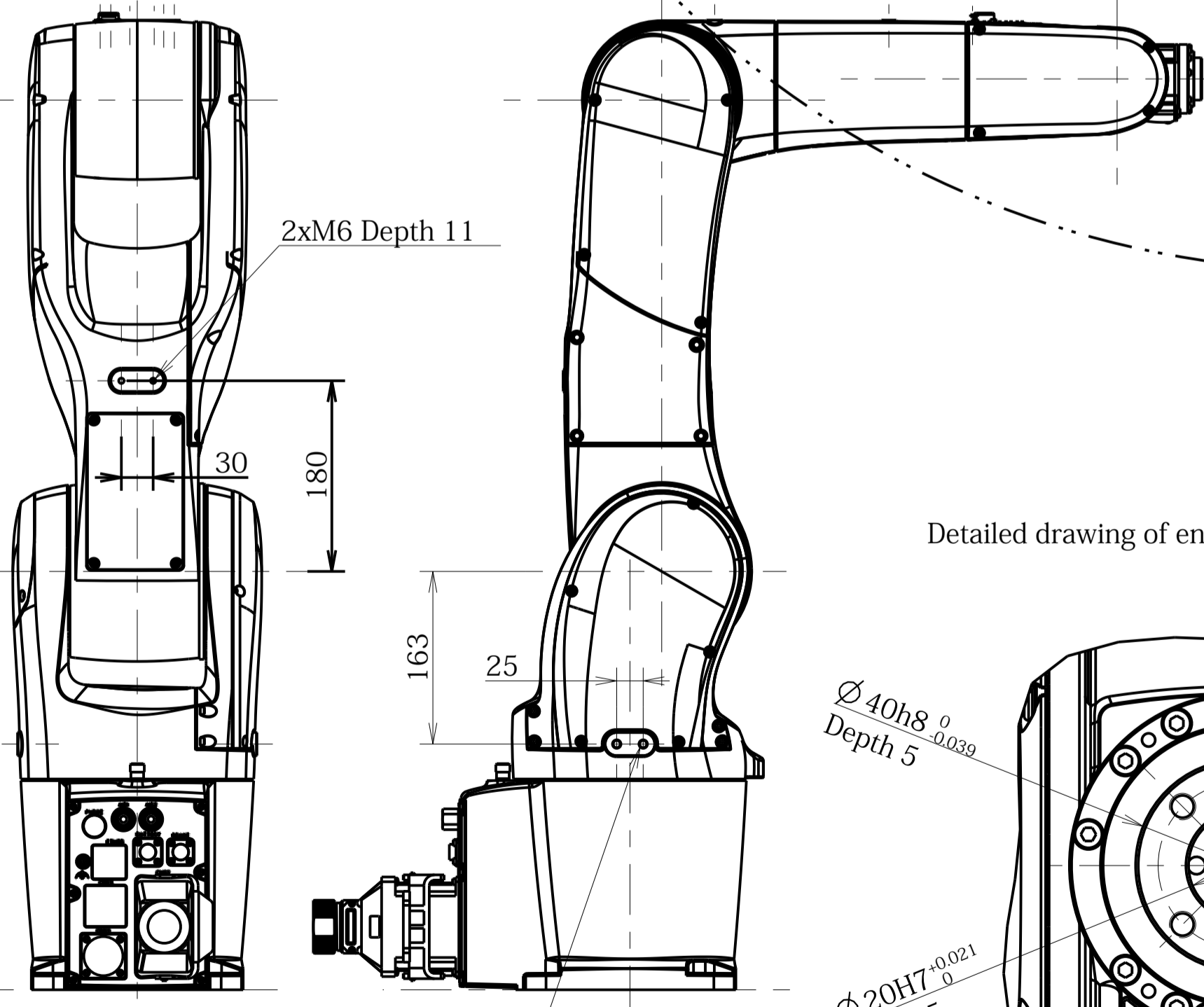


Detailed drawing of end-effector mounting face



B

Workable space
definid by point P



2xM8 Depth 18

2xM8 Depth 18