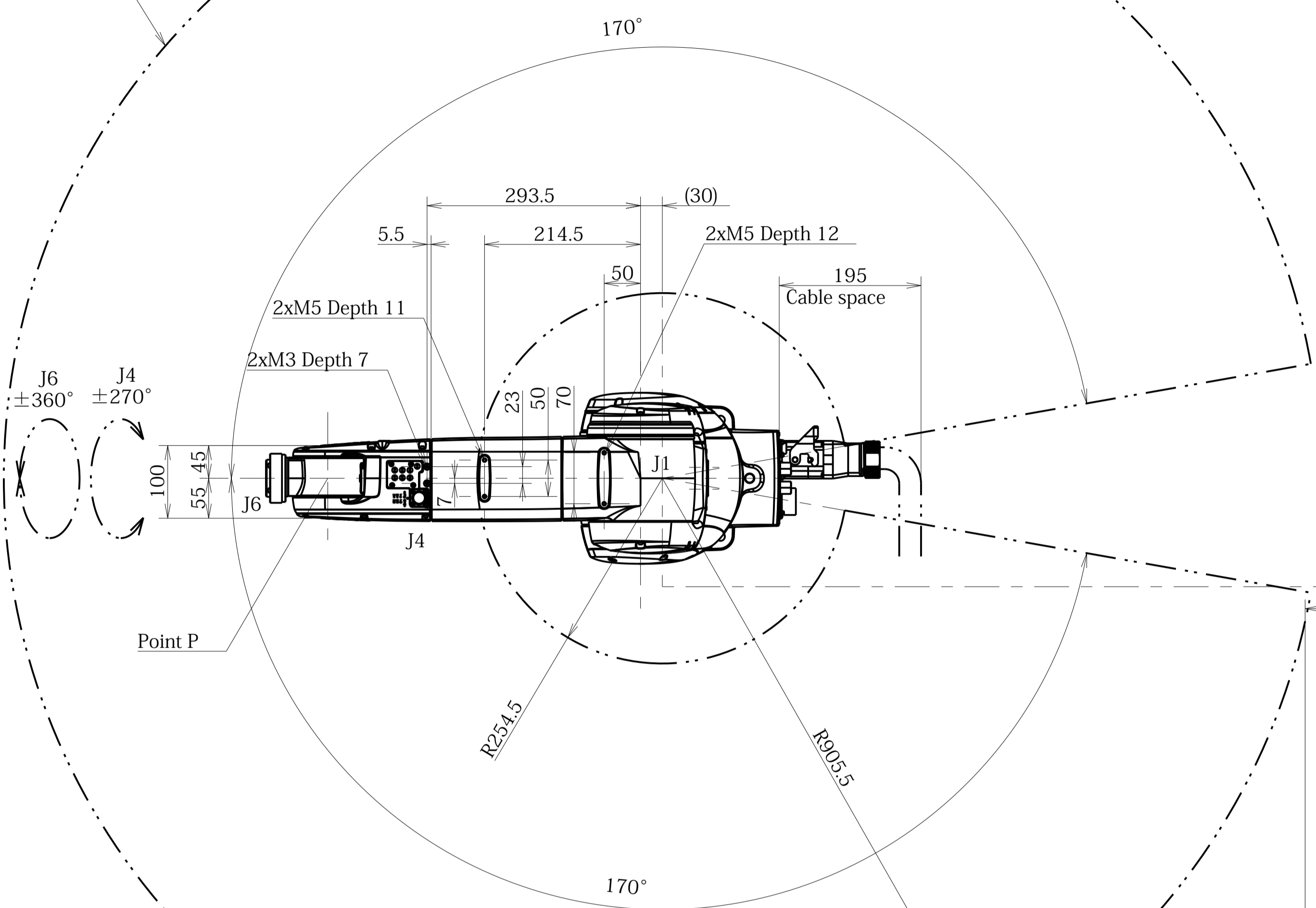
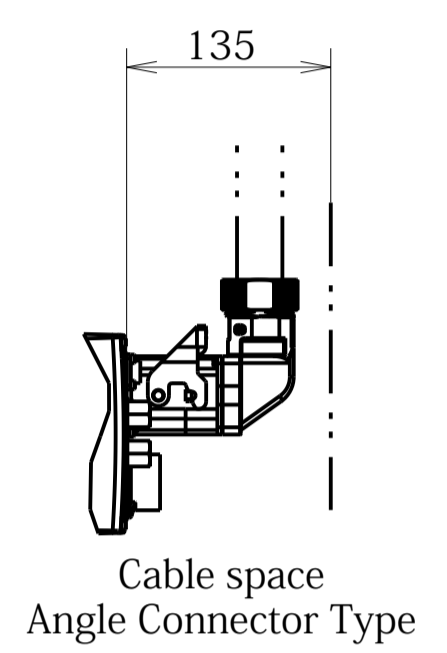
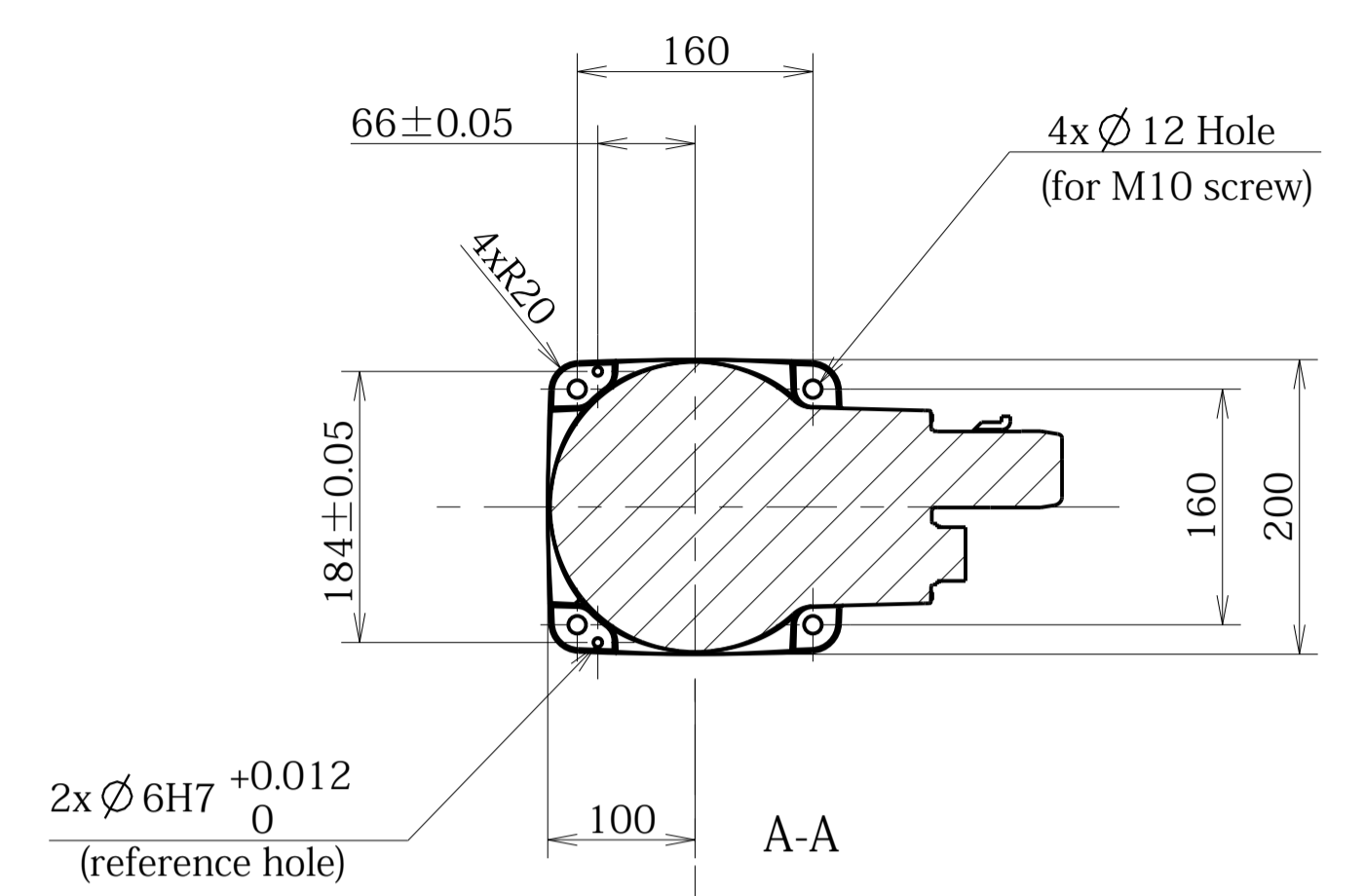


VS-087 (Rear Connector Panel, Standard Flange, Cleanroom (class 5 cleanliness-ISO 14644-1)
 410590-3510
 VS-087 (Rear Connector Panel, Standard Flange, Cleanroom (class 3 cleanliness-ISO 14644-1)
 410590-3670

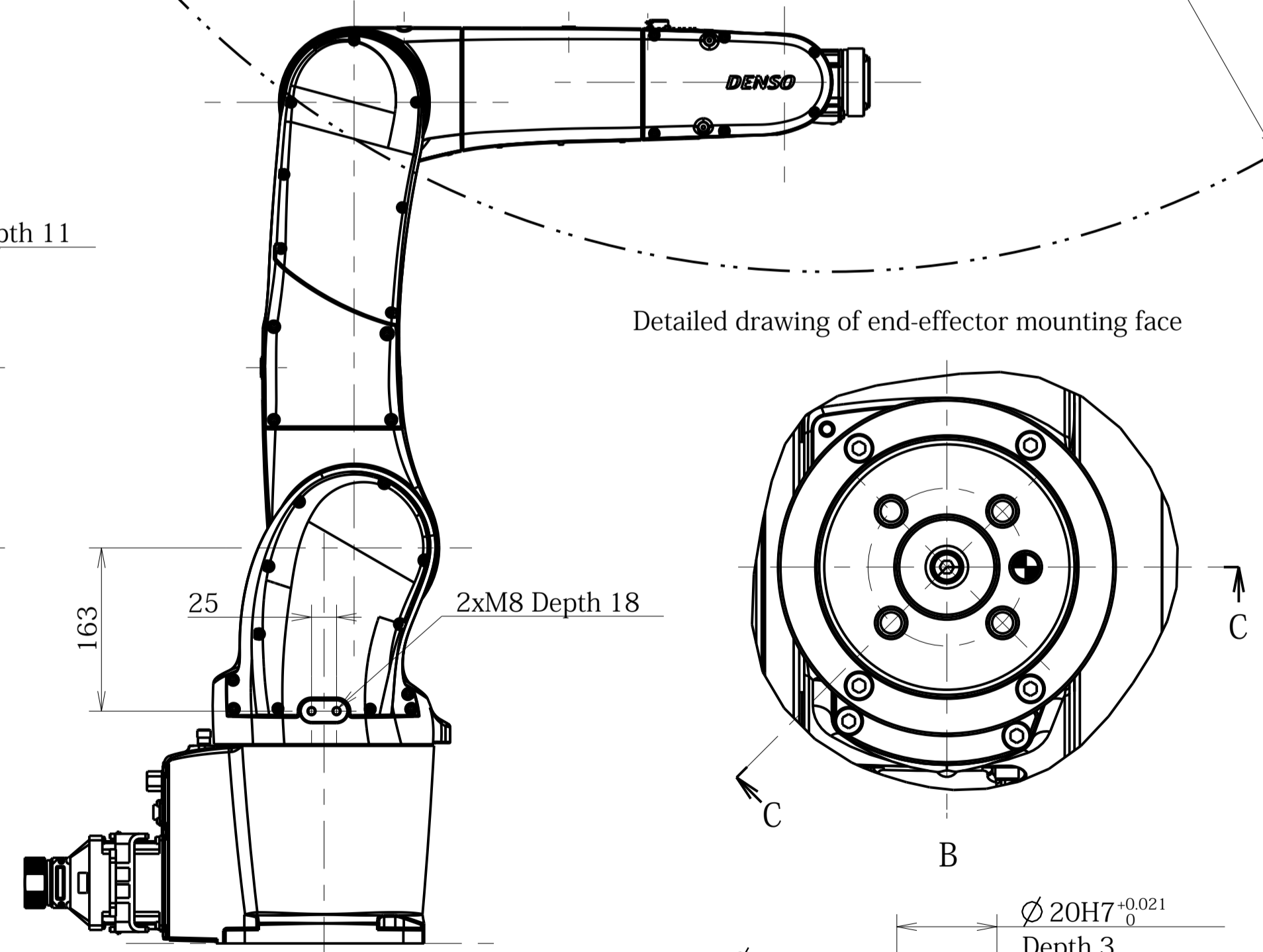
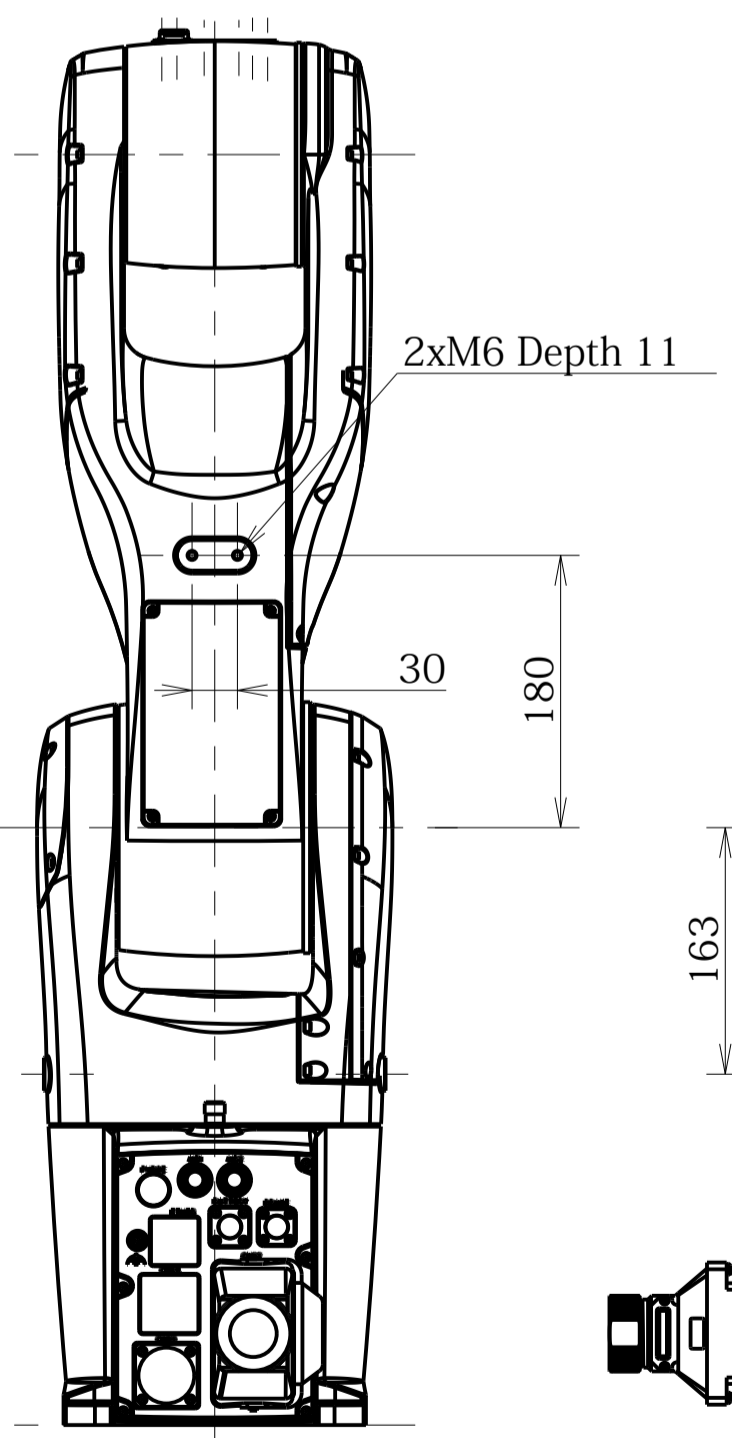
Workable space
 defined by point P



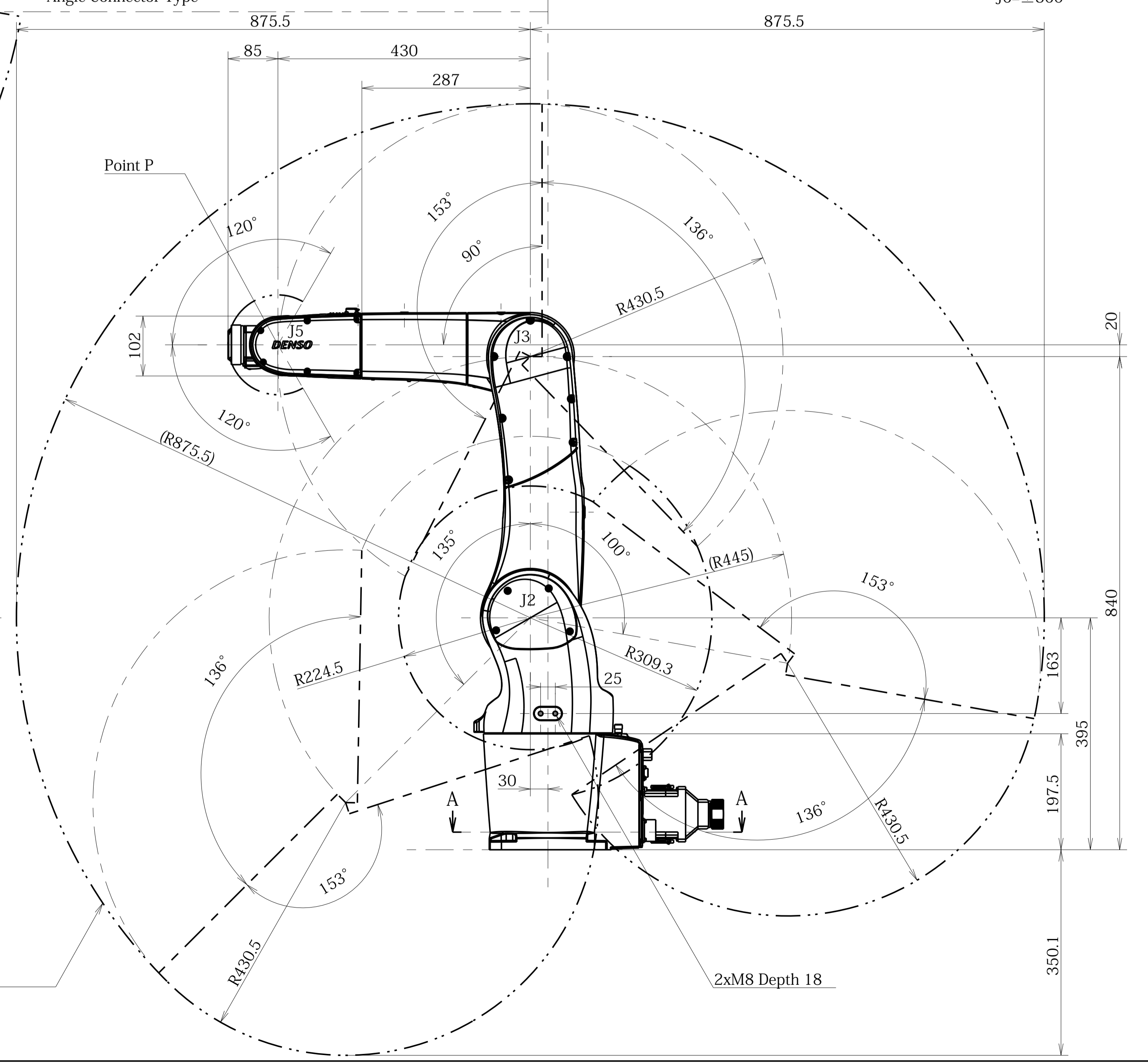
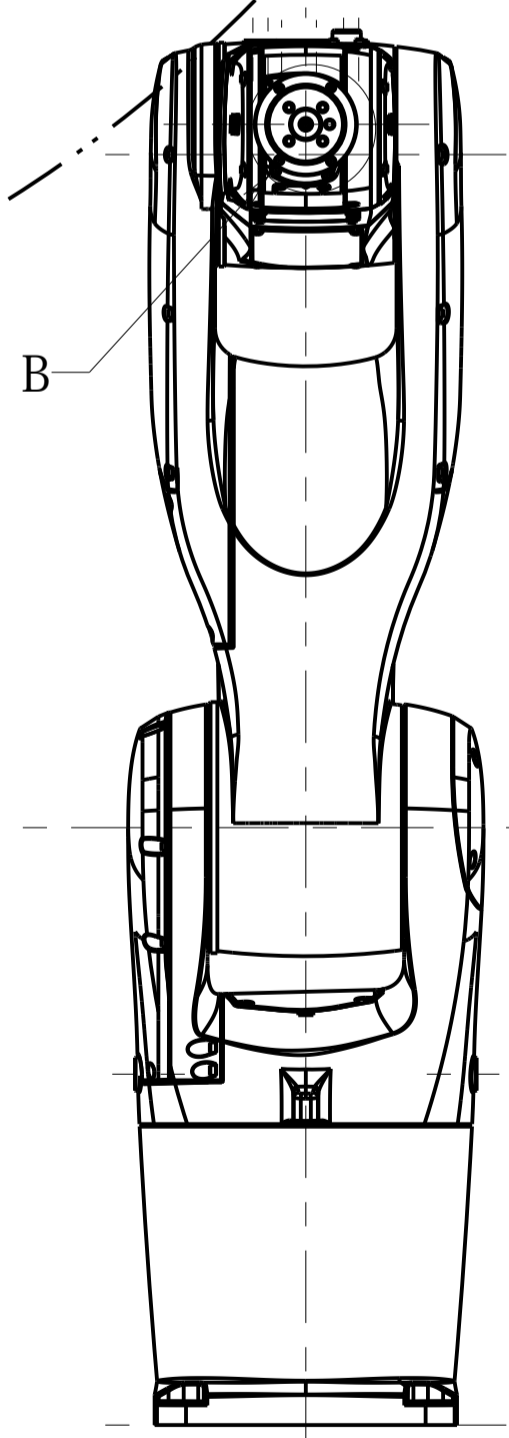
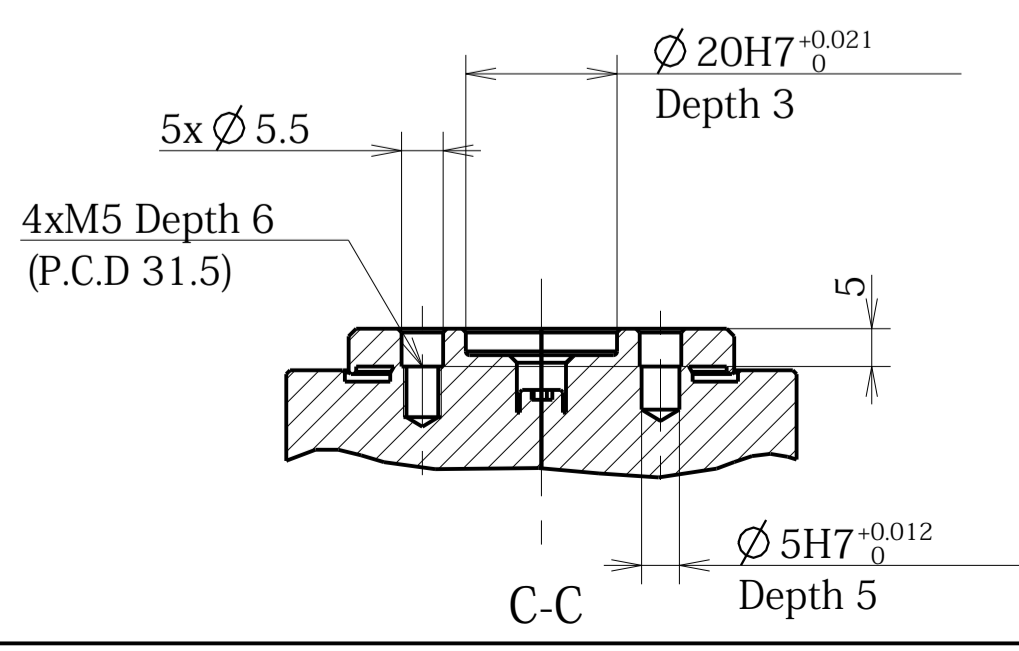
Detailed drawing of base mounting face



- J1=±170°
- J2=+135° -100°
- J3=+153° -136°
- J4=±270°
- J5=±120°
- J6=±360°



Detailed drawing of end-effector mounting face



Workable space
 defined by point P