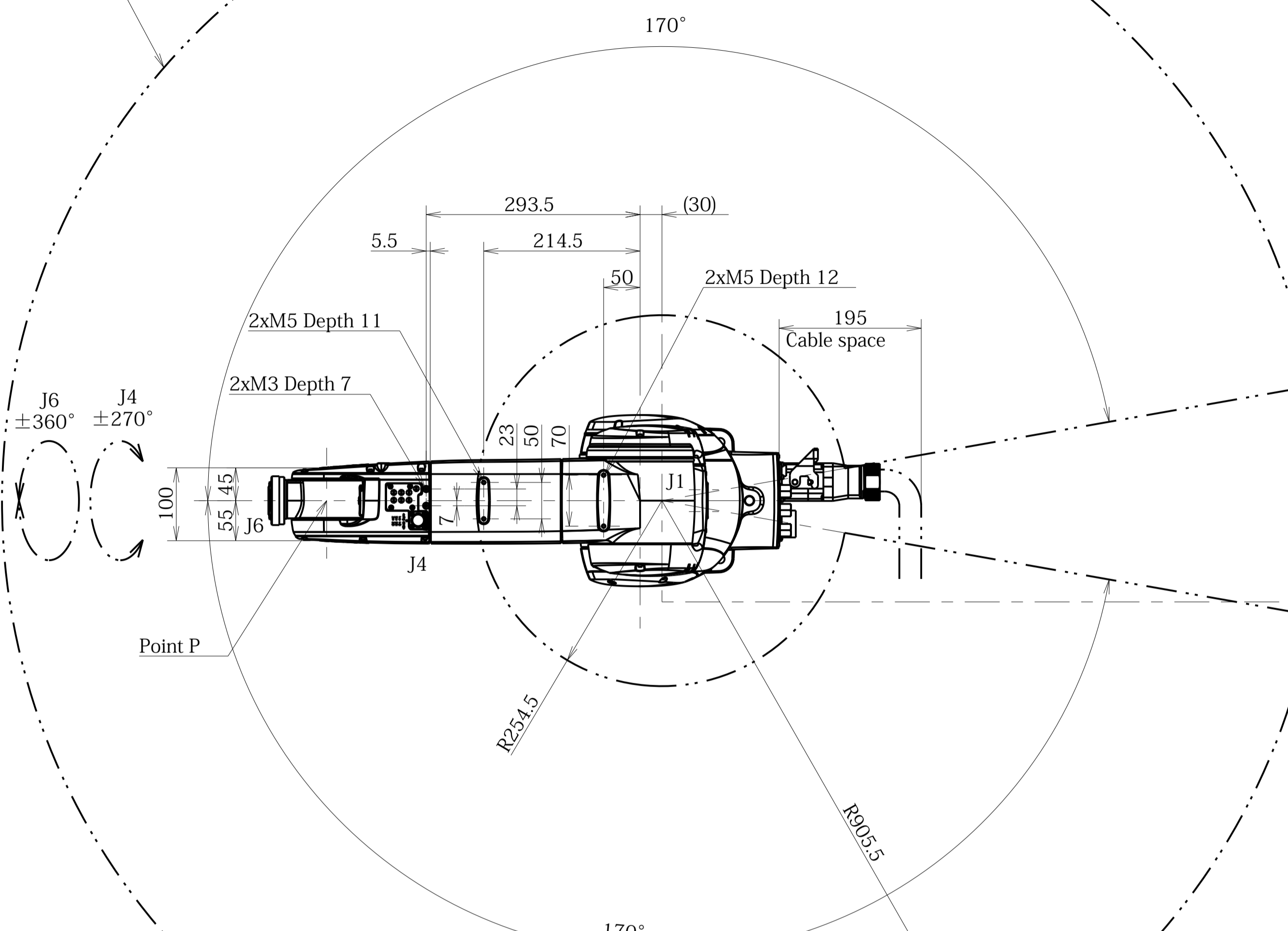
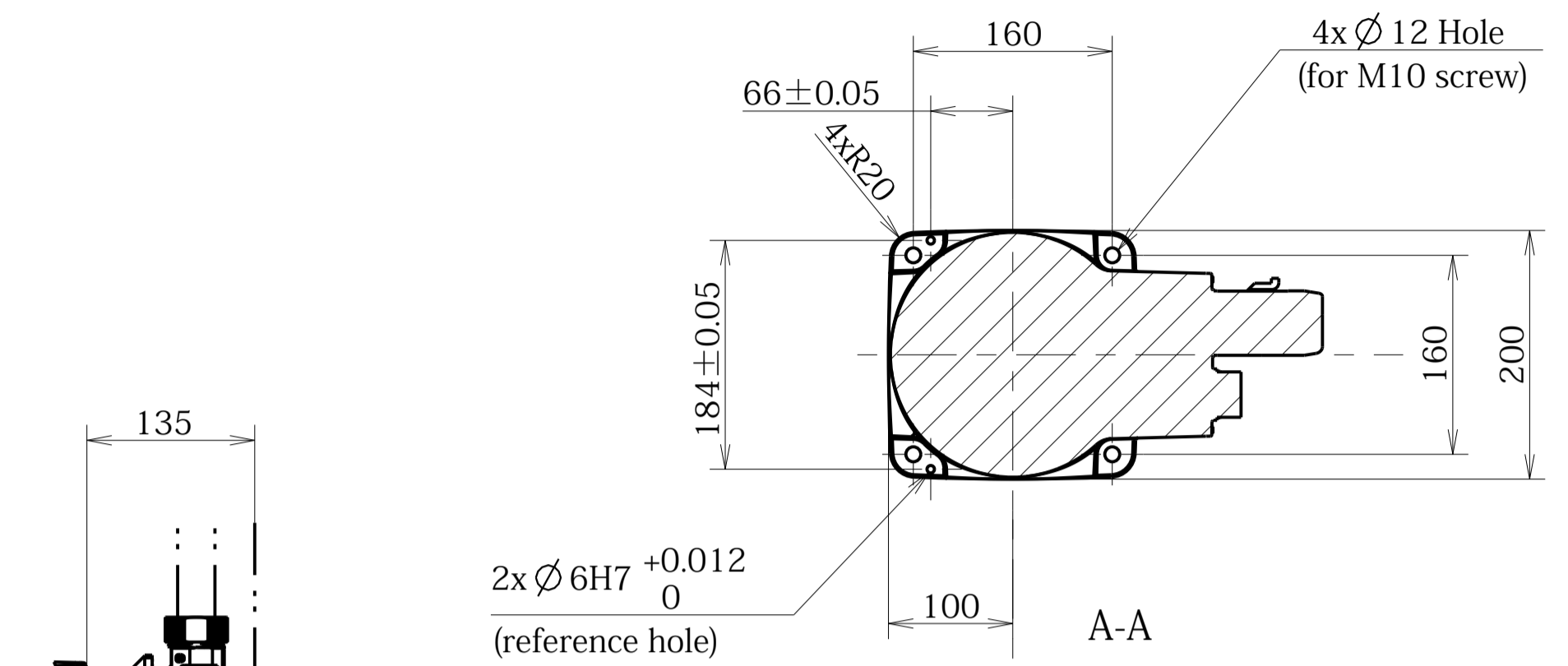


VS-087 (Rear Connector Panel, Standard Flange, Protected type (IP67))
 410590-3270
 VS-087 (Rear Connector Panel, Standard Flange, Dust & Mist Proof (IP54 (Wrist IP65)))
 410590-3430

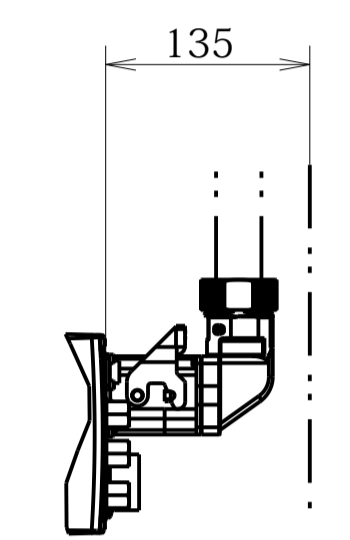
Workable space
 defined by point P



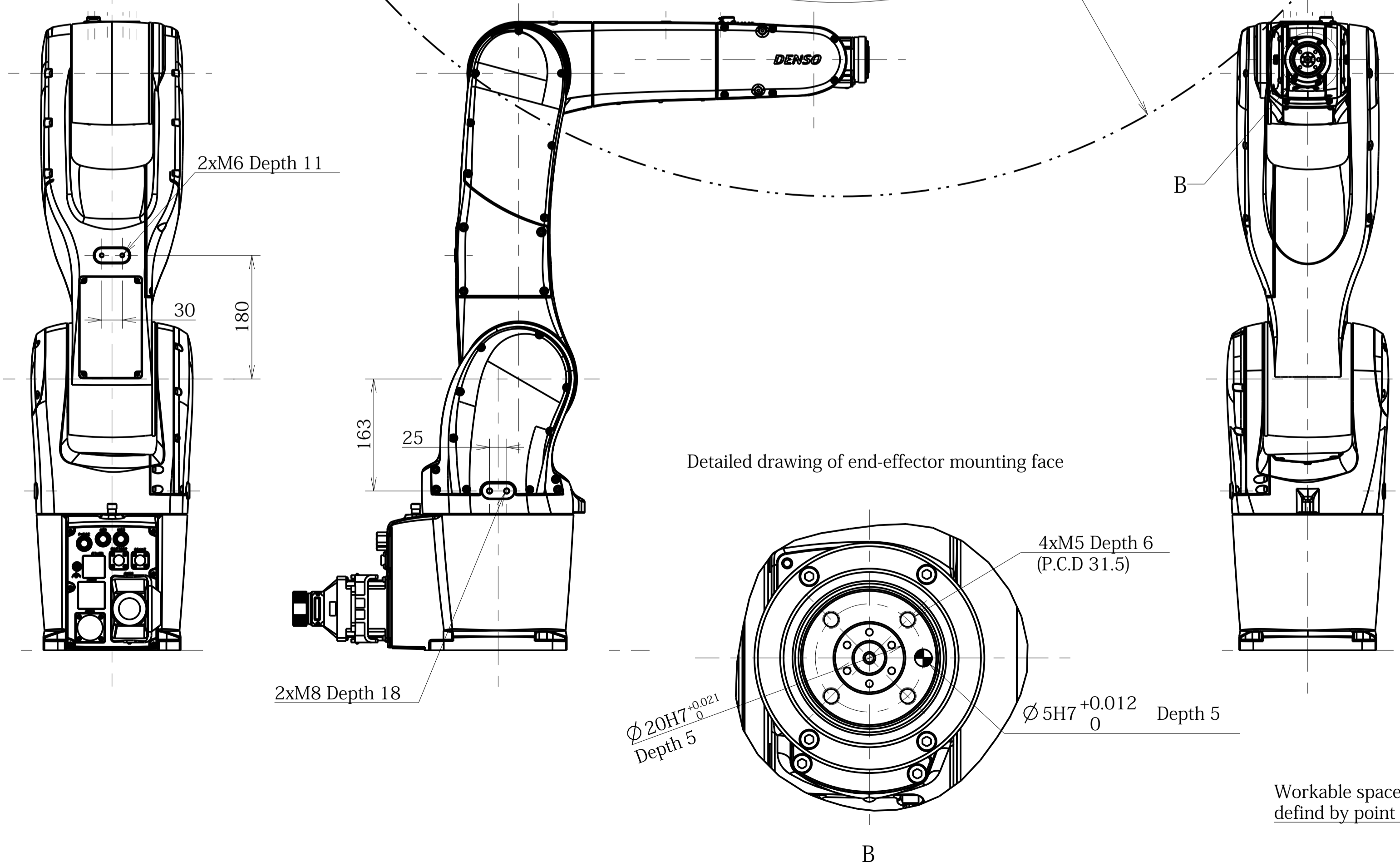
Detailed drawing of base mounting face



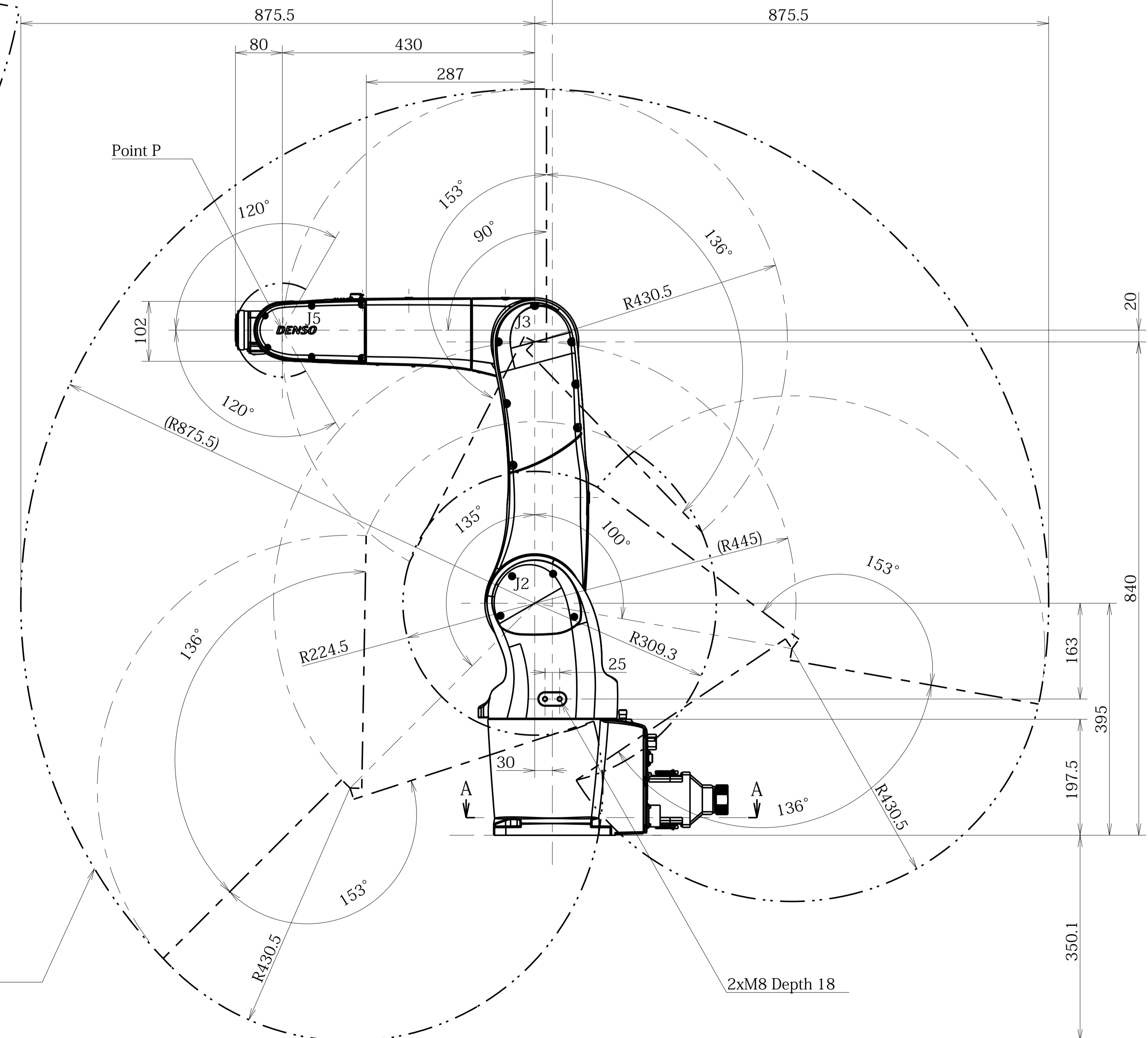
Cable space
 Angle Connector Type



- J1=±170°
- J2=+135°, -100°
- J3=+153°, -136°
- J4=±270°
- J5=±120°
- J6=±360°



Detailed drawing of end-effector mounting face



Workable space
 defined by point P