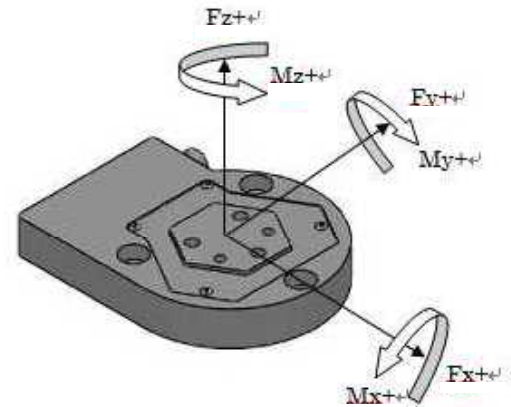
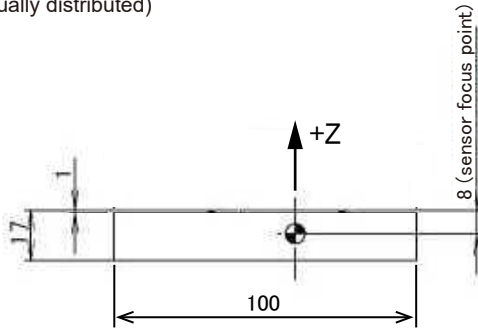
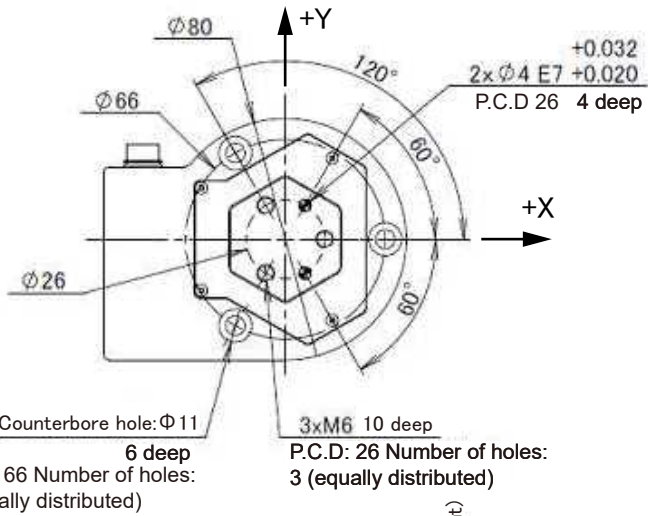


Outline drawing of the force sensor (middle load model)

Tool side



Mount side

