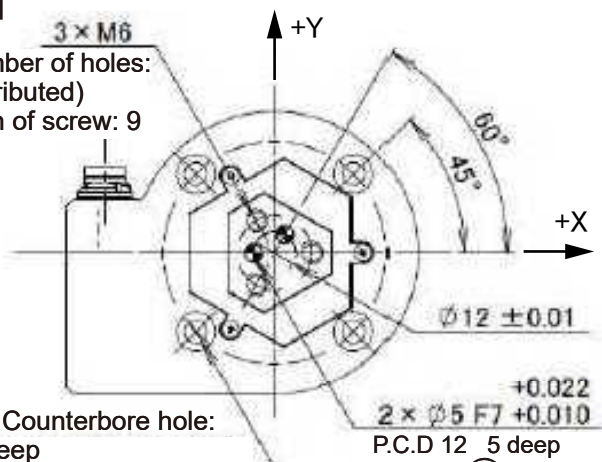


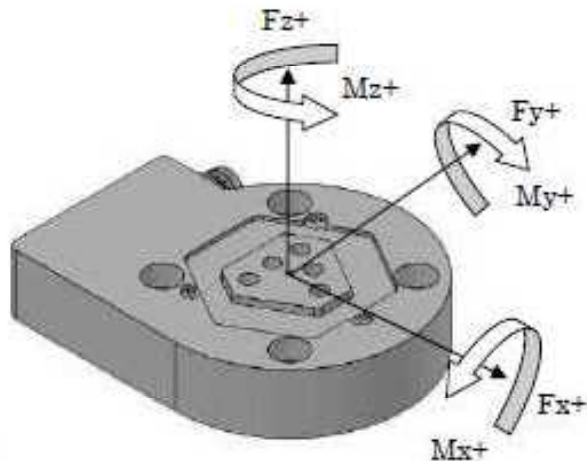
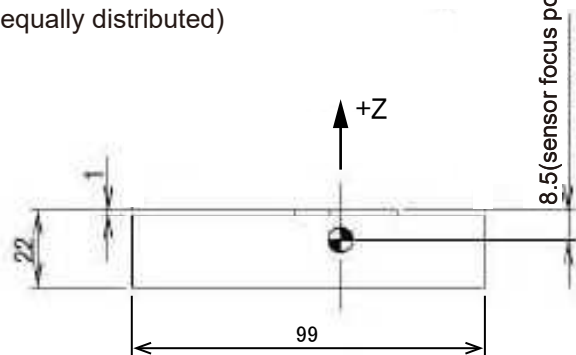
# Outline drawing of the force sensor (standard model)

## Tool side

3 × M6  
P.C.D: 21 Number of holes:  
3 (equally distributed)  
Effective depth of screw: 9



4 ×  $\phi 6.4$ , Counterbore hole:  
 $\phi 11$  7 deep  
P.C.D: 63 Number of holes:  
4 (equally distributed)



## Mount side

