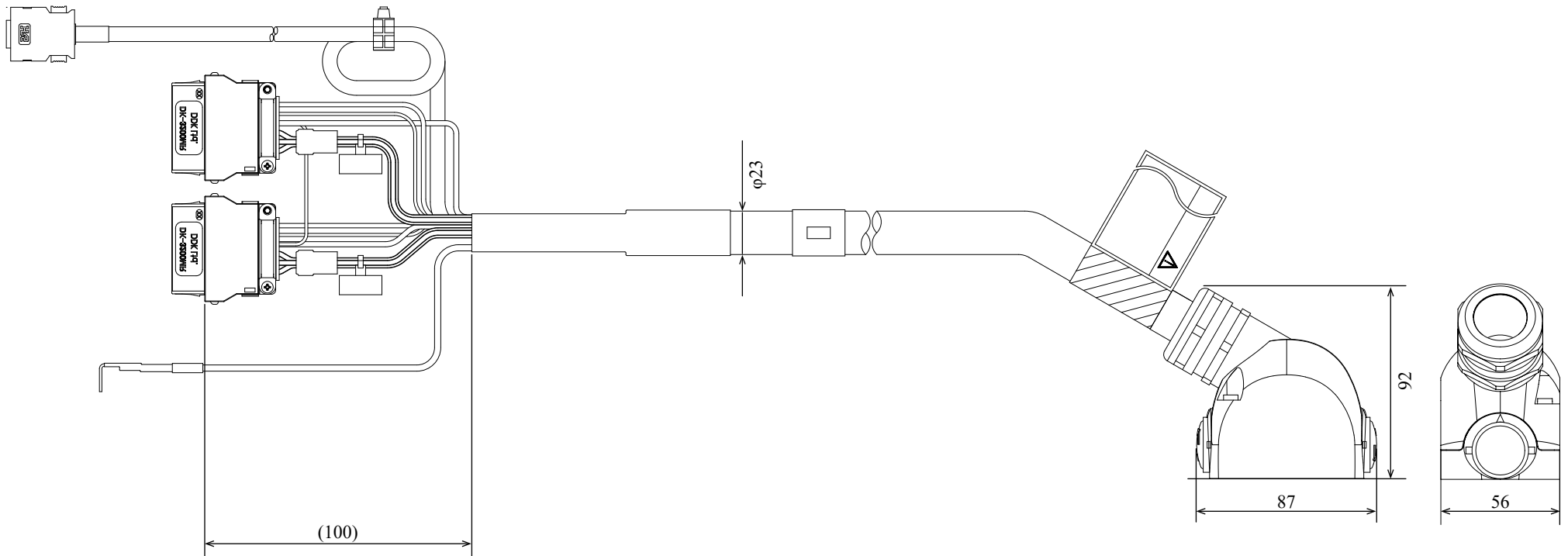


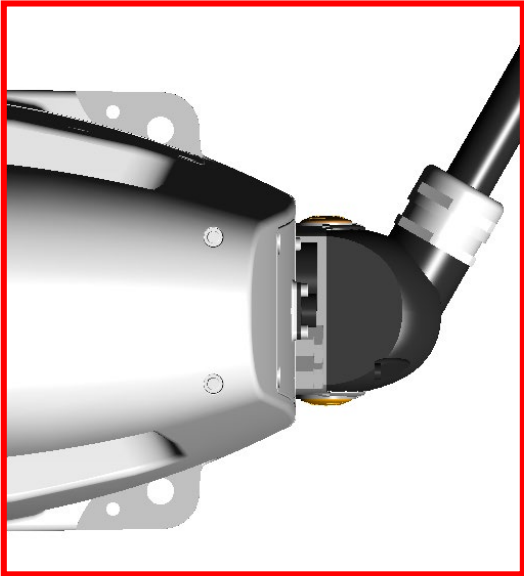
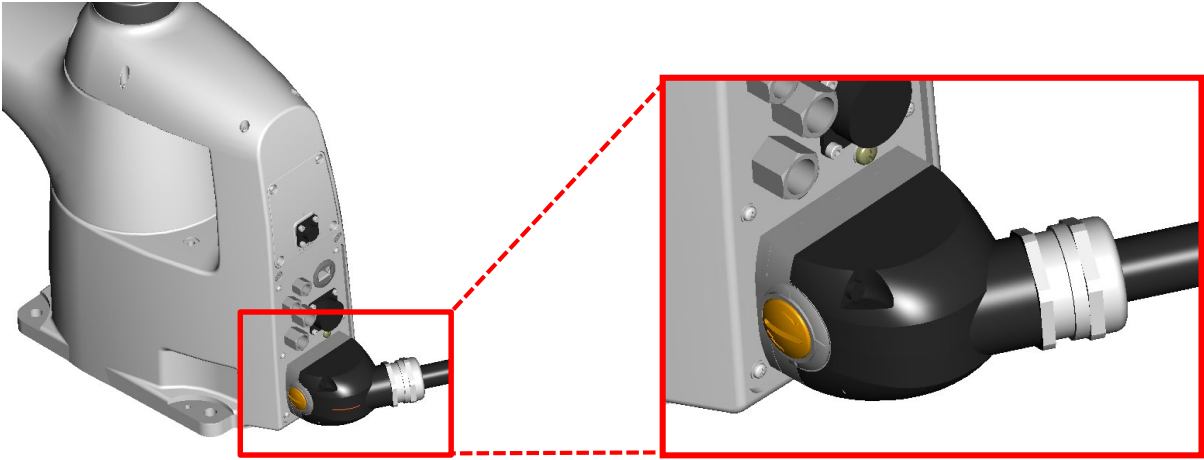
For HSR / HSA1 Angle



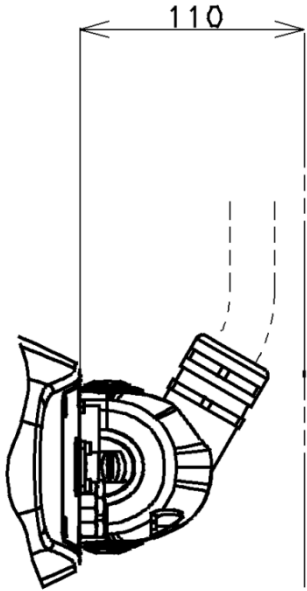
The bending radius (internal) of a motor & encoder cable should be at least 33.8 mm when the cable is stationary, and at least 225 mm when it is movable. Excessively bending will result in broken lead wires.

If the length of the motor and encoder cable is 20 m, the leakage current of power supply exceeds 3.5 mA. To reduce the touch current on the controller surface to 3.5 mA or less, take any measures, for example, connecting additional protective earthing conductor which cross section is 2.5mm^2 or larger to the controller.

HSR Angle Connector

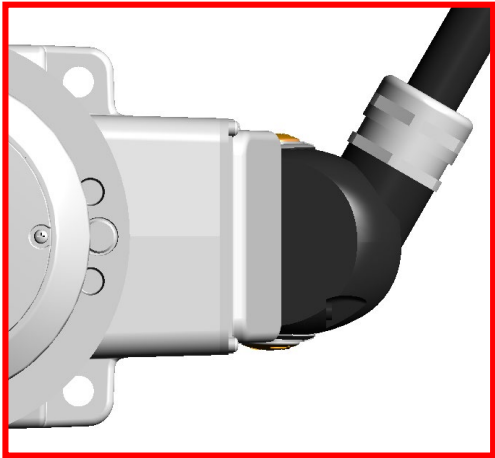
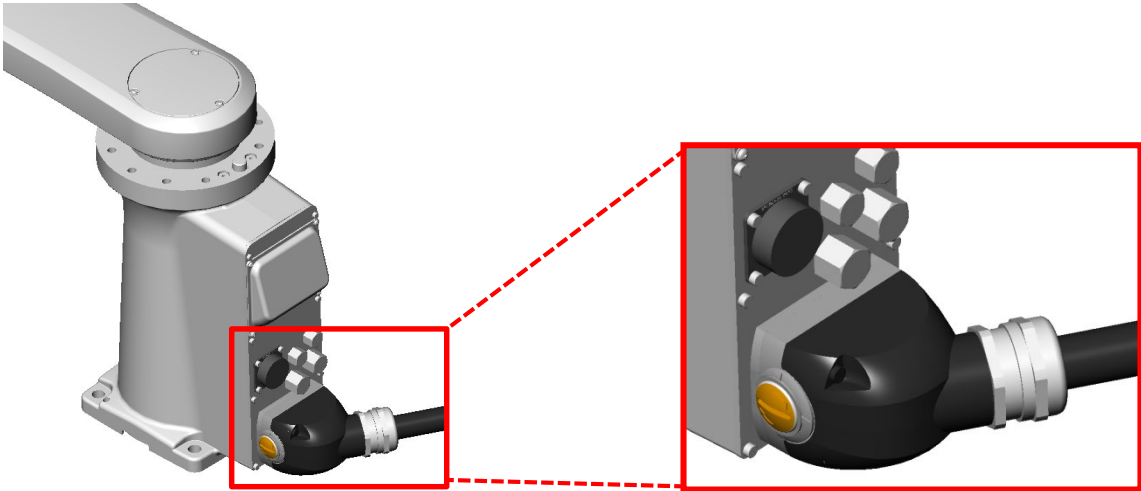


TOP VIEW

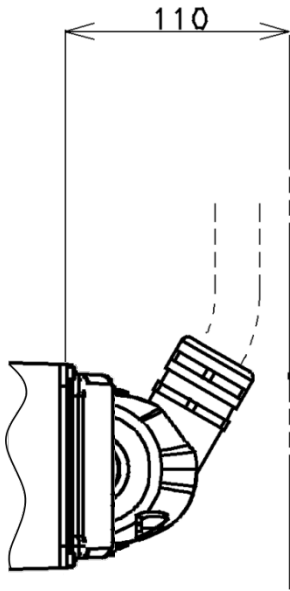


Cable space
Angle Connector Type

HSA1 Angle Connector



TOP VIEW



Cable space
Angle Connector Type