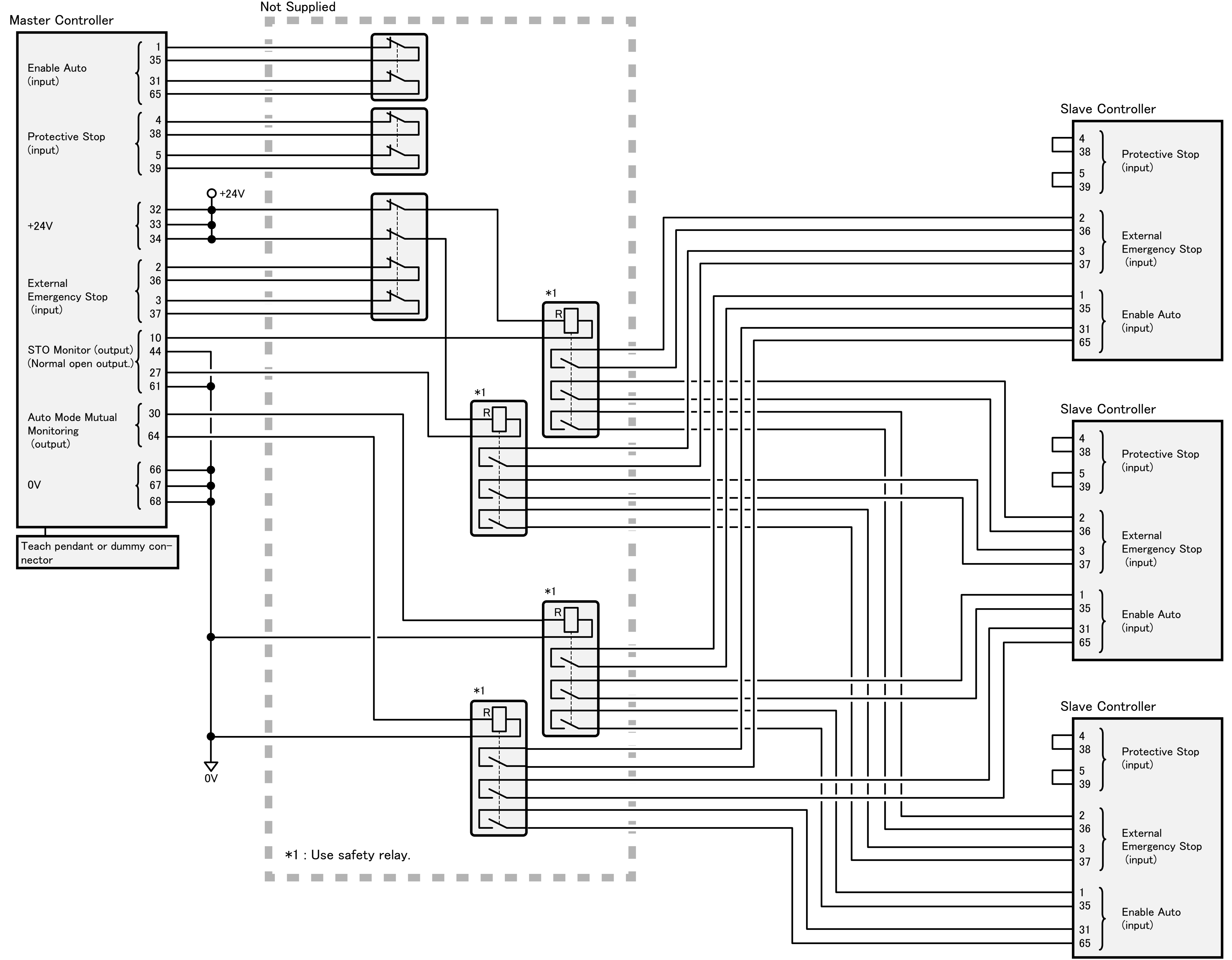


Sample wiring diagram for three or more robots



*1 : Use safety relay.