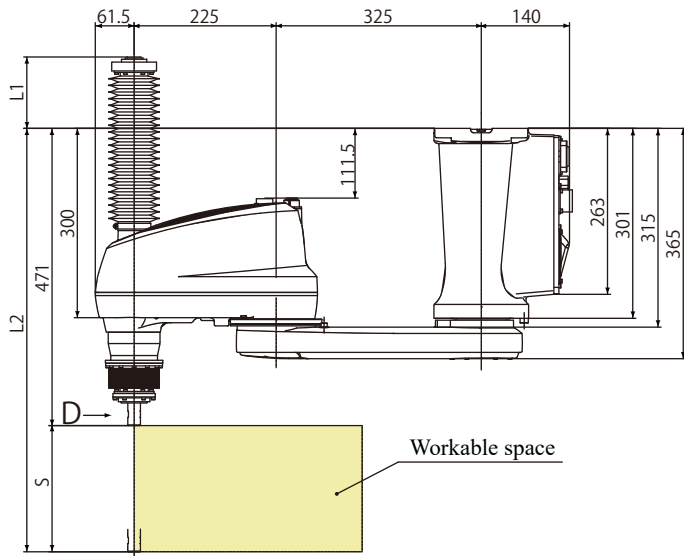
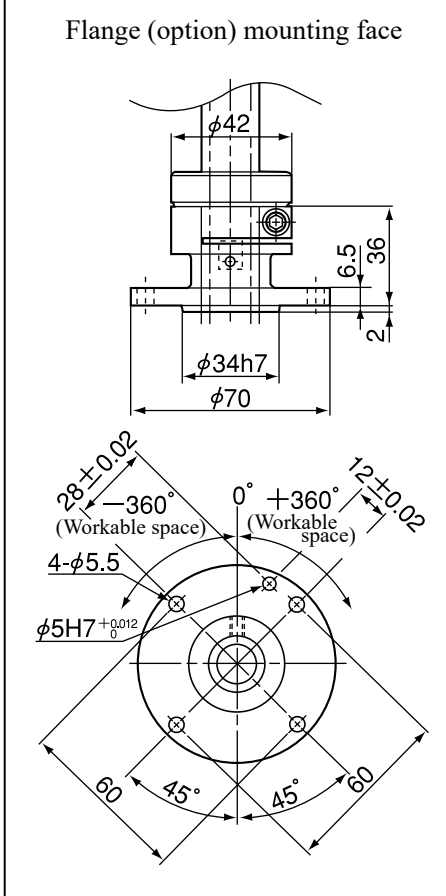
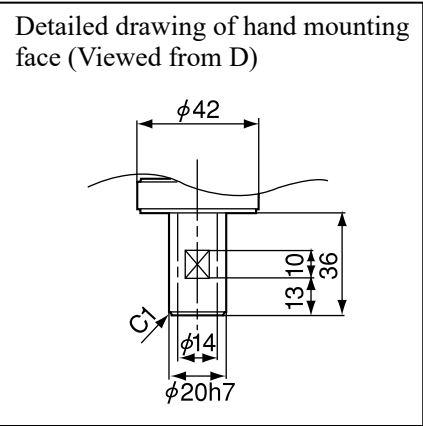
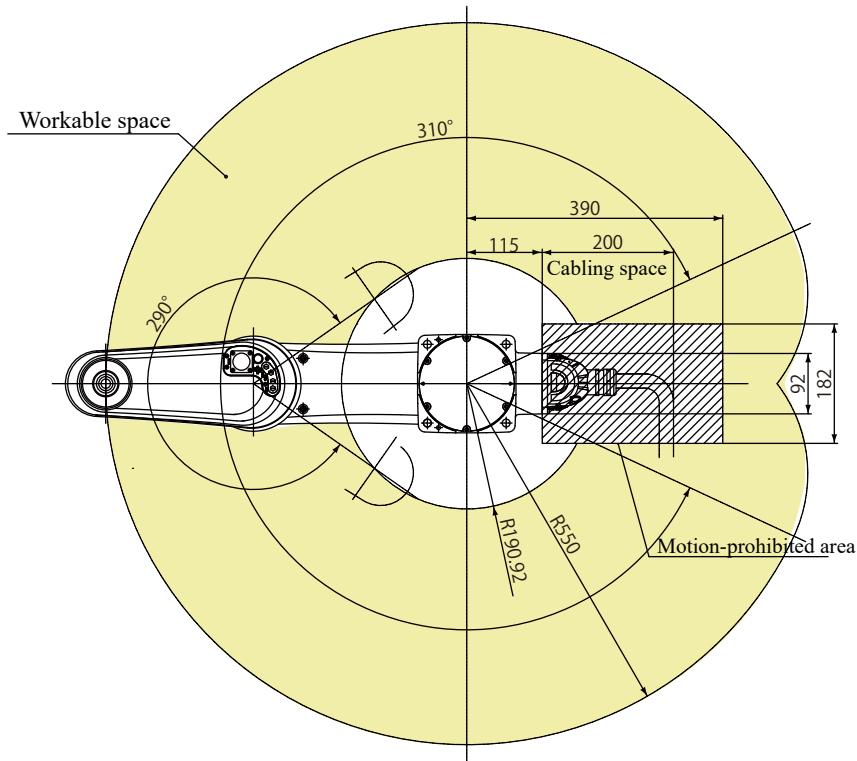
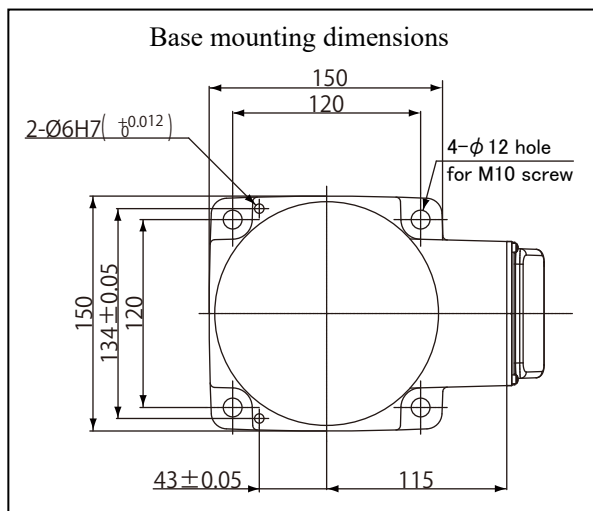


<HS055A1-S*W5N>



Unit: mm



NOTE: Dimensions that differ according to Z-axis stroke (S)

Model	S	L1	L2
HS055A1-S10-W5N	100	14	571
HS055A1-S15-W5N	150	64	621
HS055A1-S20-W5N	200	114	671
HS055A1-S32-W5N	320	234	791

NOTE: In the case of the overhead-mount type, the Z axis in the uppermost position may reach higher than the base mounting face. Be careful with the interference with surrounding facilities.