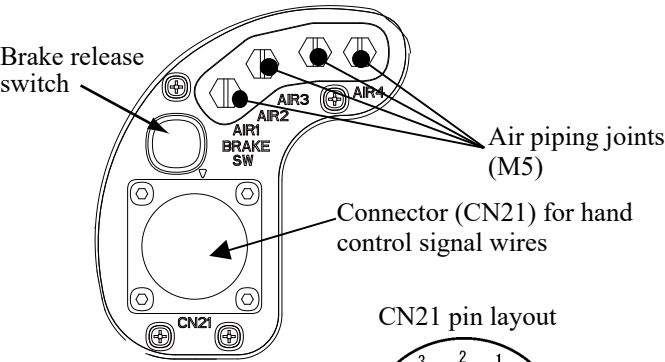
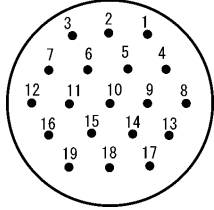


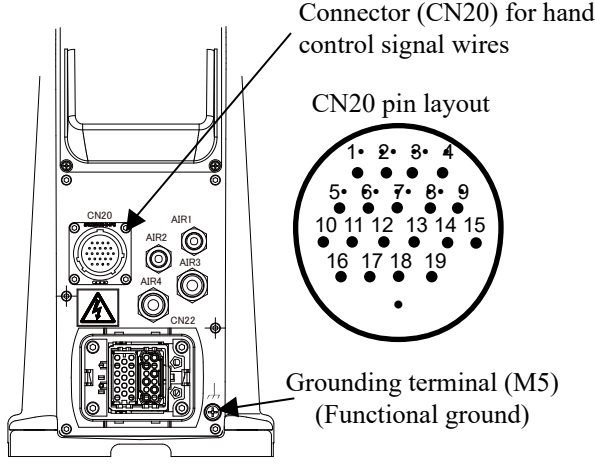
View in direction  
of arrow (A)



CN21 pin layout



View in direction  
of arrow (B)



CN20 pin layout

