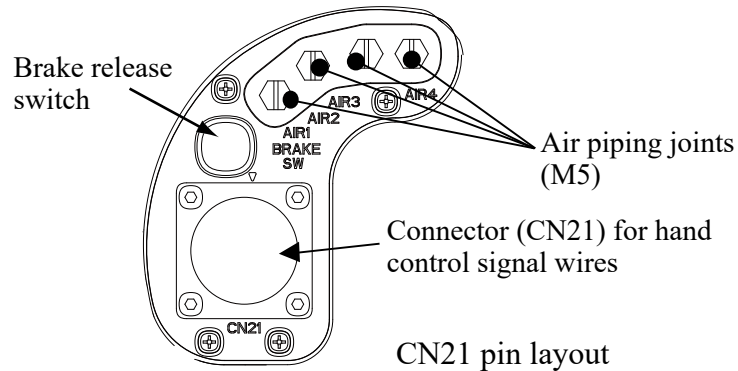
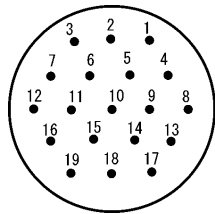


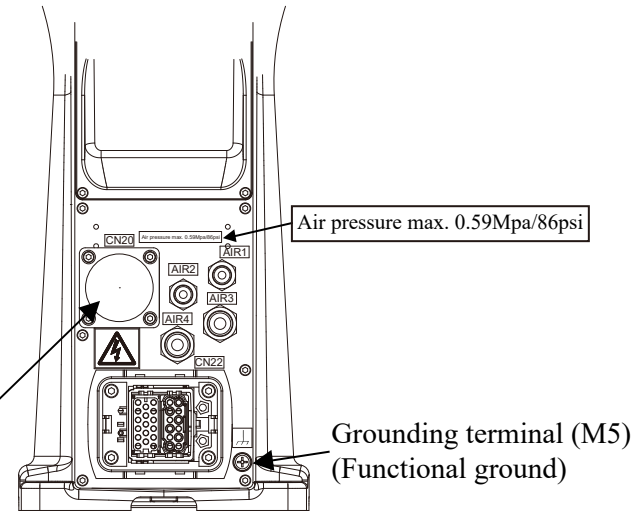
View in direction of arrow (A)



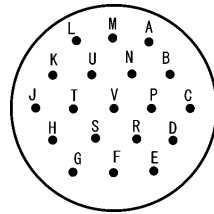
CN21 pin layout



View in direction of arrow (B)



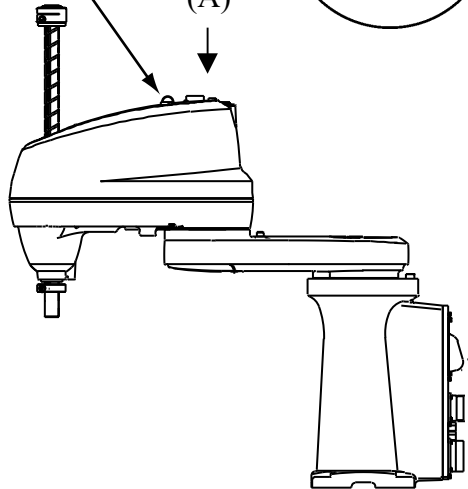
CN20 pin layout



Connector (CN20) for hand control signal wires

Motor ON lamp

(A)



(B)

Air No.	Air piping joint	Maximum allowable pressure
AIR 1,2	φ4, PT1/8	0.59 MPa / 86 psi
AIR 3,4	φ6, PT1/4	