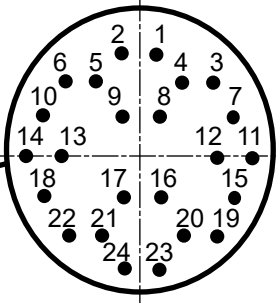
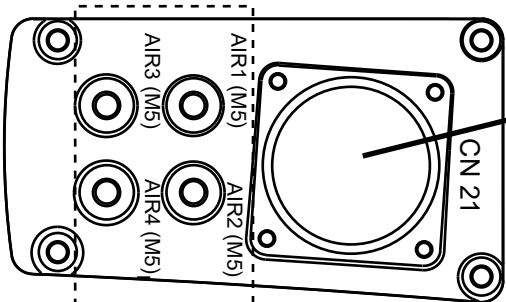


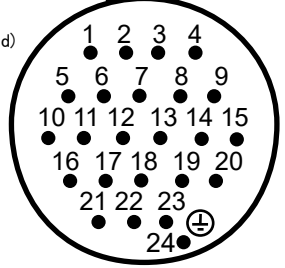
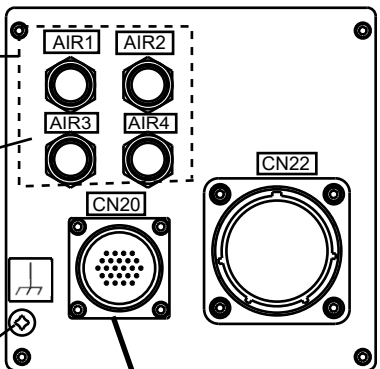
Connector (CN21) for hand control signal wires

View in direction of arrow A



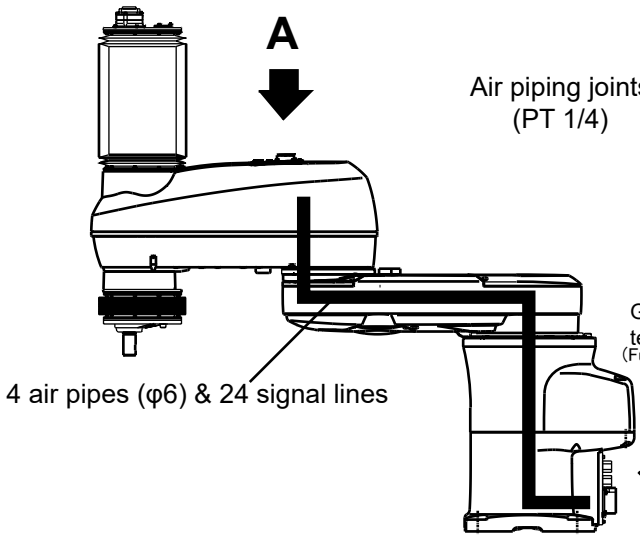
CN21 pin layout

View in direction of arrow B



CN20 pin layout

Connector (CN20) for hand control signal wires



| AIR No. | Air piping joints | Maximum allowable pressure |
|----------------|-------------------|----------------------------|
| AIR 1, 2, 3, 4 | $\phi 6$ | 0.59MPa |