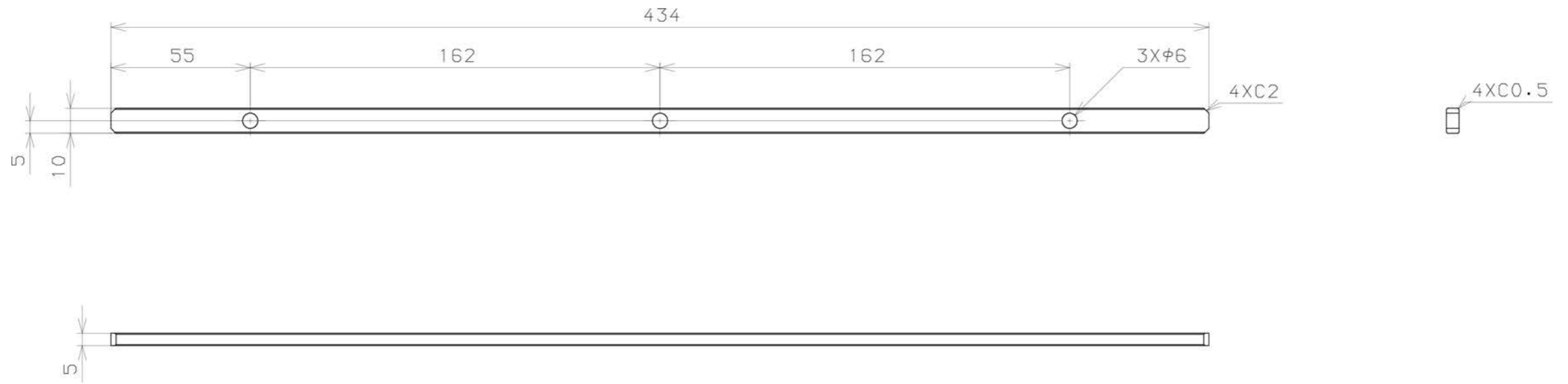
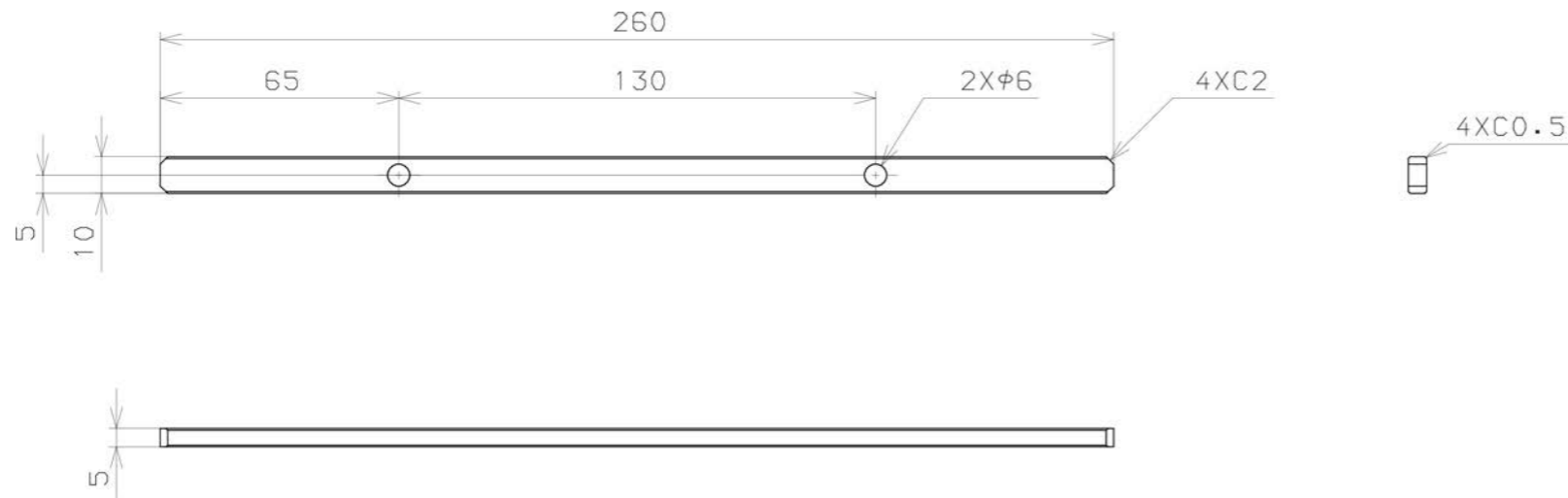


Robot Jacket Fixing Plate Drawing (Long)



Recommended material: Stainless steel

Robot Jacket Fixing Plate Drawing (Short)



Recommended material: Stainless steel