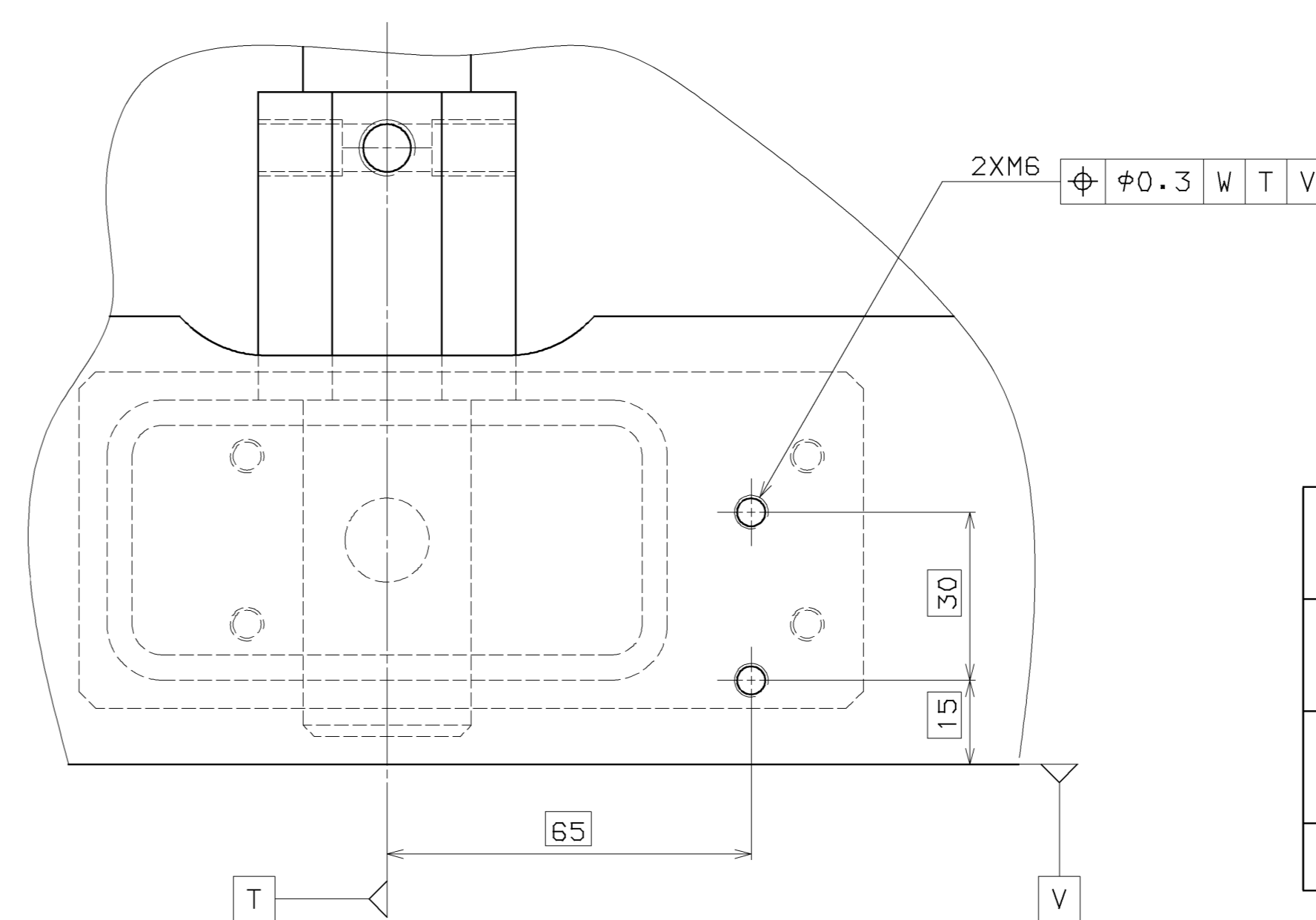
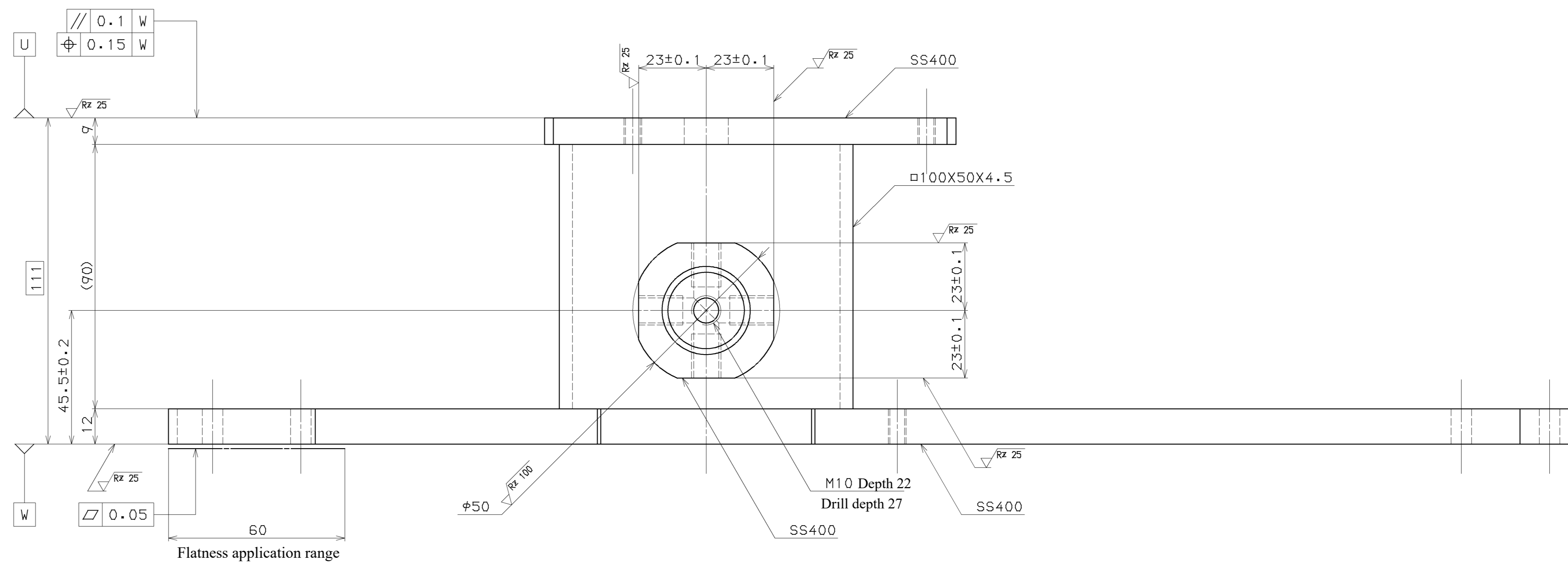
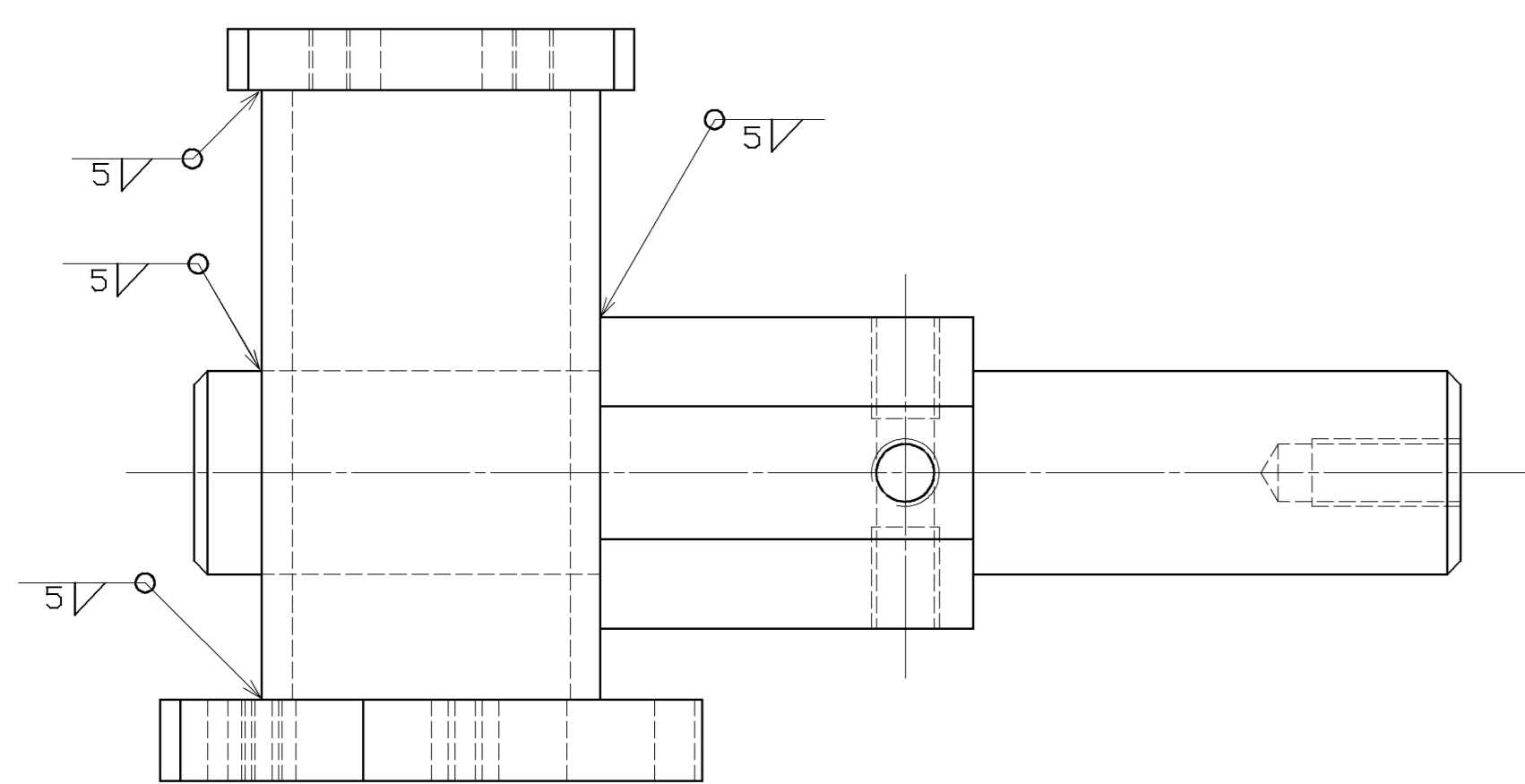
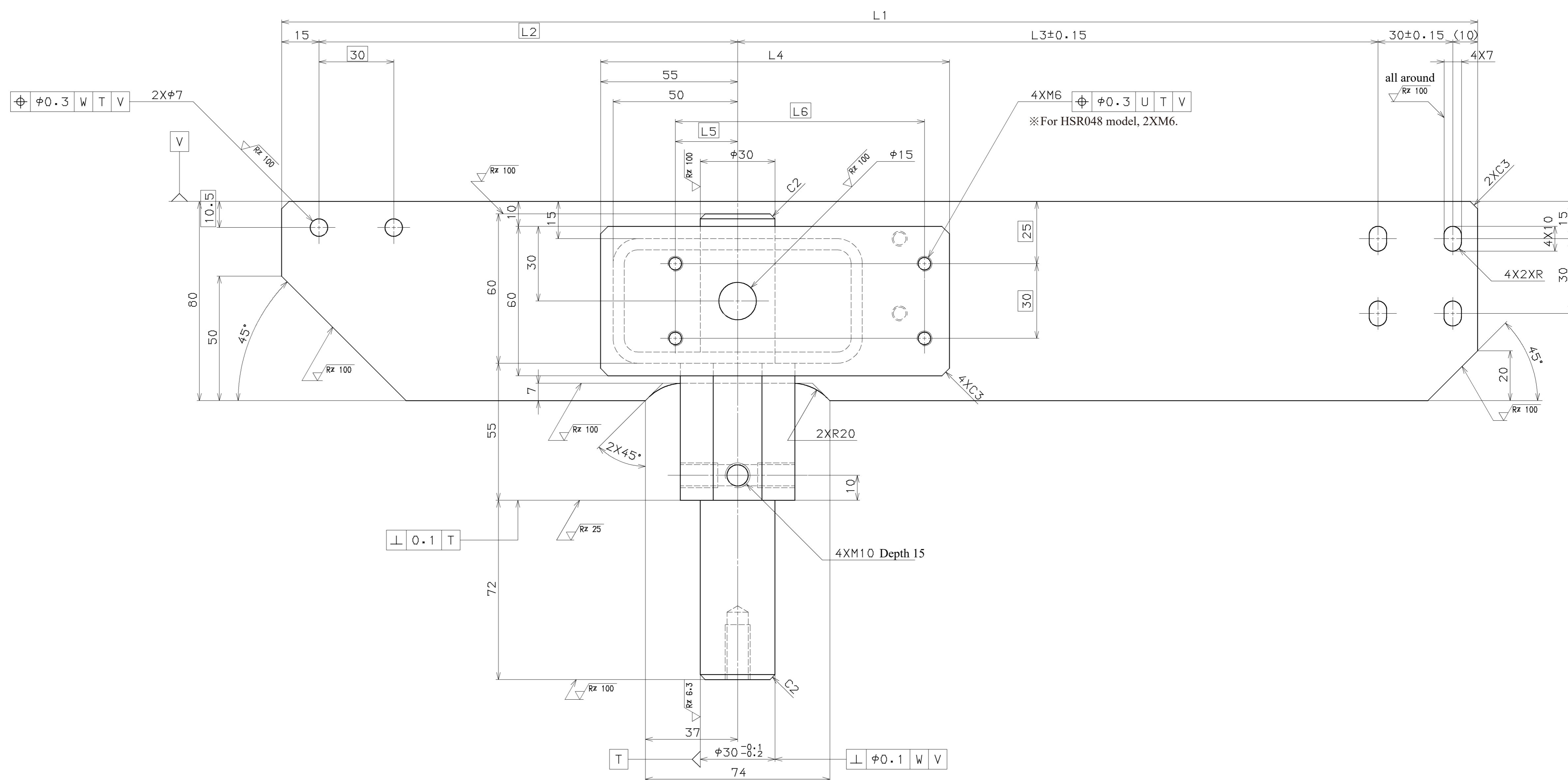


√ (√ Rz 100 √ Rz 25 √ Rz 6.3)



MATERIAL : SS400

TYPE	L1 (mm)	L2 (mm)	L3 (mm)	L4 (mm)	L5 (mm)	L6 (mm)
HSR048A1	480	168	257	110	15	-
HSR055A1	550	200	295	110	37	60
HSR065A1	650	248	347	140	25	100