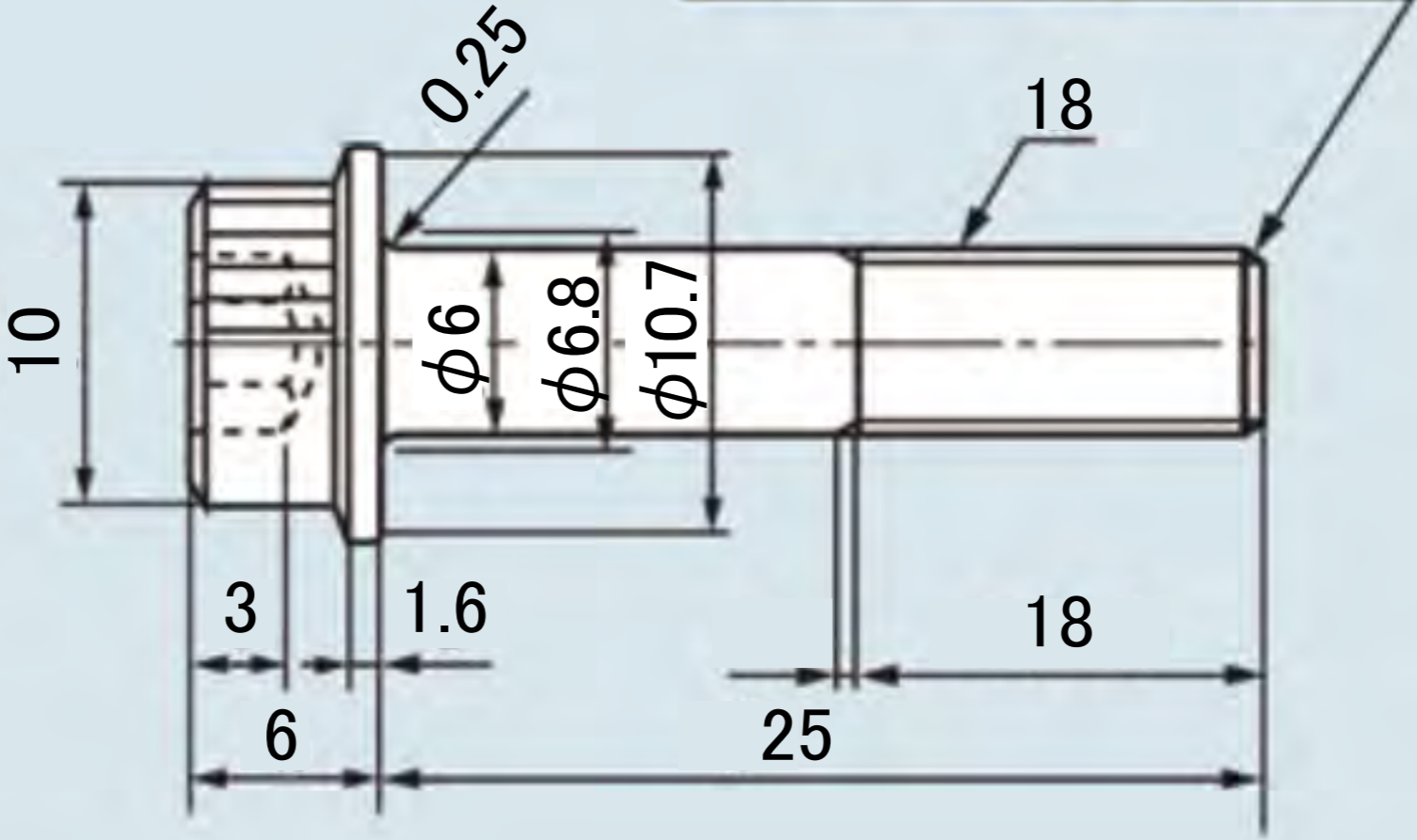
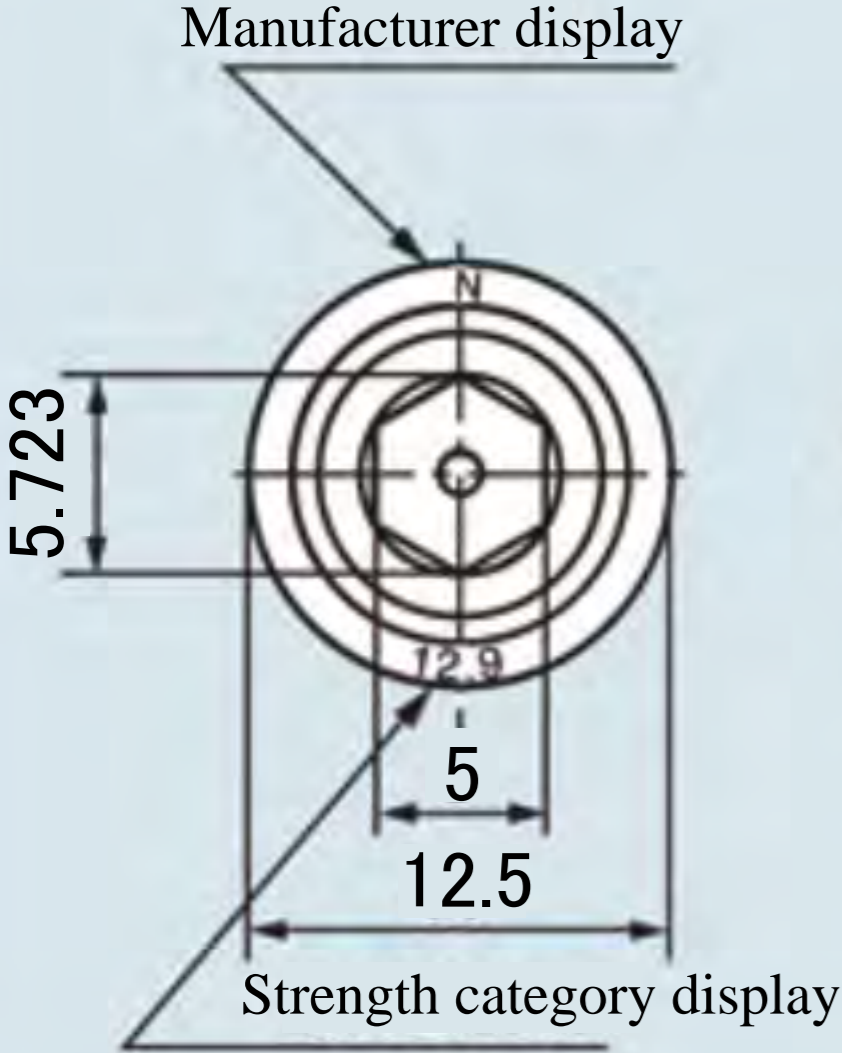
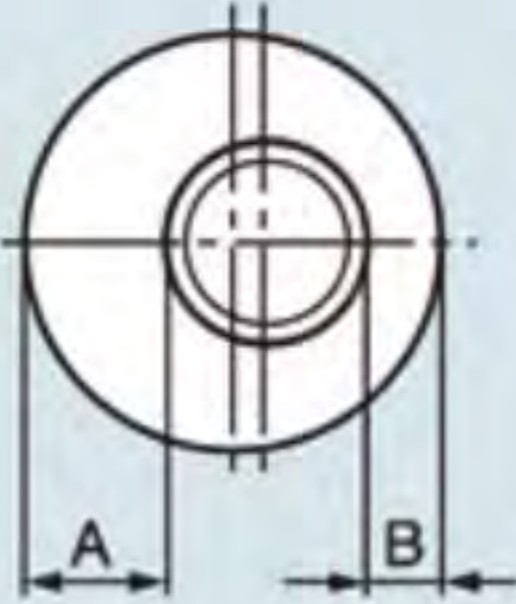


Chamfered end used. However, for M5 and below as-rolled end can be used as well.



Axis and flange inclination



A-B maximum 0.3