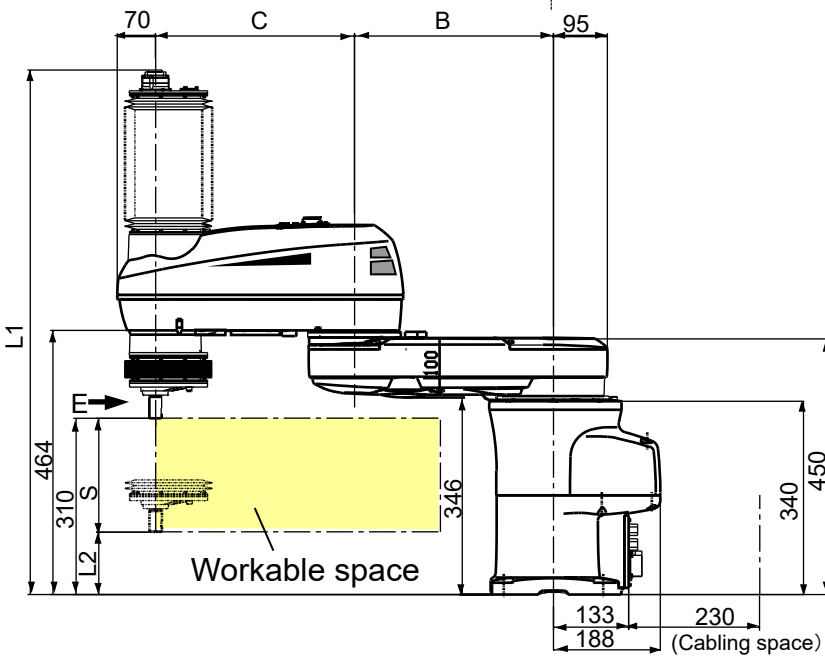
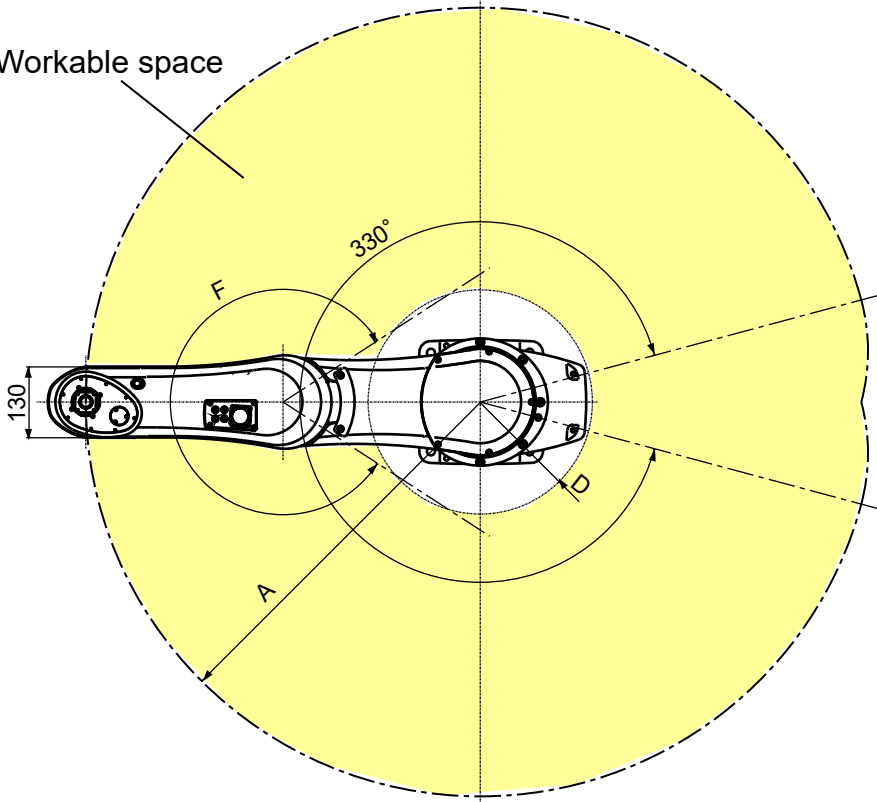
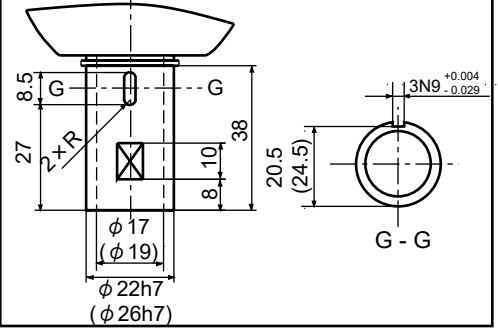


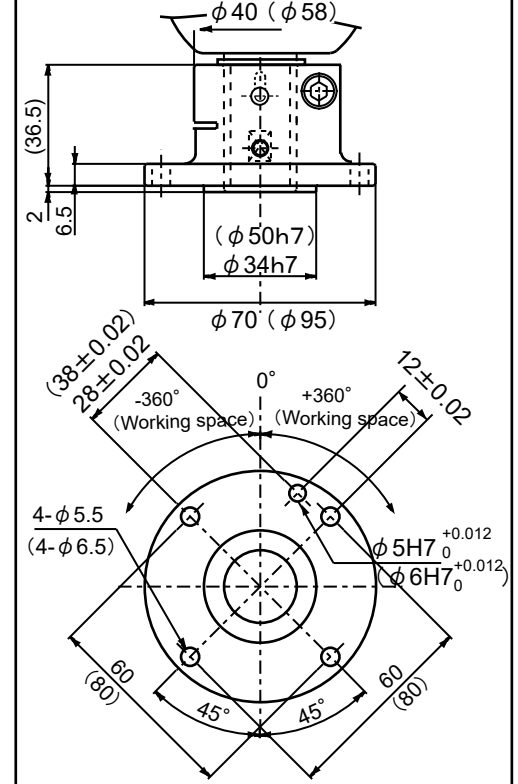
Workable space



Detailed drawing of hand mounting face (Viewed from E). (Note 1)



Flange (option) mounting face (Note 1)



Unit: mm

| Type   | A    | B   | C   | D   | F    |
|--|------|-----|-----|-----|------|
| HM-4060*-W, HM-4A60*-W                             | 600  | 250 | 350 | 226 | 280° |
| HM-4070*-W, HM-4A70*-W                             | 700  | 350 | 350 | 205 | 292° |
| HM-4085*-W, HM-4A85*-W<br>HM-4A852-C5, HM-4A853-C5 | 850  | 350 | 500 | 281 | 294° |
| HM-40A0*-W, HM-4AA0*-W<br>HM-4AA02-C5, HM-4AA03-C5 | 1000 | 500 | 500 | 284 | 294° |

| S (Z axis stroke) | L1   | L2  |
|-------------------|------|-----|
| 200               | 925  | 110 |
| 300               | 1025 | 10  |
| 400 (Note2)       | 1125 | -90 |

Note 1: Values denote dimensions for the 10kg payload type (HM-40\*\*\*-W), and values enclosed in ( ) denote dimensions for the 20kg payload type (HM-4A\*\*\*-W).

Note 2: In the case of the Z axis 400mm stroke type, the Z axis in the lowermost position may reach lower than the base mounting face.

Base mounting dimensions (Viewed from top)

