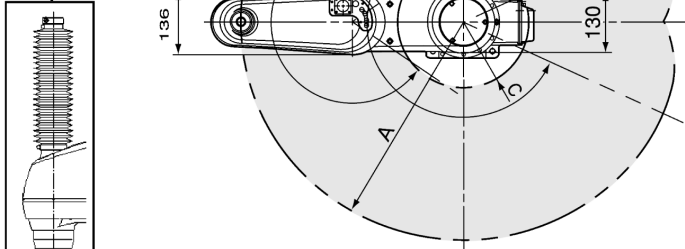


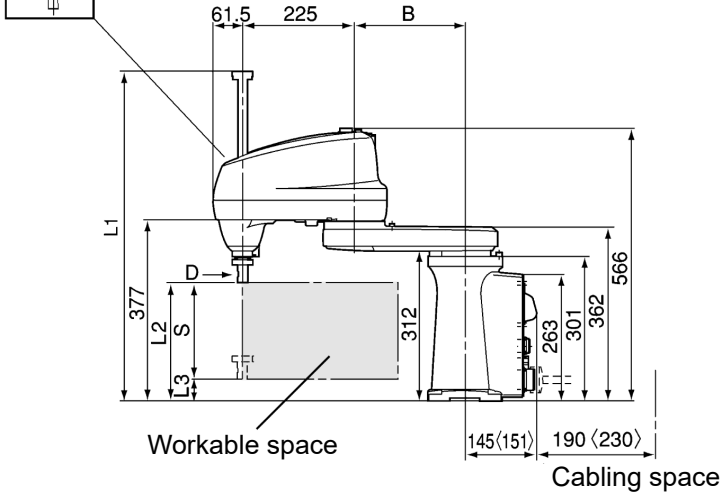
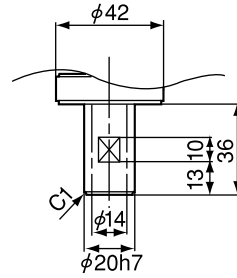
<HS-G>

Workable space

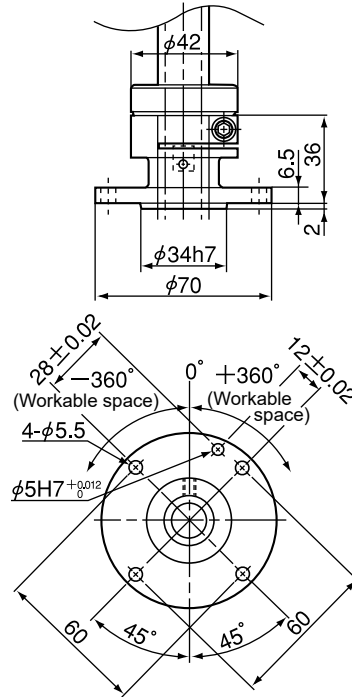
Dust- & splash-proof type and Cleanroom type



Detailed drawing of hand mounting face (Viewed from D)

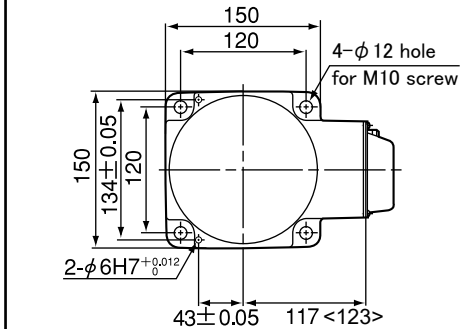


Flange (option) mounting face



Unit: mm

Base mounting dimensions



Model	A	B	C
HS-4535*G	350	125	143
HS-4545*G	450	225	136
HS-4555*G	550	325	191

S(mm)	Type	L1	L2	L3
*2:200	Standard	697	246	46
	Dust- & splash-proof	790	206	6
	Cleanroom	798		
*3:320	Standard	817	246	-74*1
	Dust- & splash-proof	910	206	-114*1
	Cleanroom	918		

Note: Values enclosed in < > denote dimensions for the dust- & splash-proof type or cleanroom type.

*1 If the Z-axis stroke is 320mm, the Z axis in the lowermost position may reach below the base mounting face.