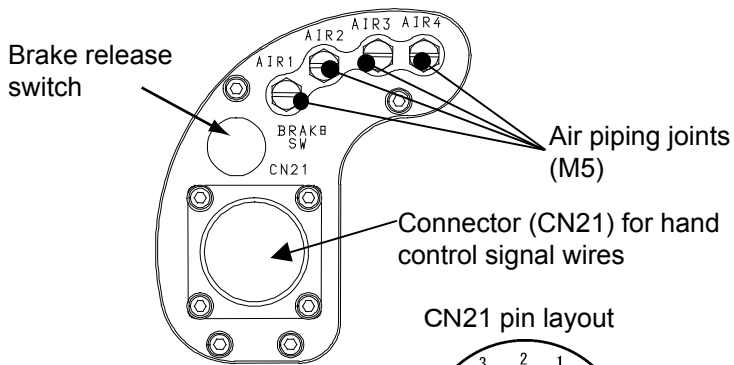
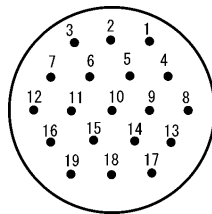


View in direction
of arrow (A)



CN21 pin layout



View in direction
of arrow (B)

