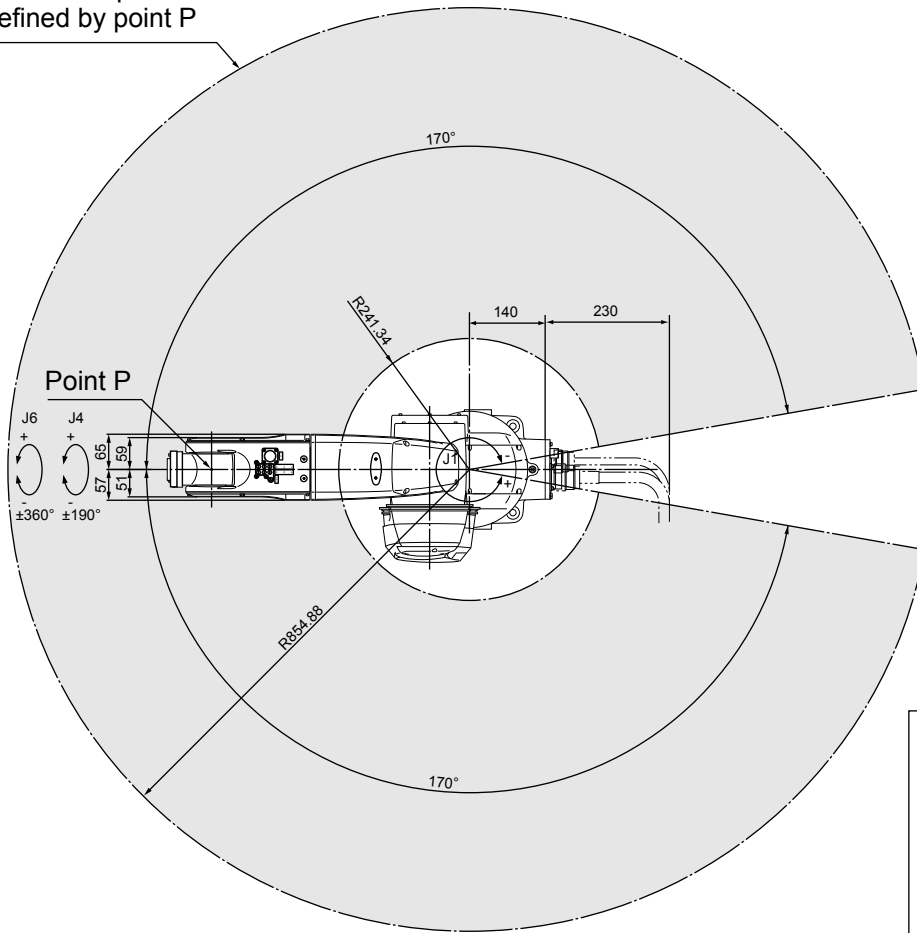
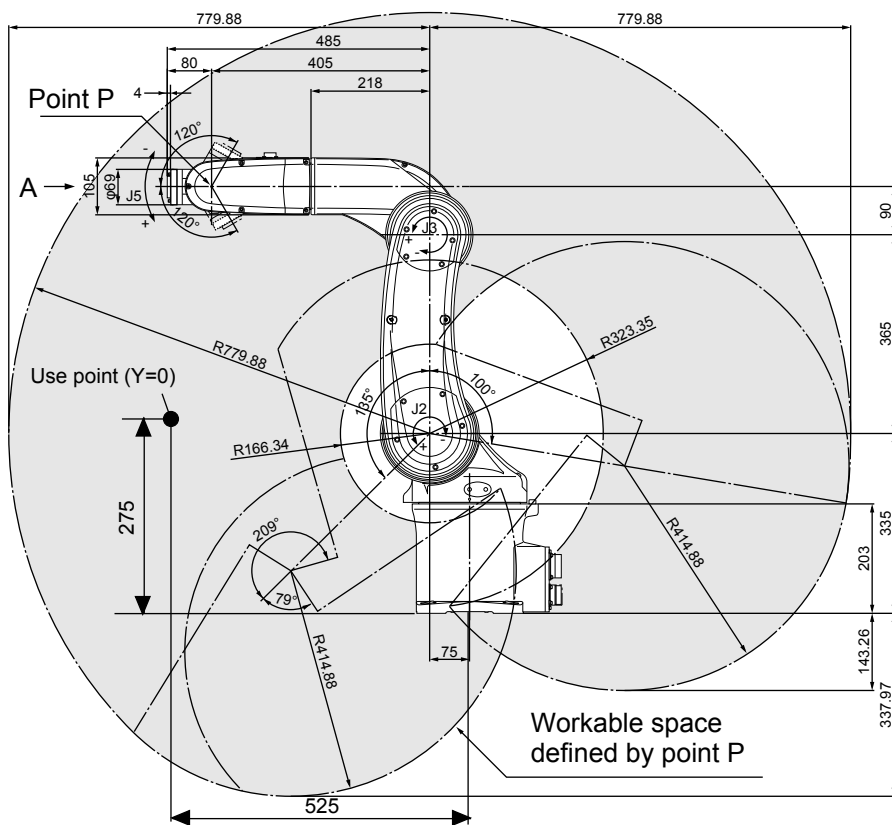
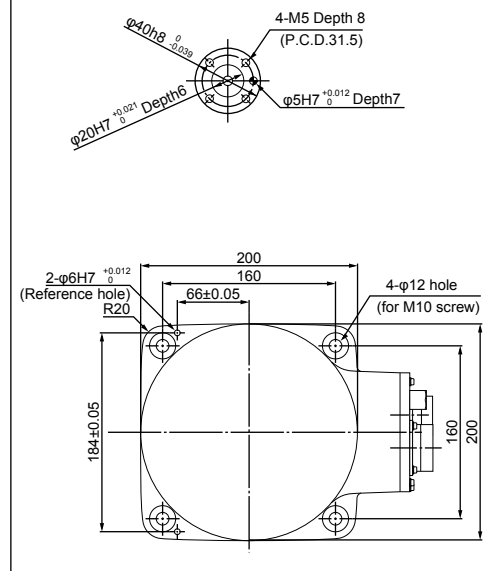


Workable space defined by point P



Detailed drawing of end-effector mounting face (view A)



Workable space defined by point P