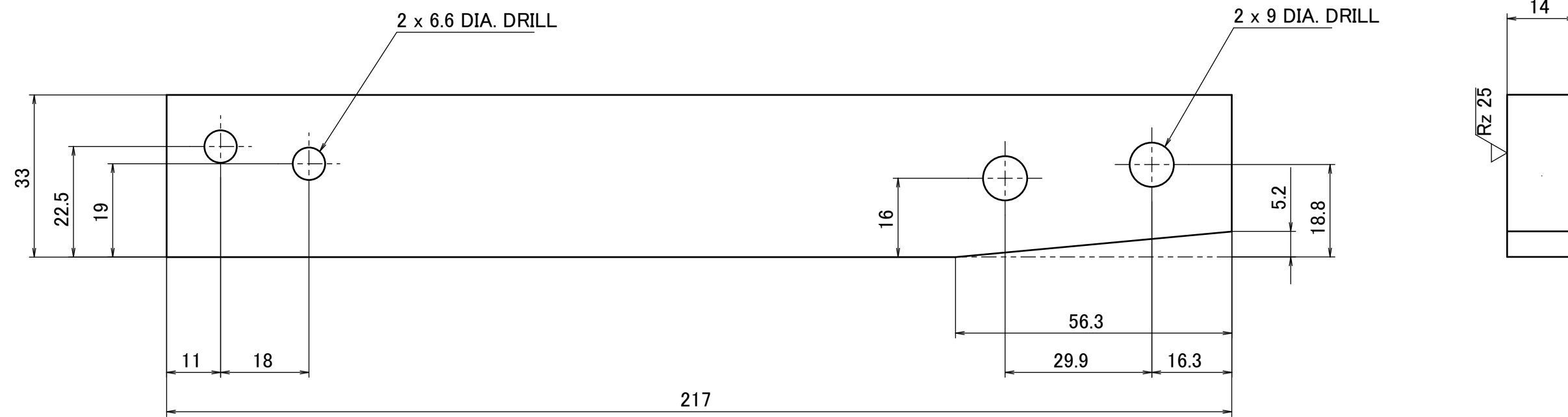


# Reference drawing of Part B

$\sqrt{Rz\ 100}$  (  $\sqrt{Rz\ 25}$  )



MATERIAL A2017-T4