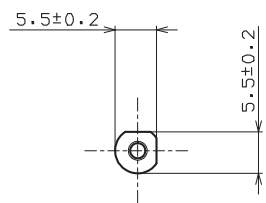
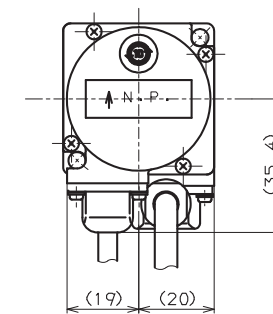
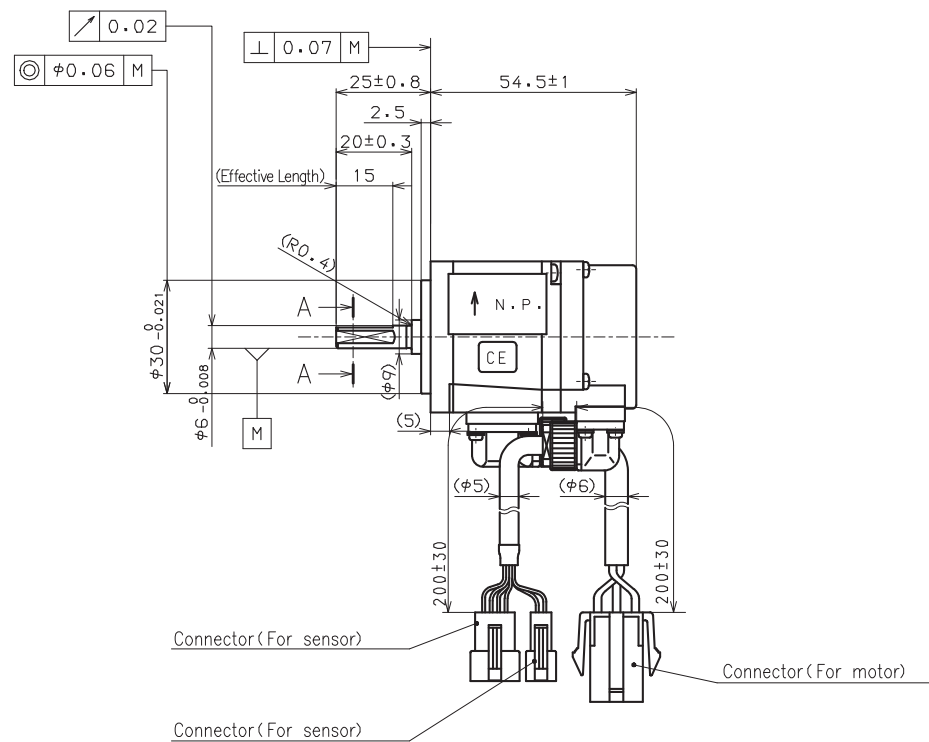
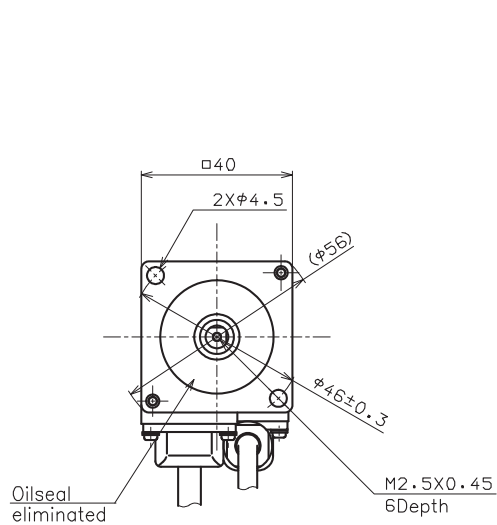


Model	R2AA04003FXPWL*
Part No.	410627-117*



A - A (2 : 1)

