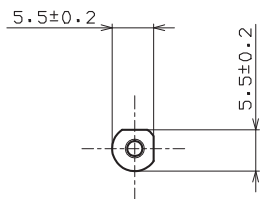
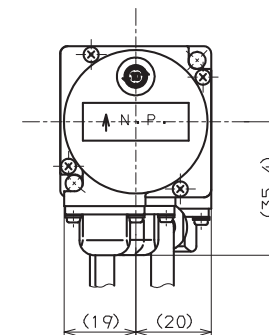
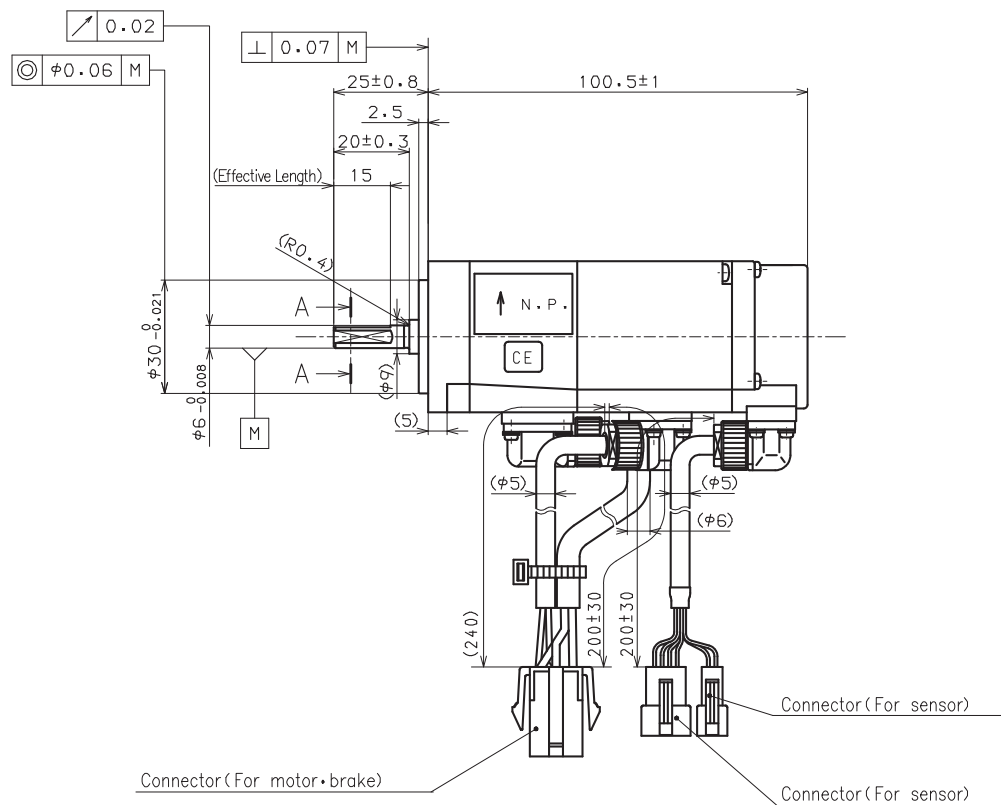
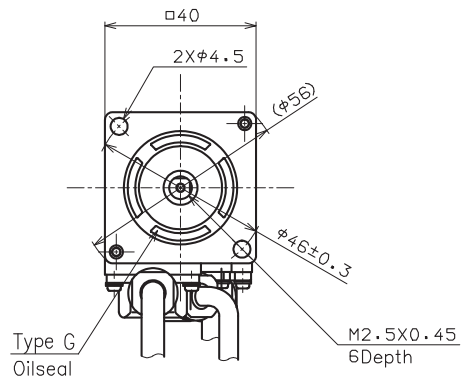


| | |
|----------|-----------------|
| Model | R2AA04005FCPWM* |
| Part No. | 410627-140* |



A - A (2 : 1)

