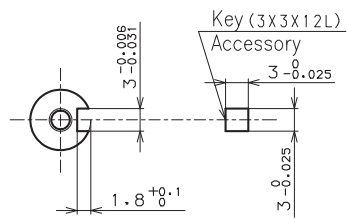
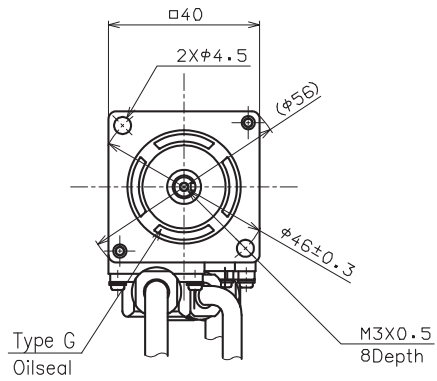


Model	R2AA04010FCPWK*
Part No.	410627-142*



A - A (2 : 1)

