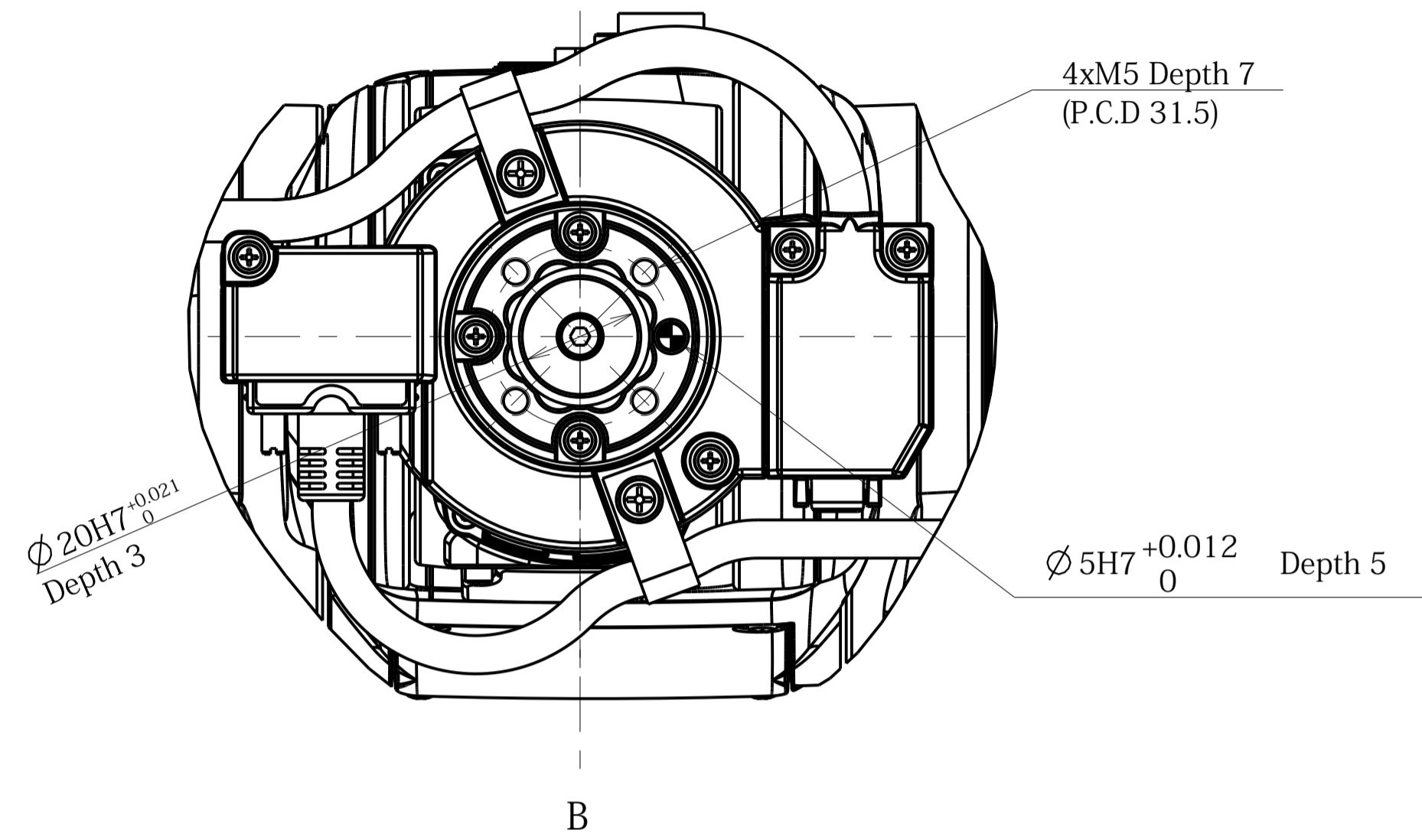
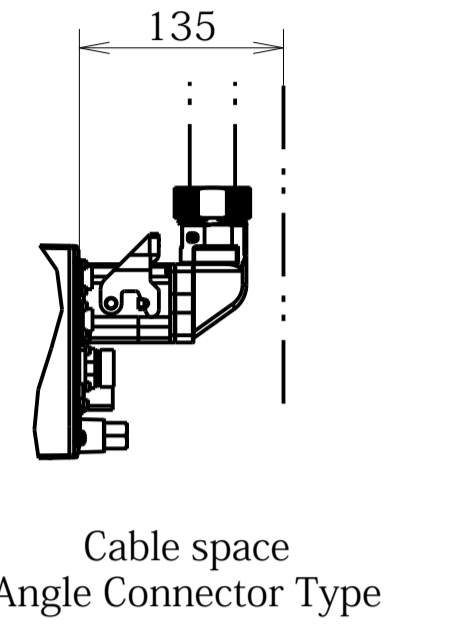
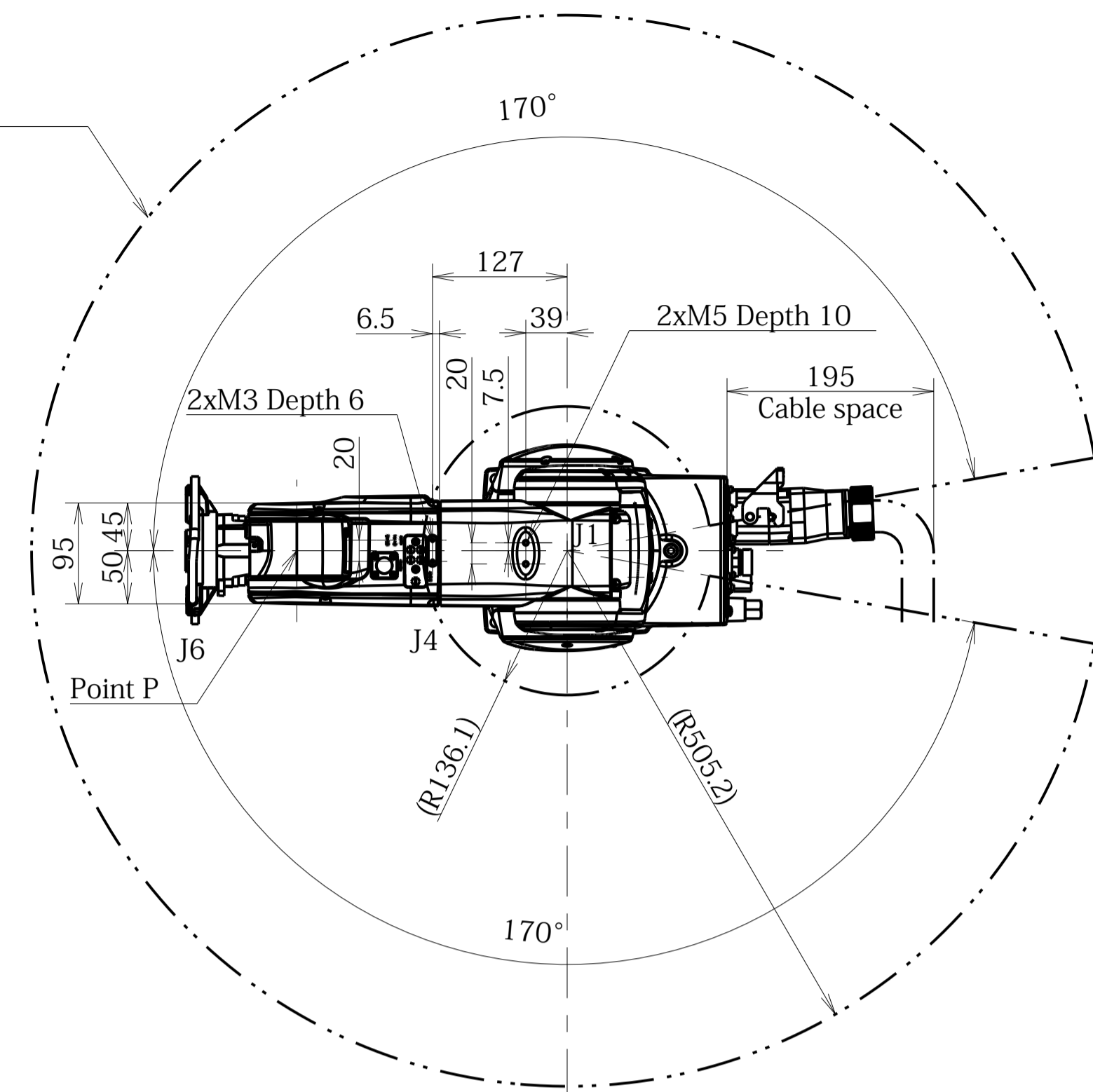


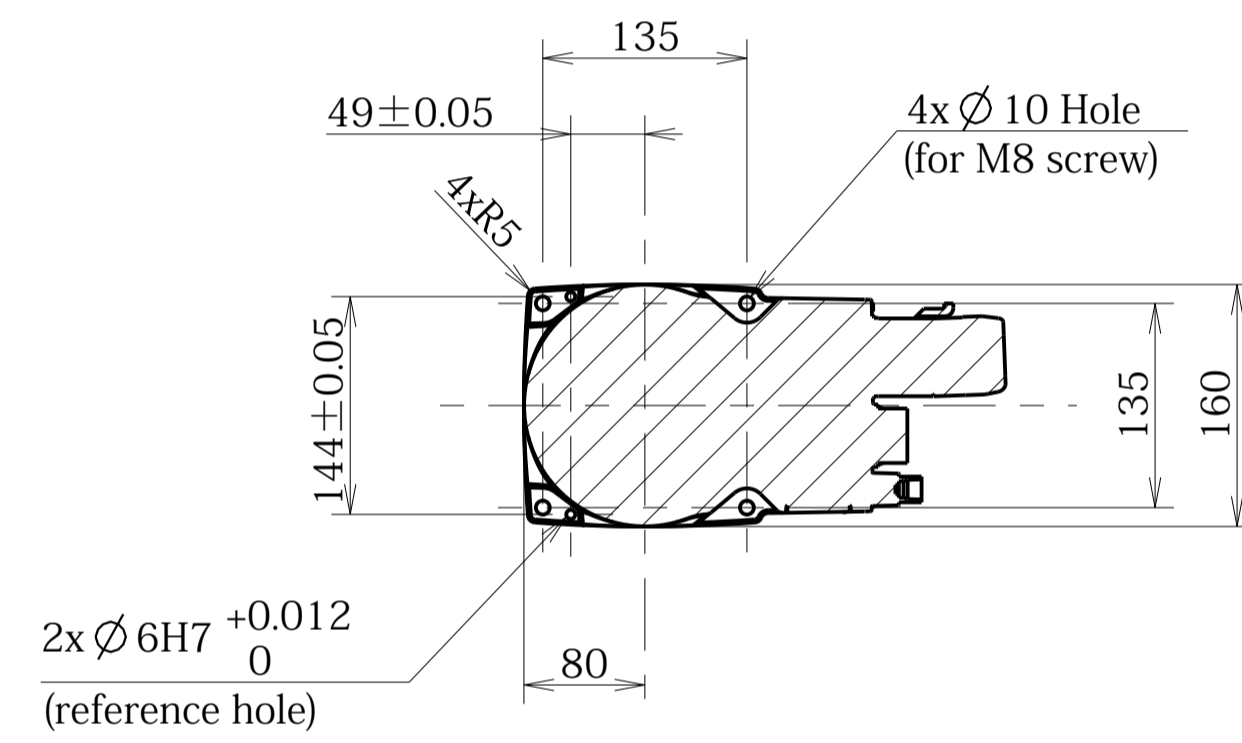
Detailed drawing of end-effector mounting face



Workable space
defined by point P



Detailed drawing of base mounting face



- J1=±170°
- J2=±120°
- J3=+151° , -120°
- J4=±270°
- J5=+120° , -110°
- J6=±360°

