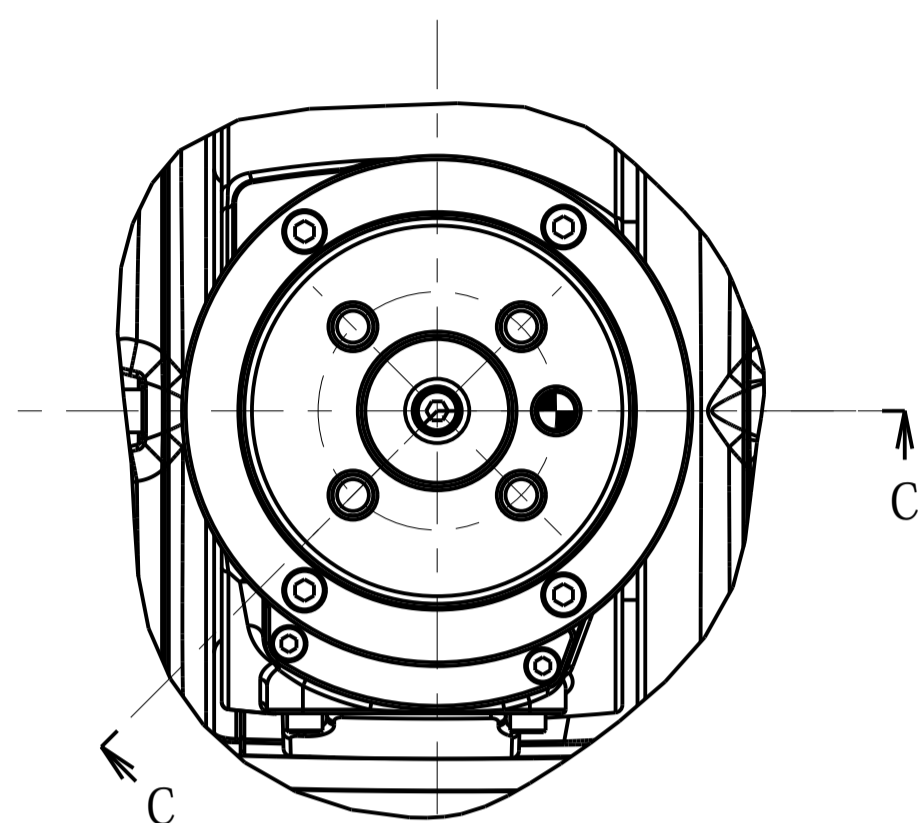
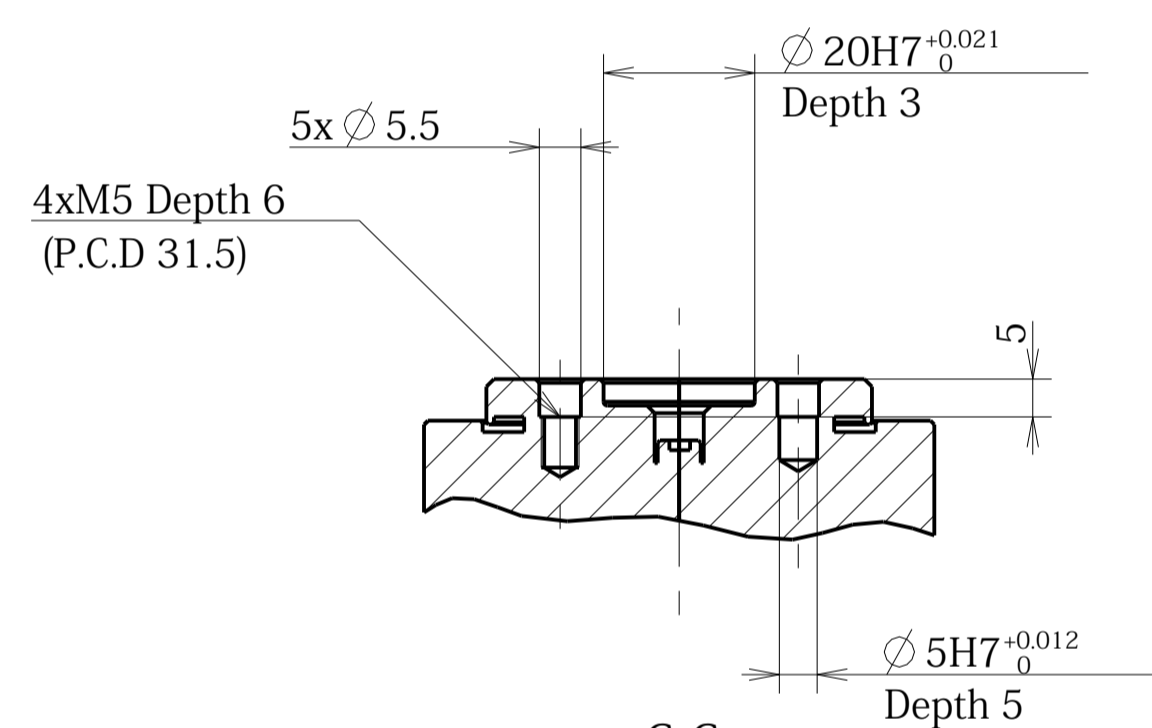


VS-050 (Rear Connector Panel, Standard Flange, Cleanroom (class 5 cleanliness-ISO 14644-1)  
 410590-3530  
 VS-050 (Rear Connector Panel, Standard Flange, Cleanroom (class 3 cleanliness-ISO 14644-1)  
 410590-3690

Detailed drawing of end-effector mounting face

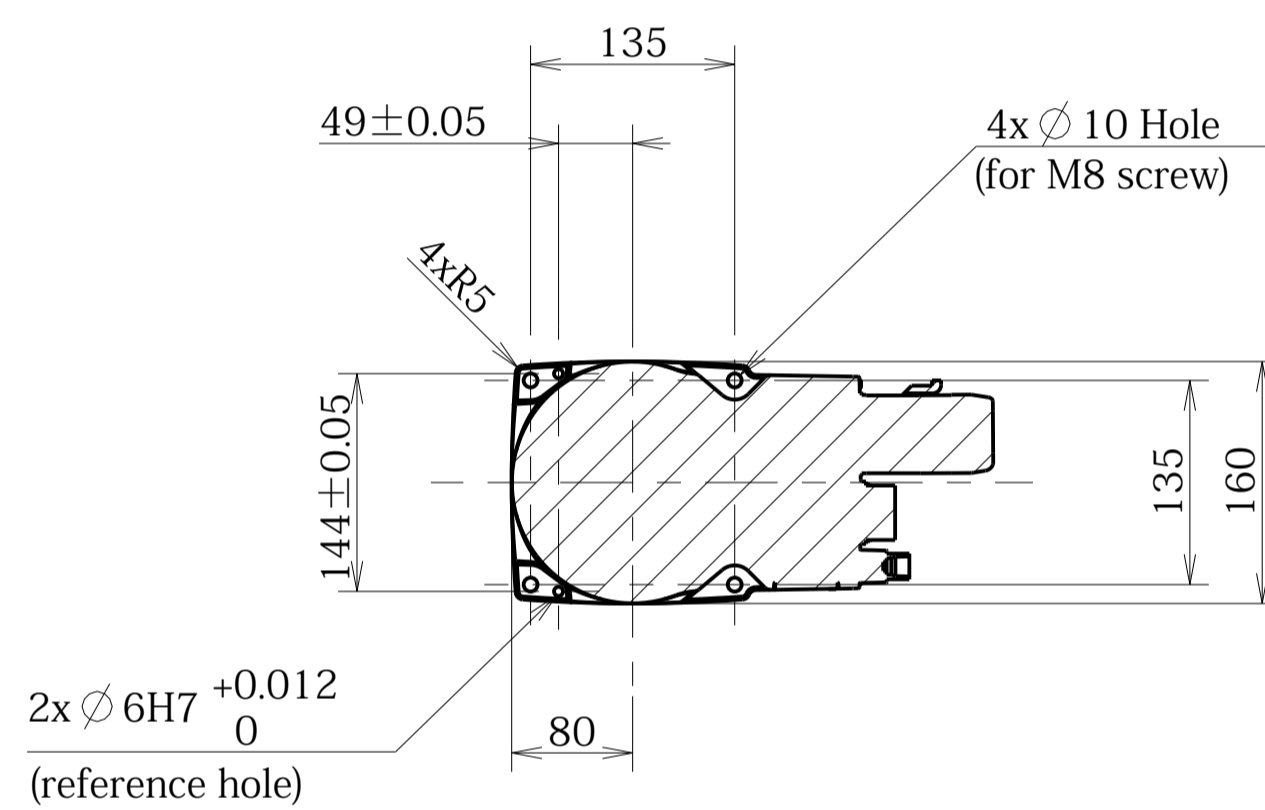


B

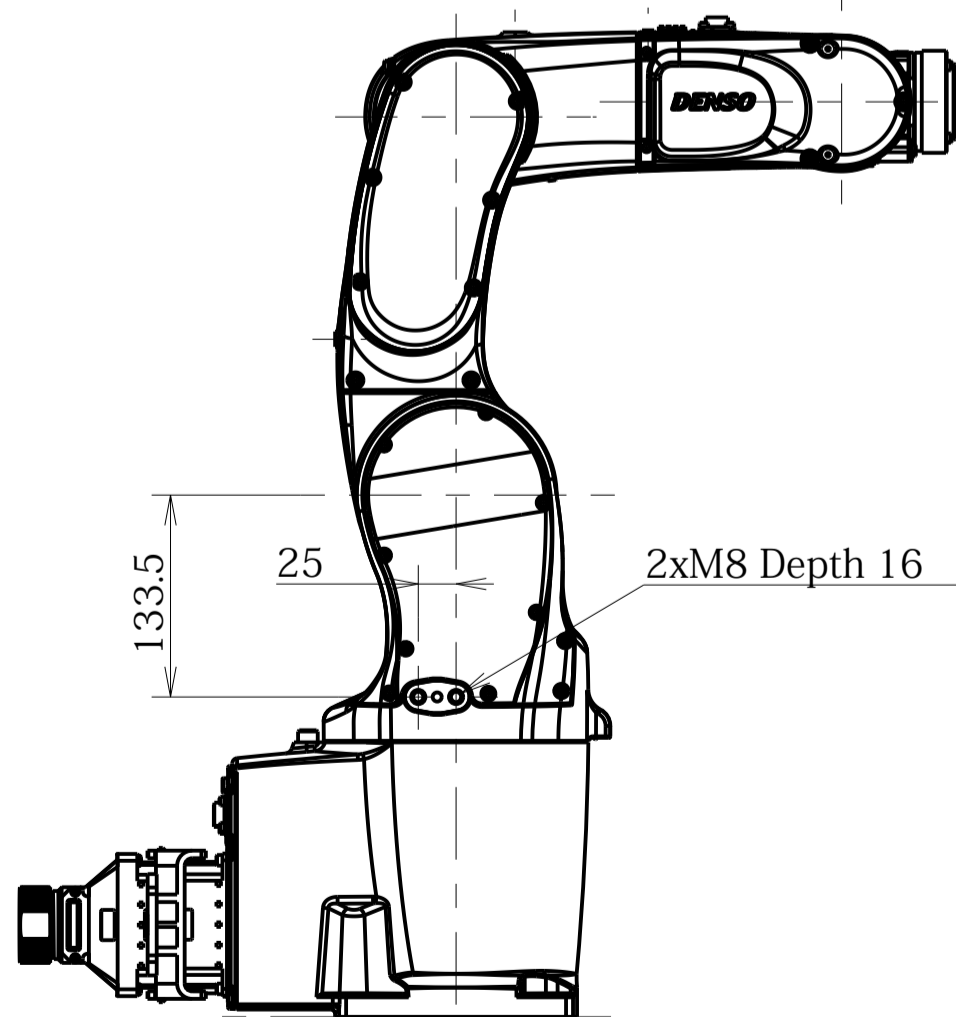
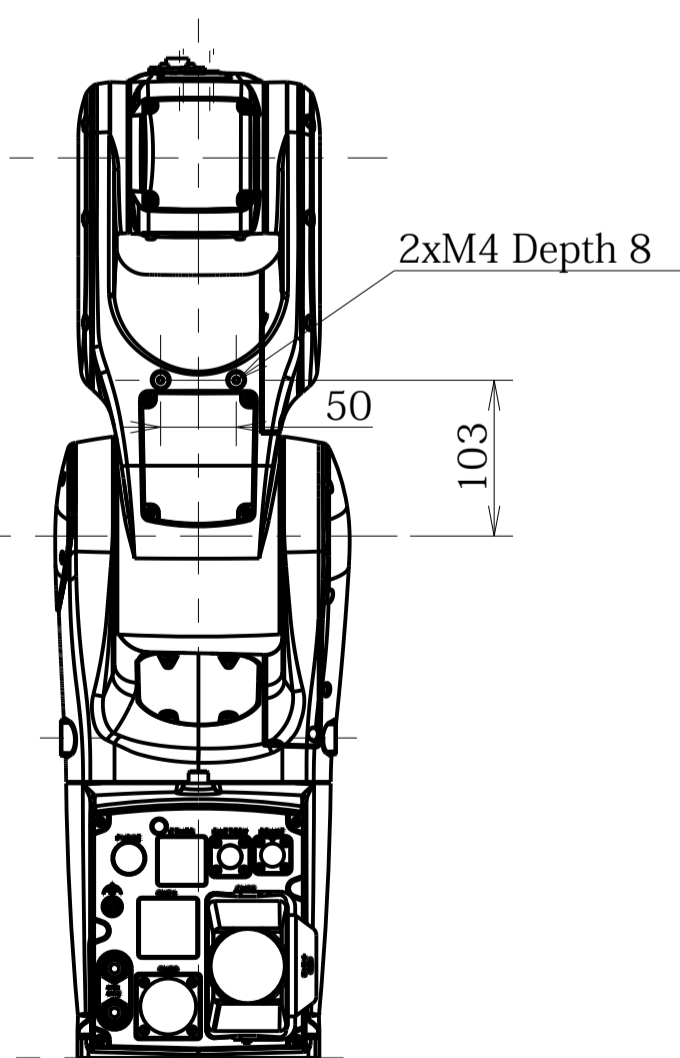


C-C

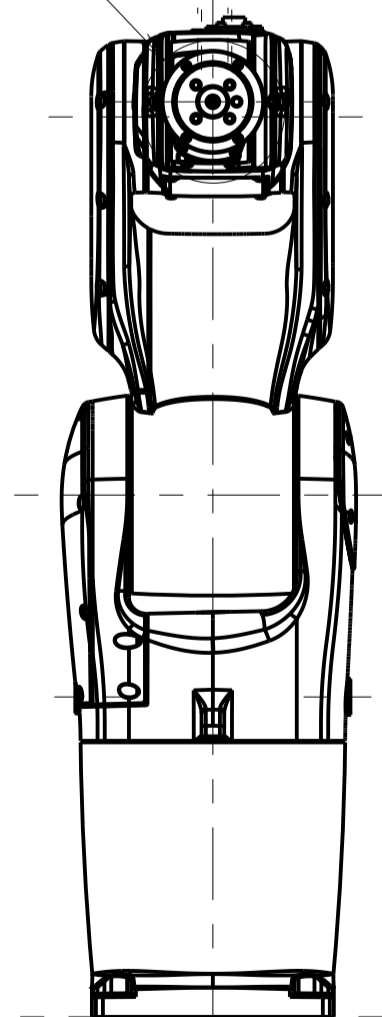
Detailed drawing of base mounting face



A-A



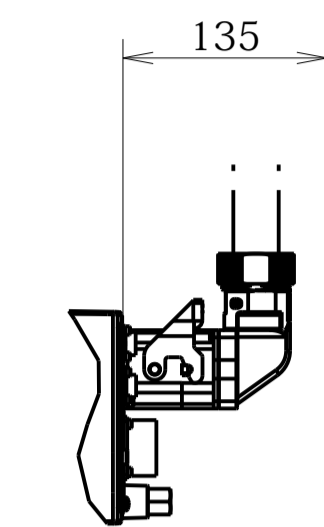
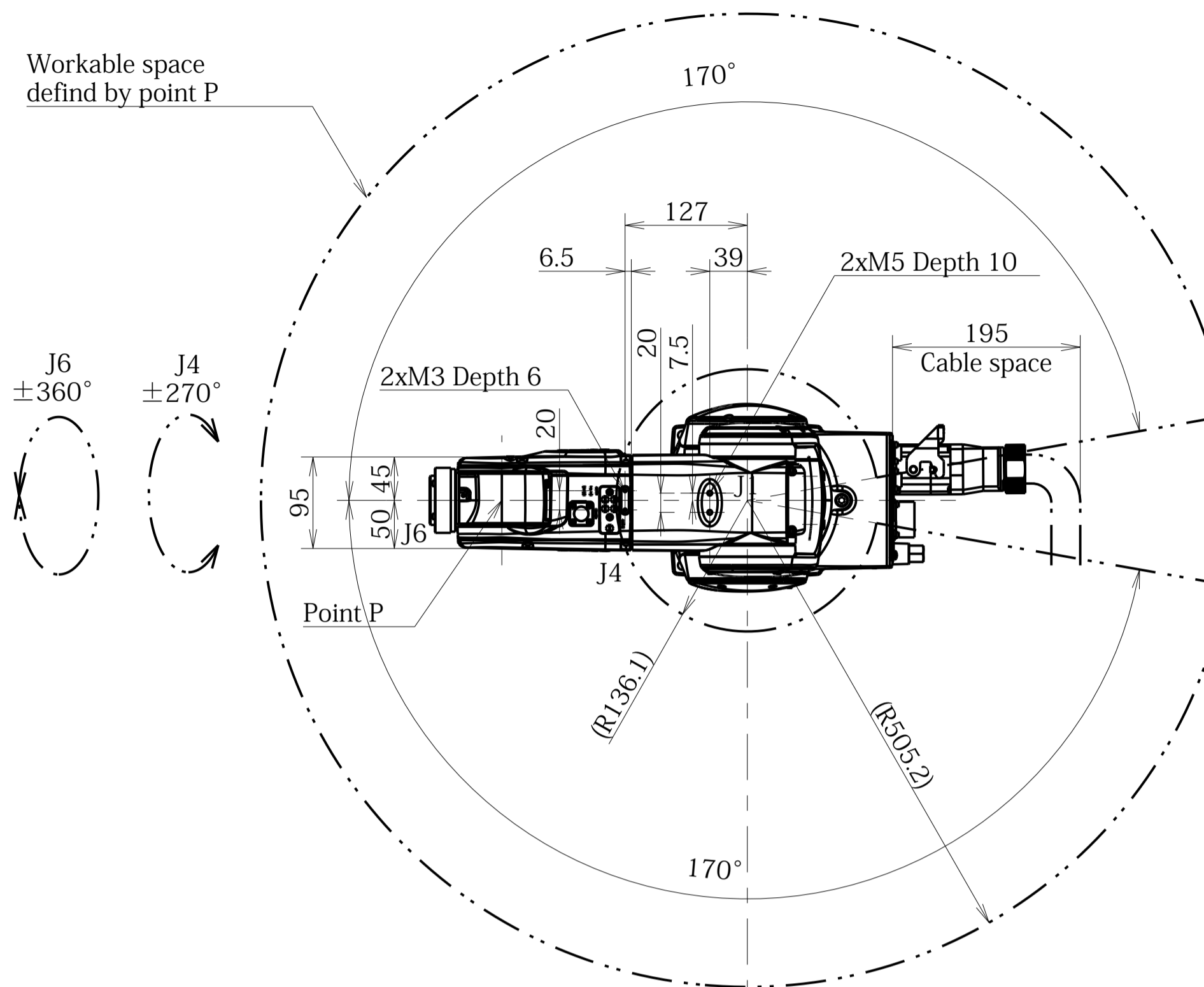
B



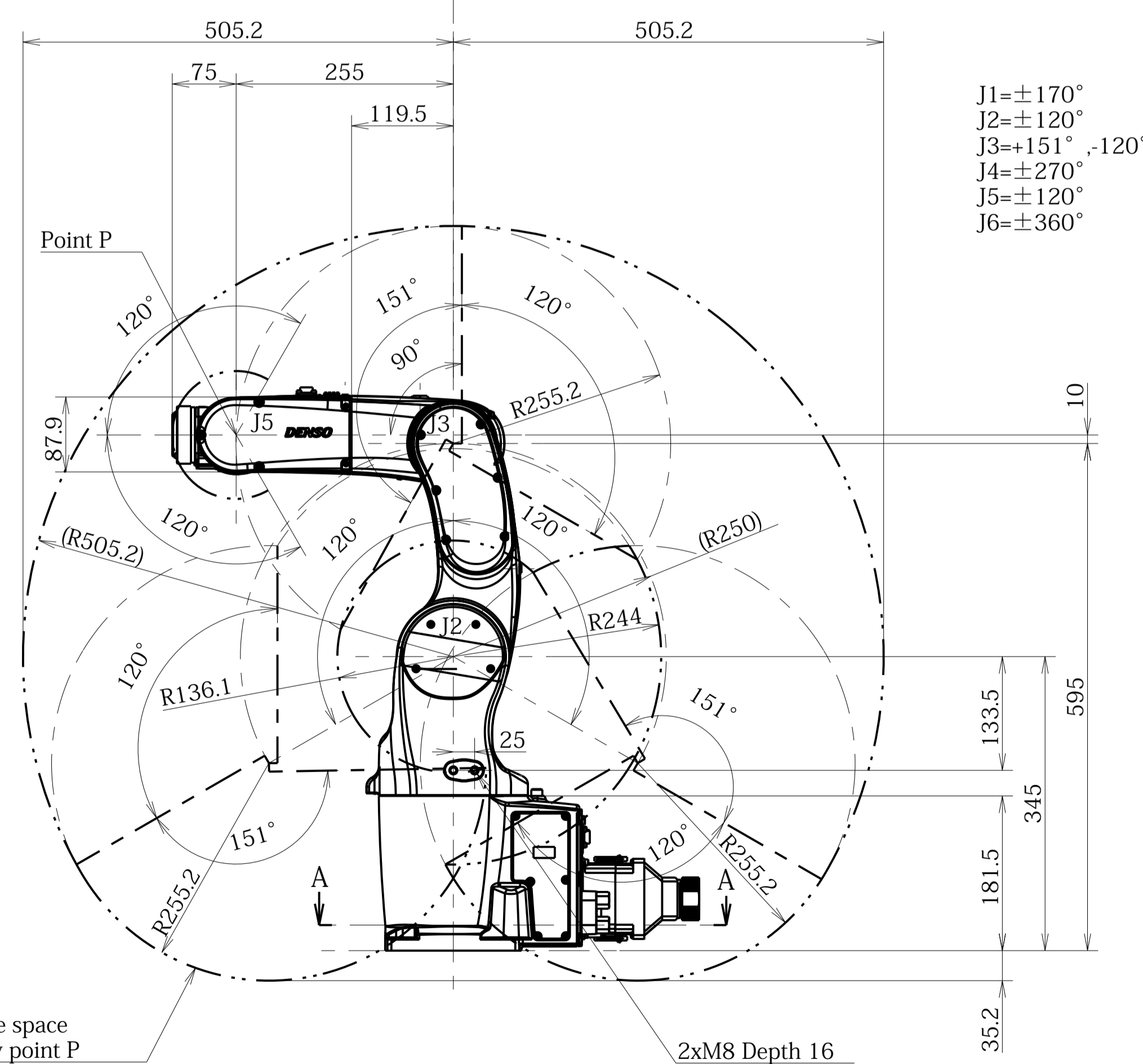
Workable space  
 defined by point P

J6  
 $\pm 360^\circ$

J4  
 $\pm 270^\circ$



Cable space  
 Angle Connector Type



J1= $\pm 170^\circ$   
 J2= $\pm 120^\circ$   
 J3= $+151^\circ, -120^\circ$   
 J4= $\pm 270^\circ$   
 J5= $\pm 120^\circ$   
 J6= $\pm 360^\circ$

Workable space  
 defined by point P

2xM8 Depth 16