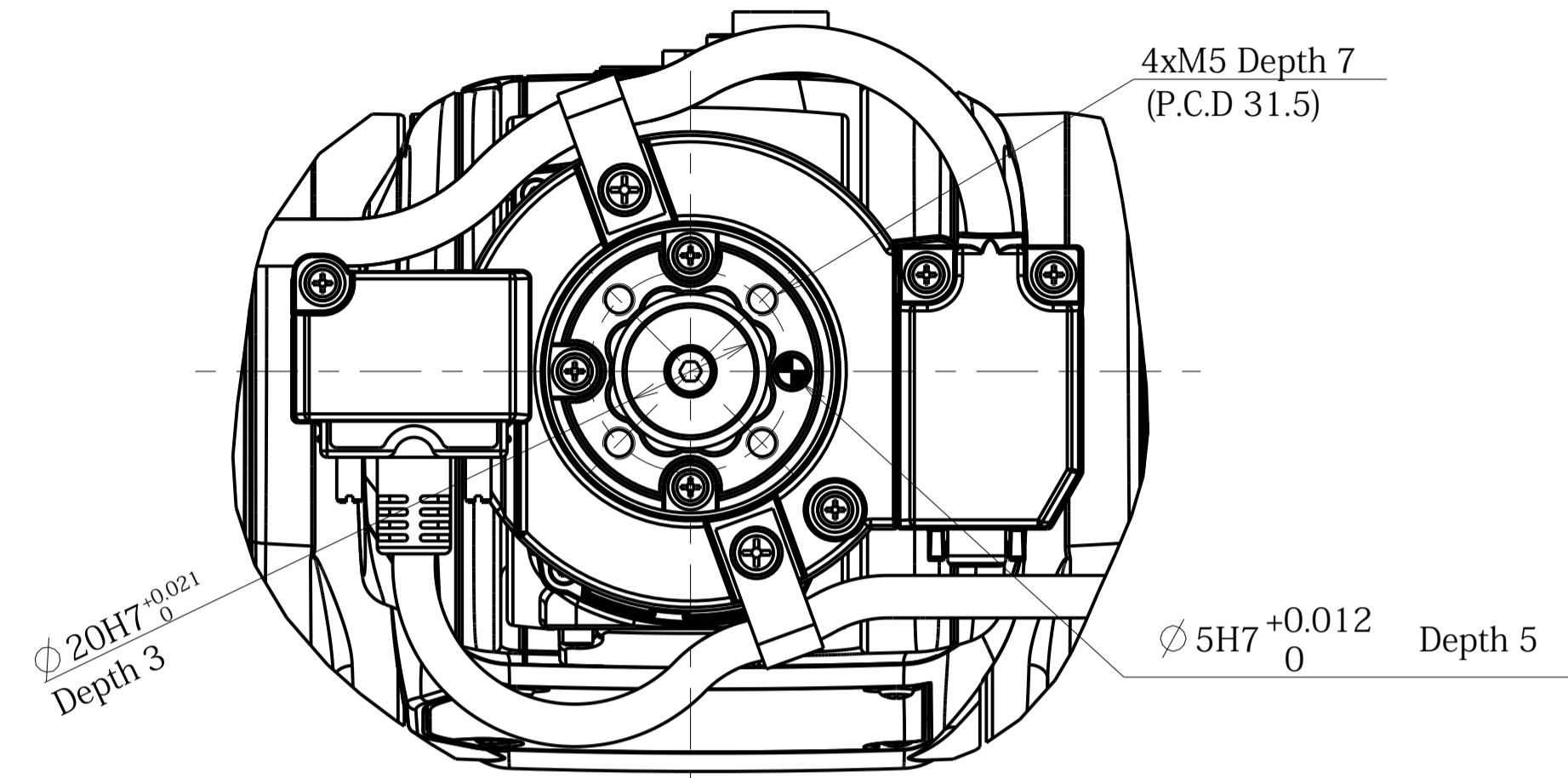
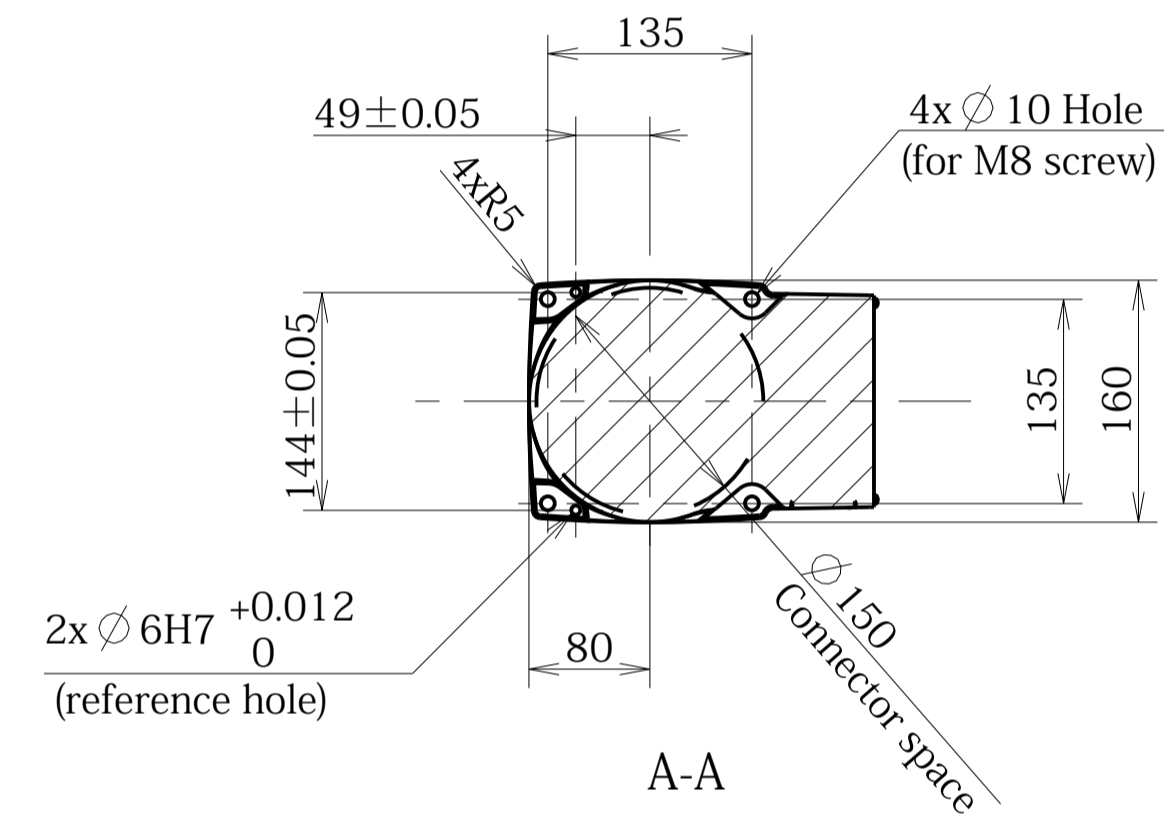


Detailed drawing of end-effector mounting face

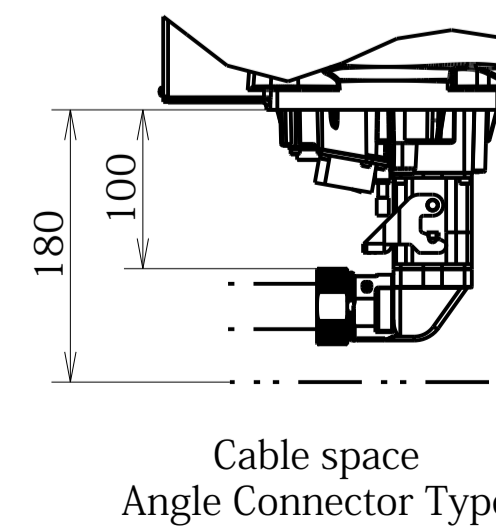
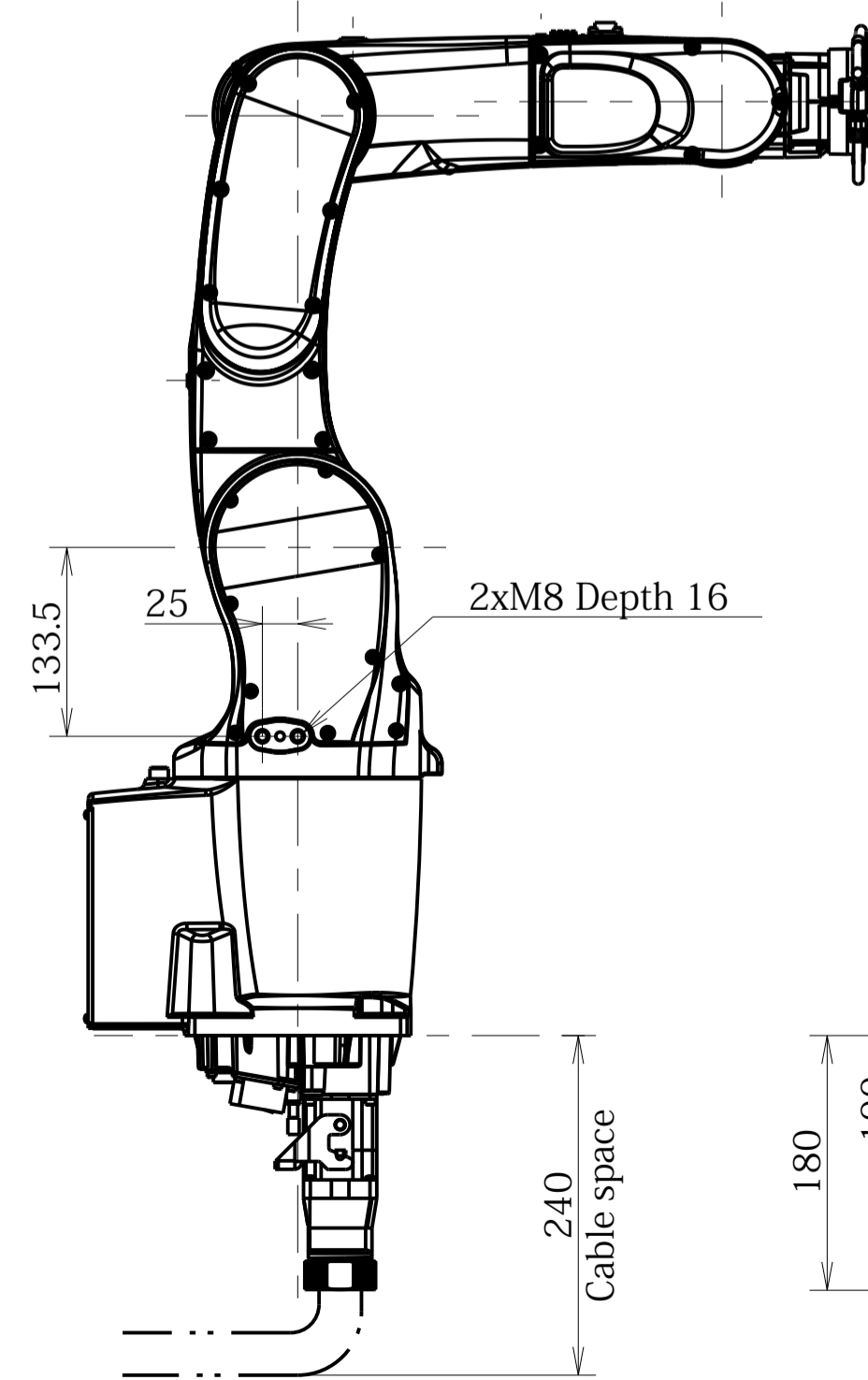
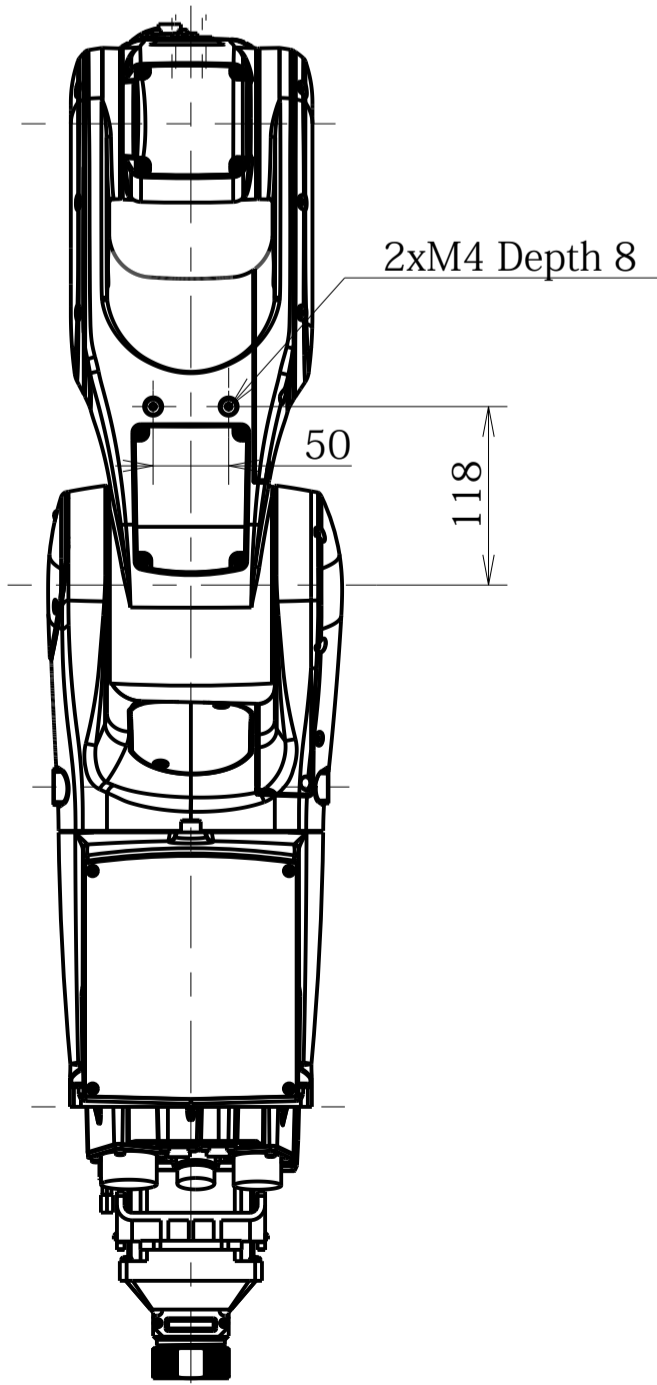


B

Detailed drawing of base mounting face



B



Workable space
definid by point P

