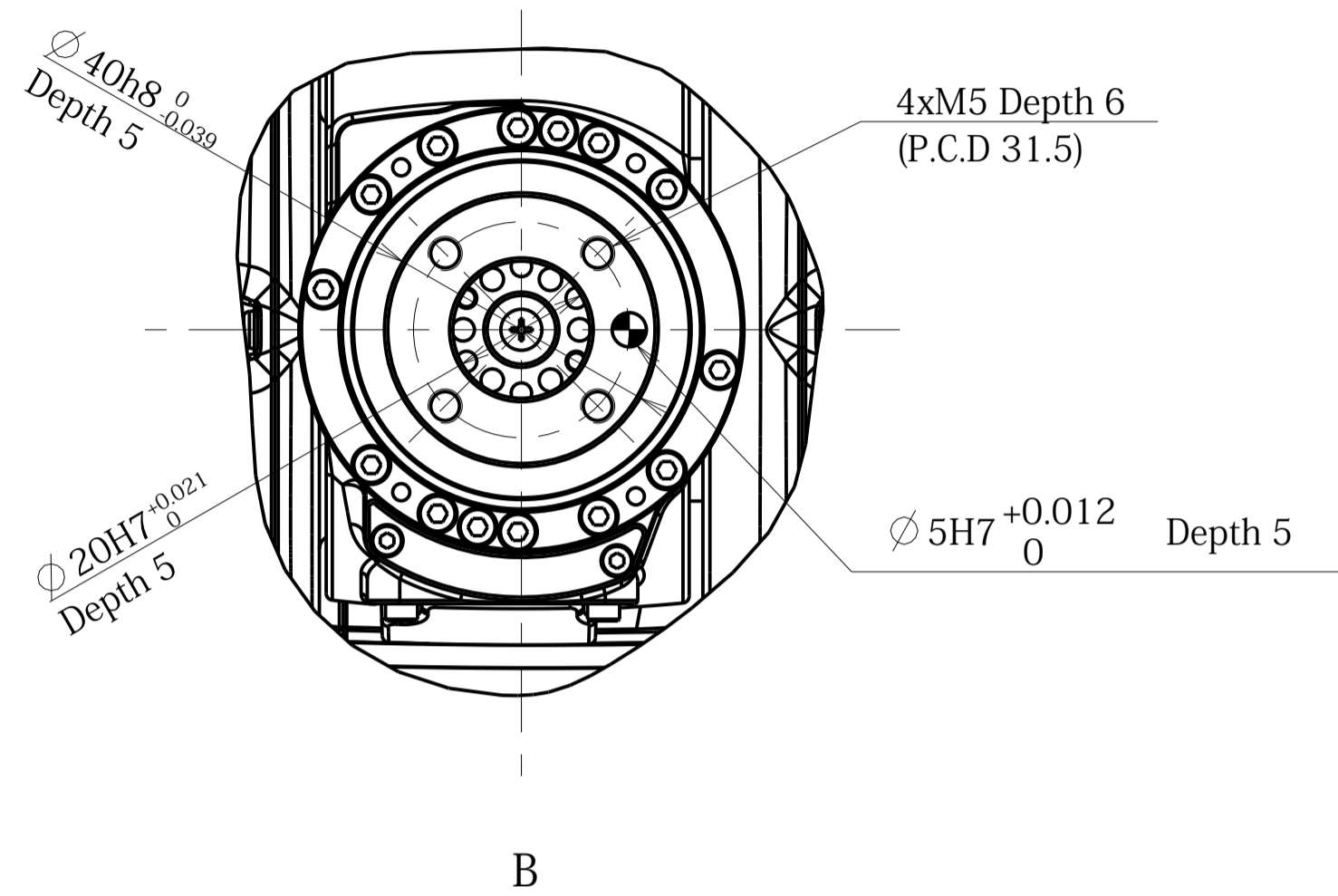
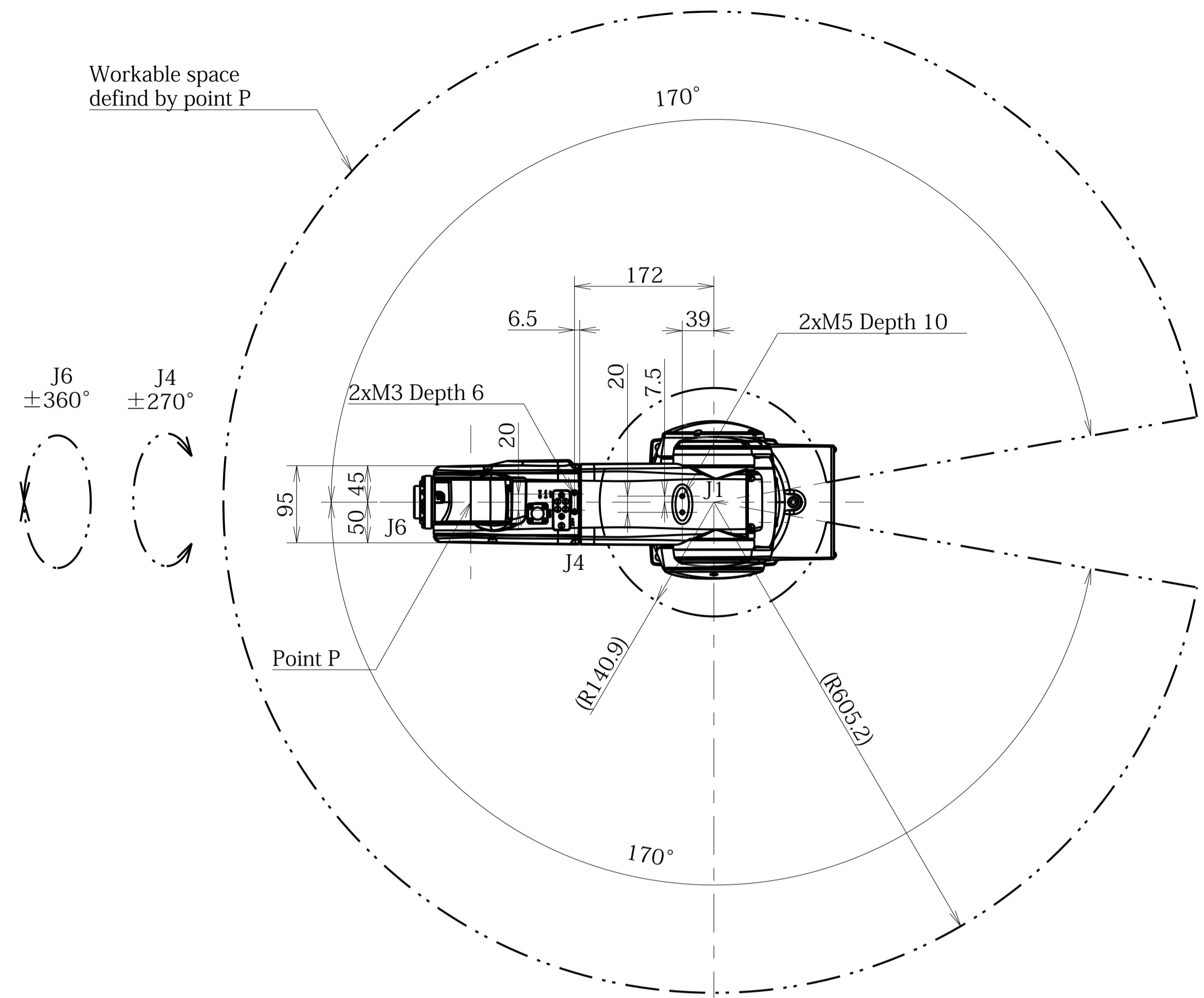


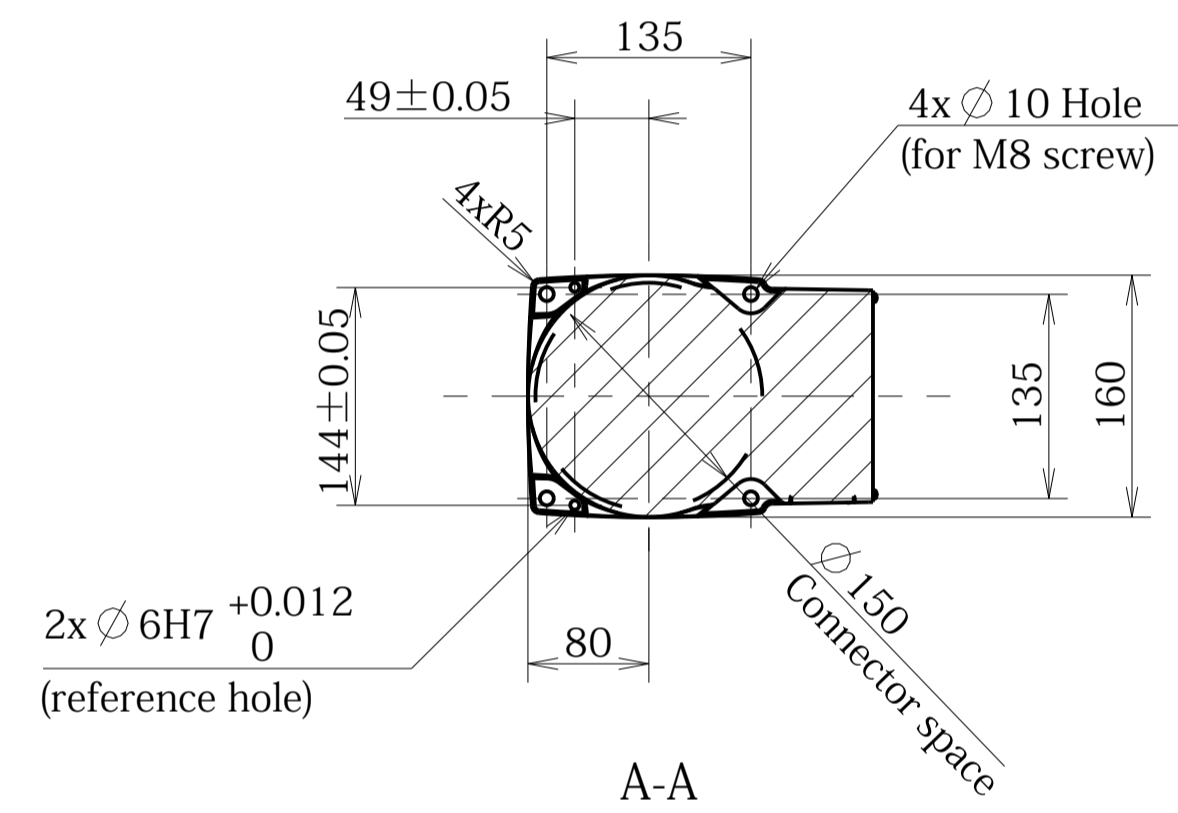
Detailed drawing of end-effector mounting face



Workable space
definid by point P



Detailed drawing of base mounting face



- J1 = $\pm 170^\circ$
- J2 = $\pm 120^\circ$
- J3 = $+155^\circ, -125^\circ$
- J4 = $\pm 270^\circ$
- J5 = $\pm 120^\circ$
- J6 = $\pm 360^\circ$

