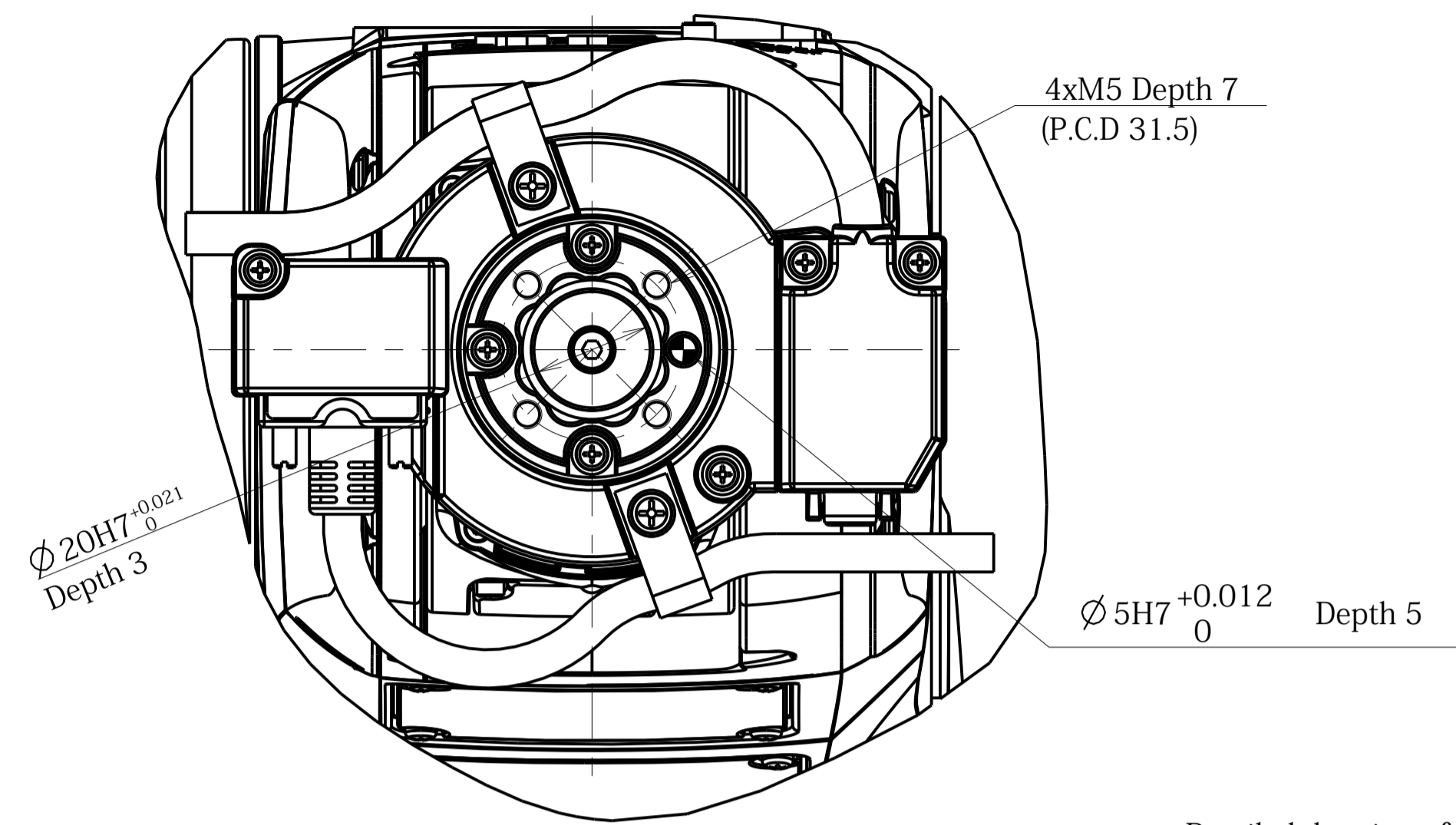
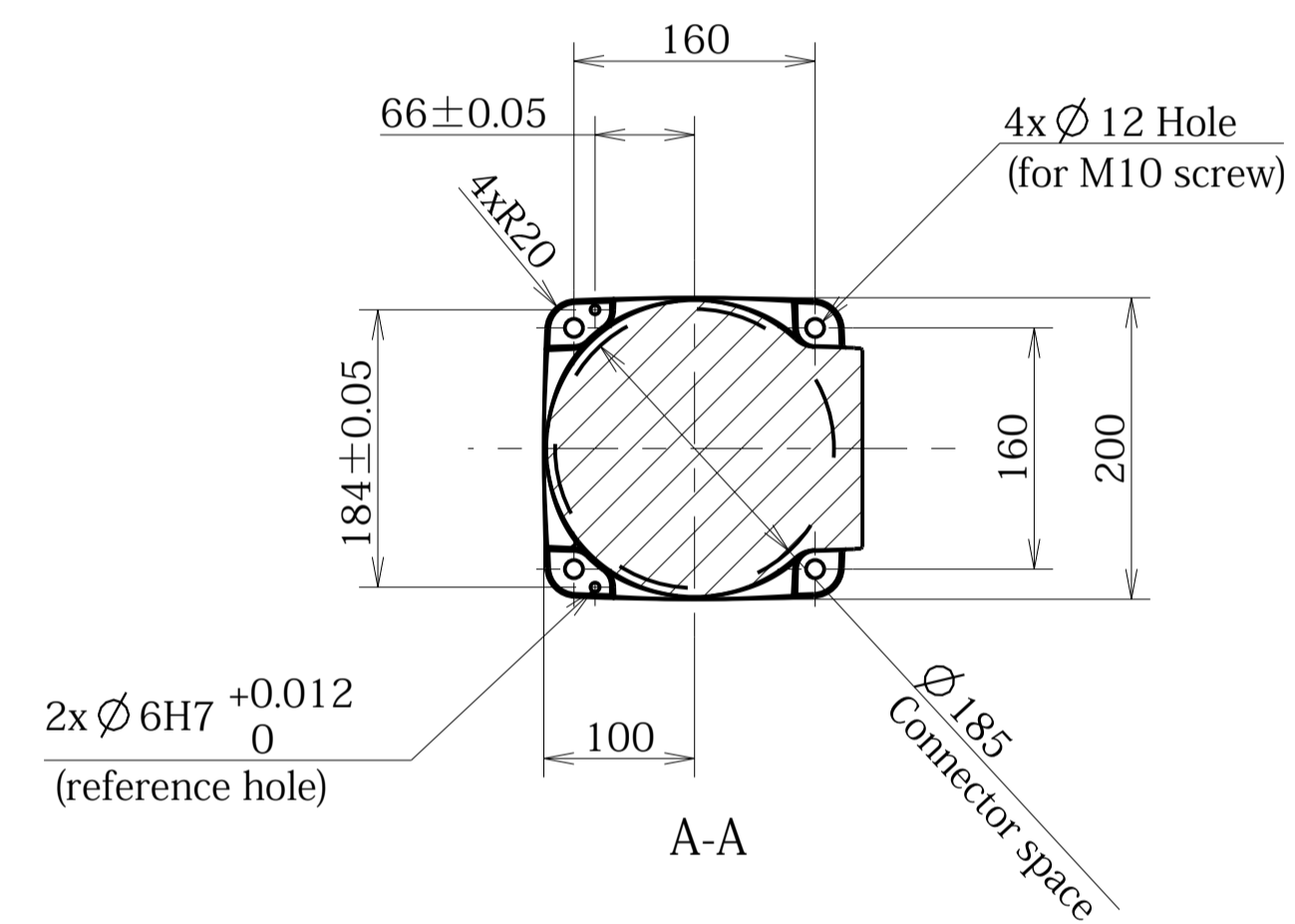


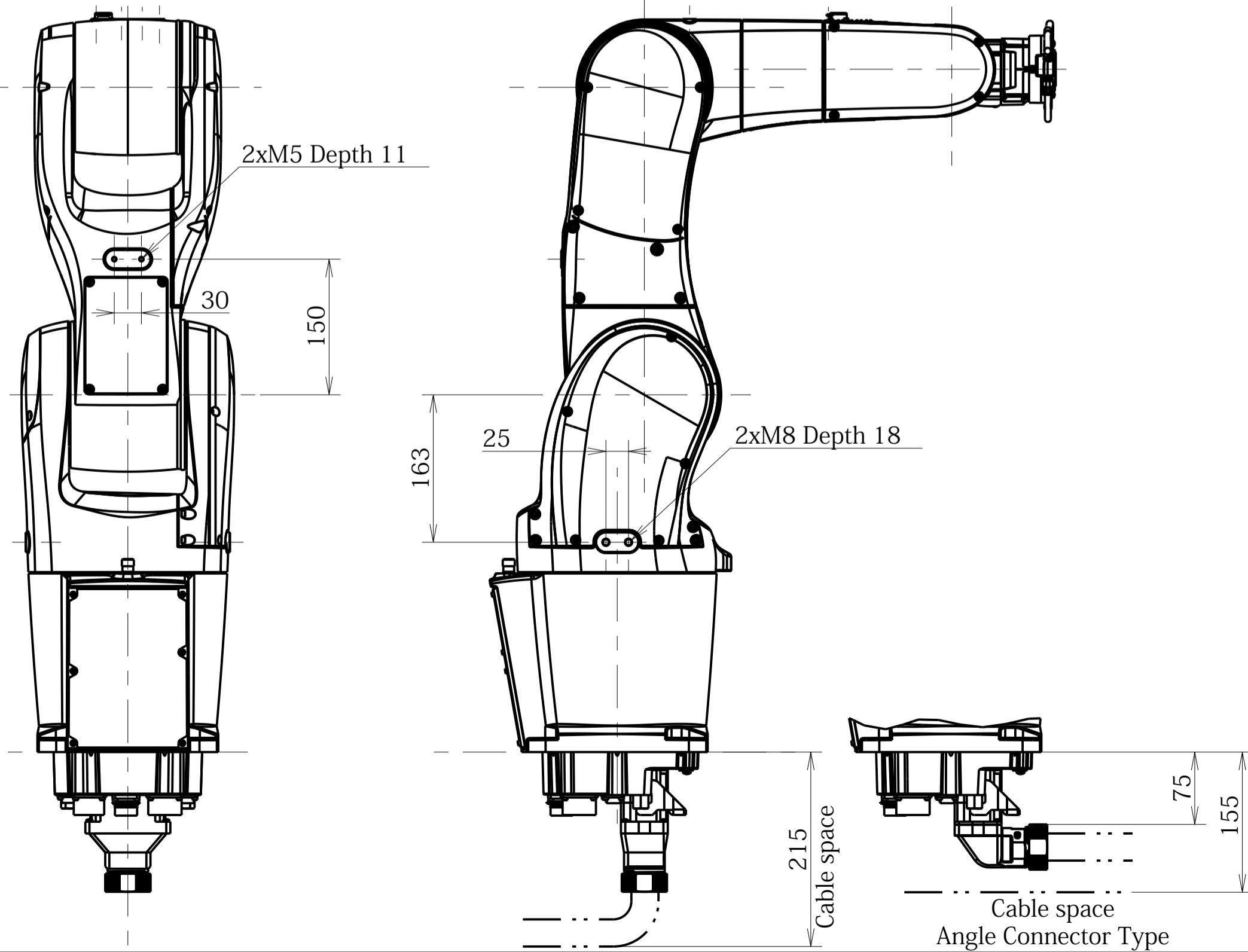
Detailed drawing of end-effector mounting face



Detailed drawing of base mounting face



B



Workable space  
defin by point P

