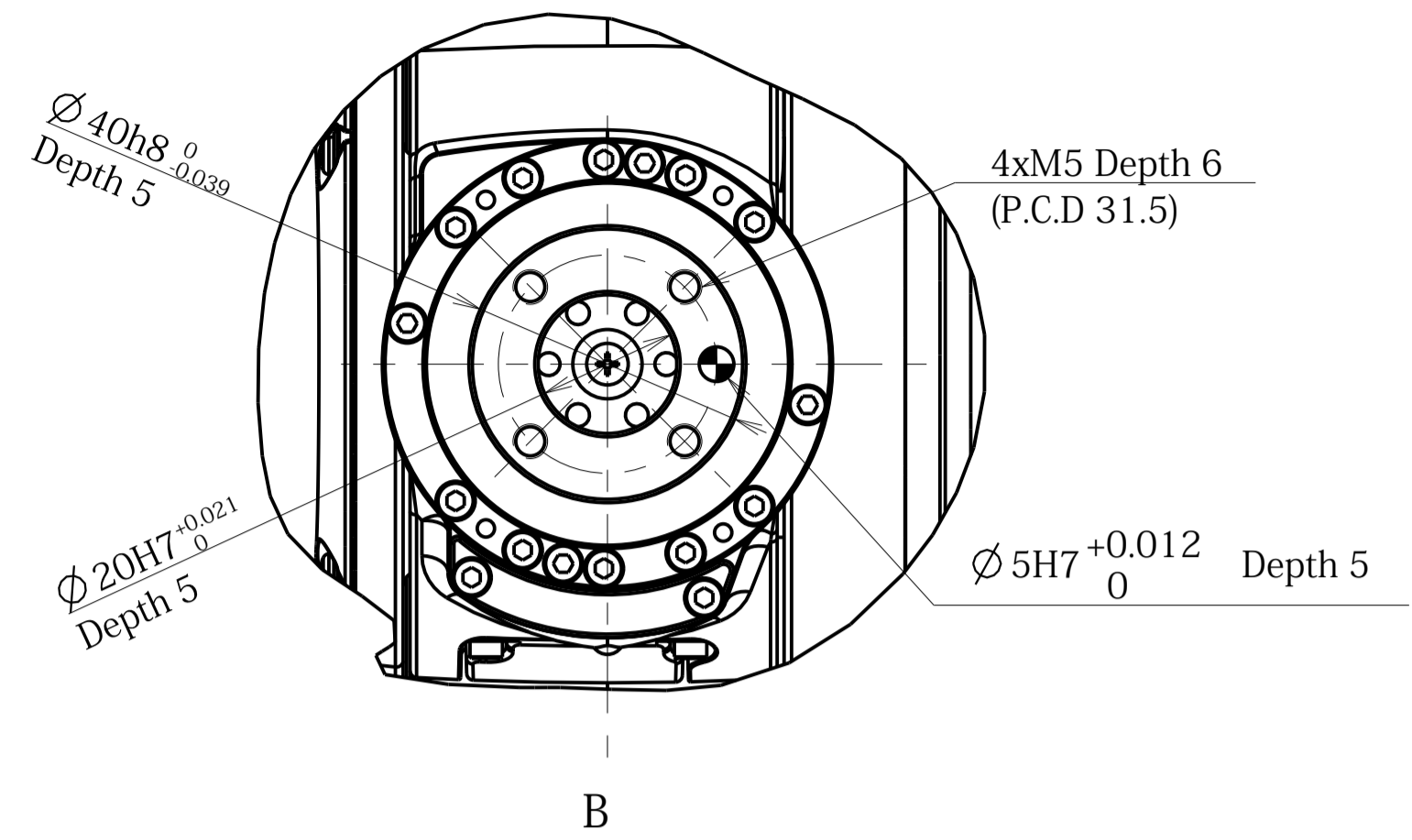
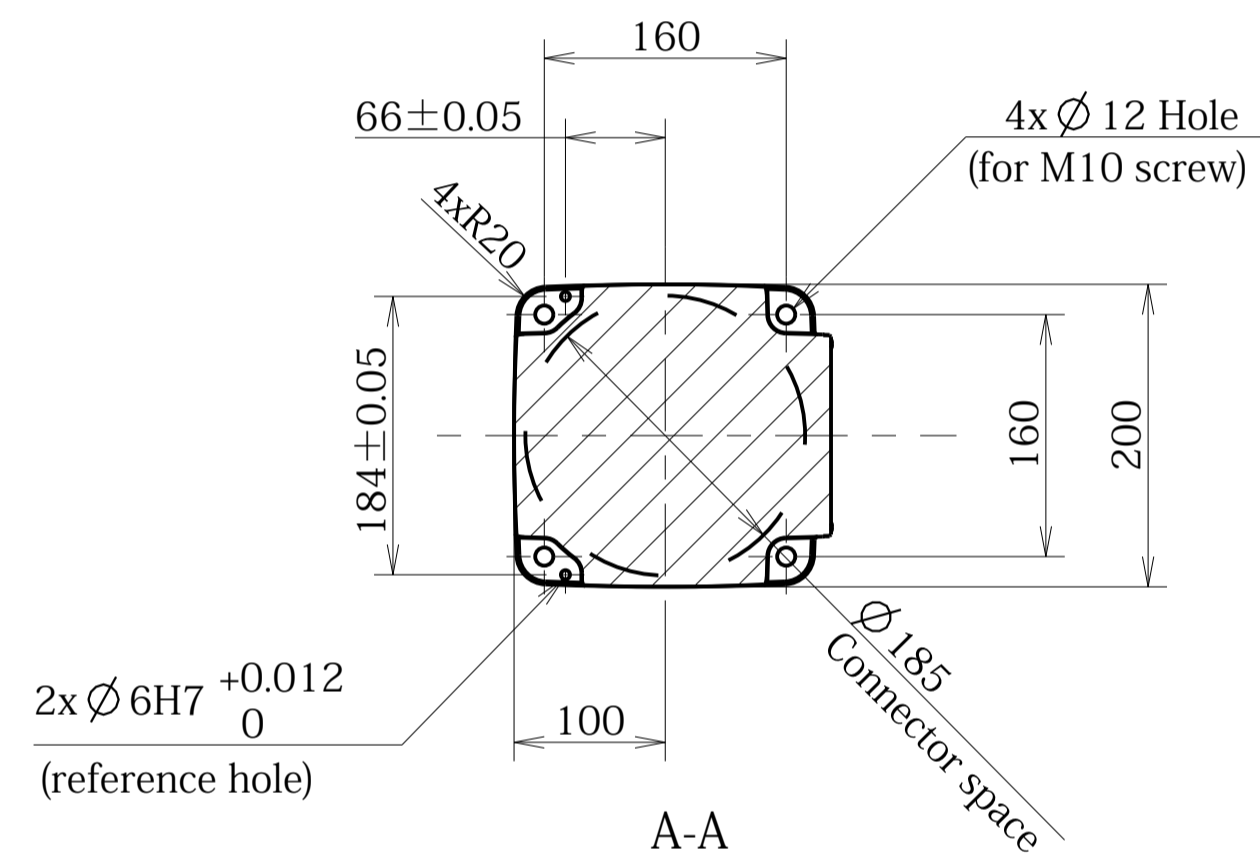


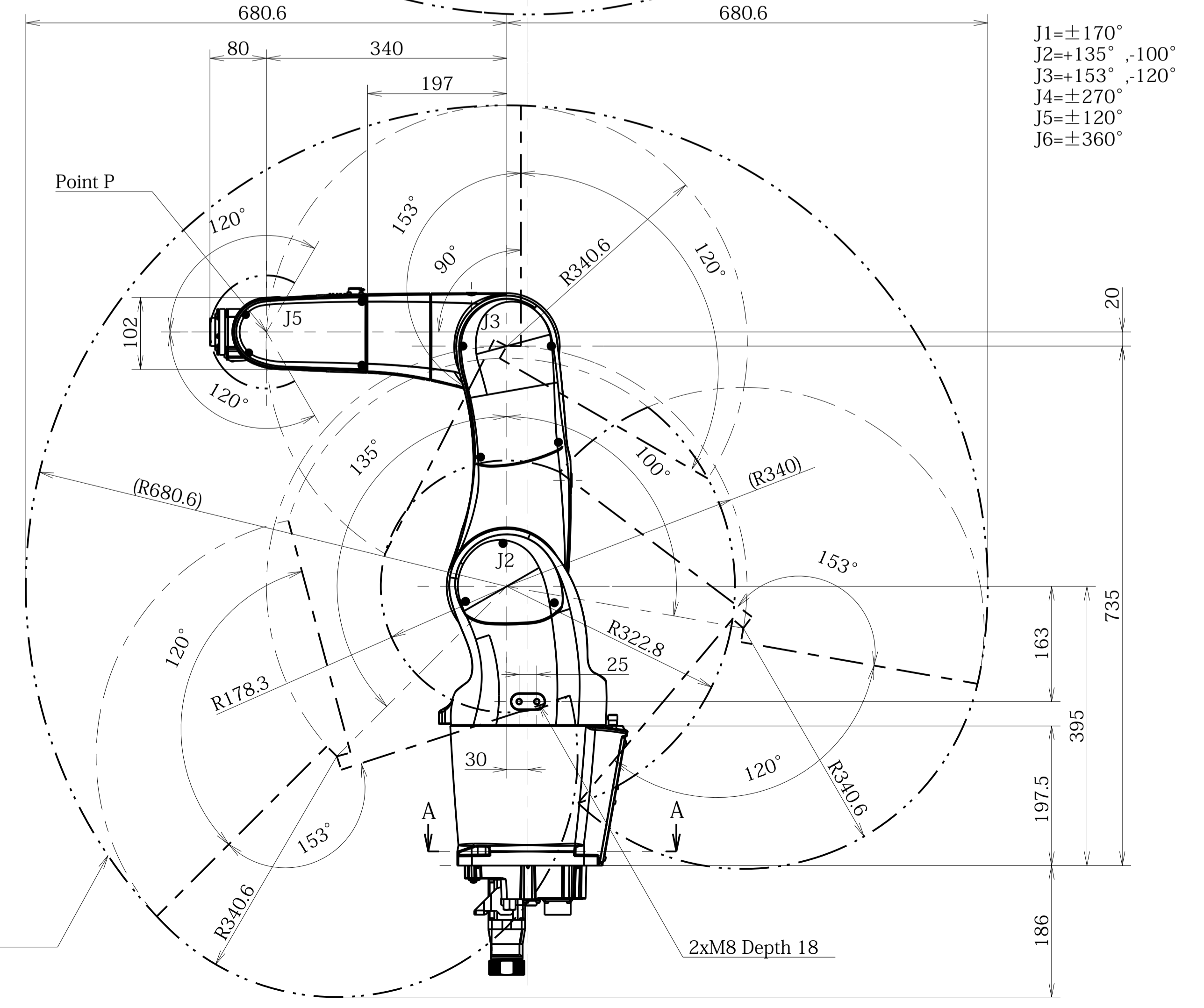
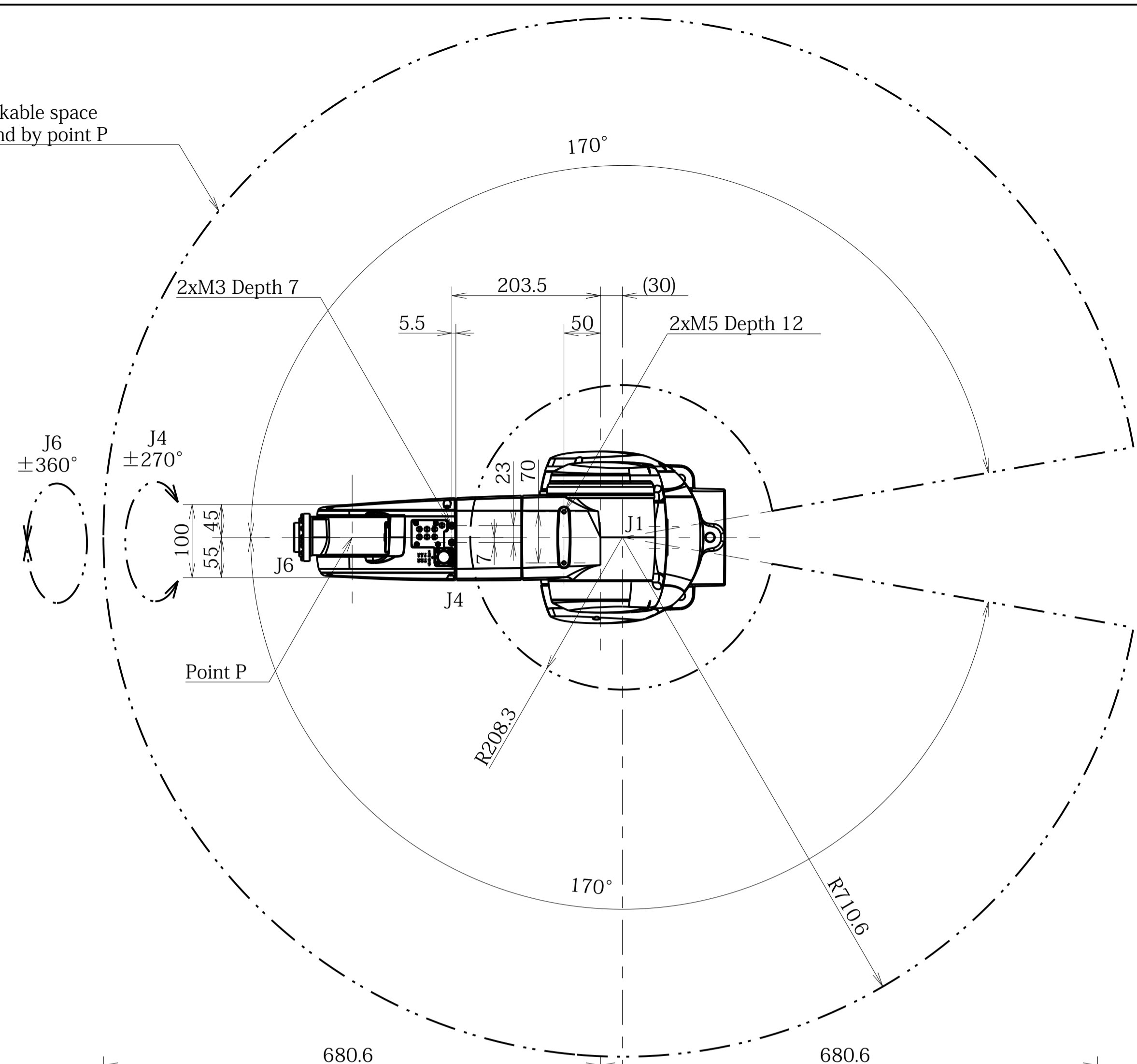
Detailed drawing of end-effector mounting face



Detailed drawing of base mounting face



Workable space defined by point P



Workable space defined by point P

B

