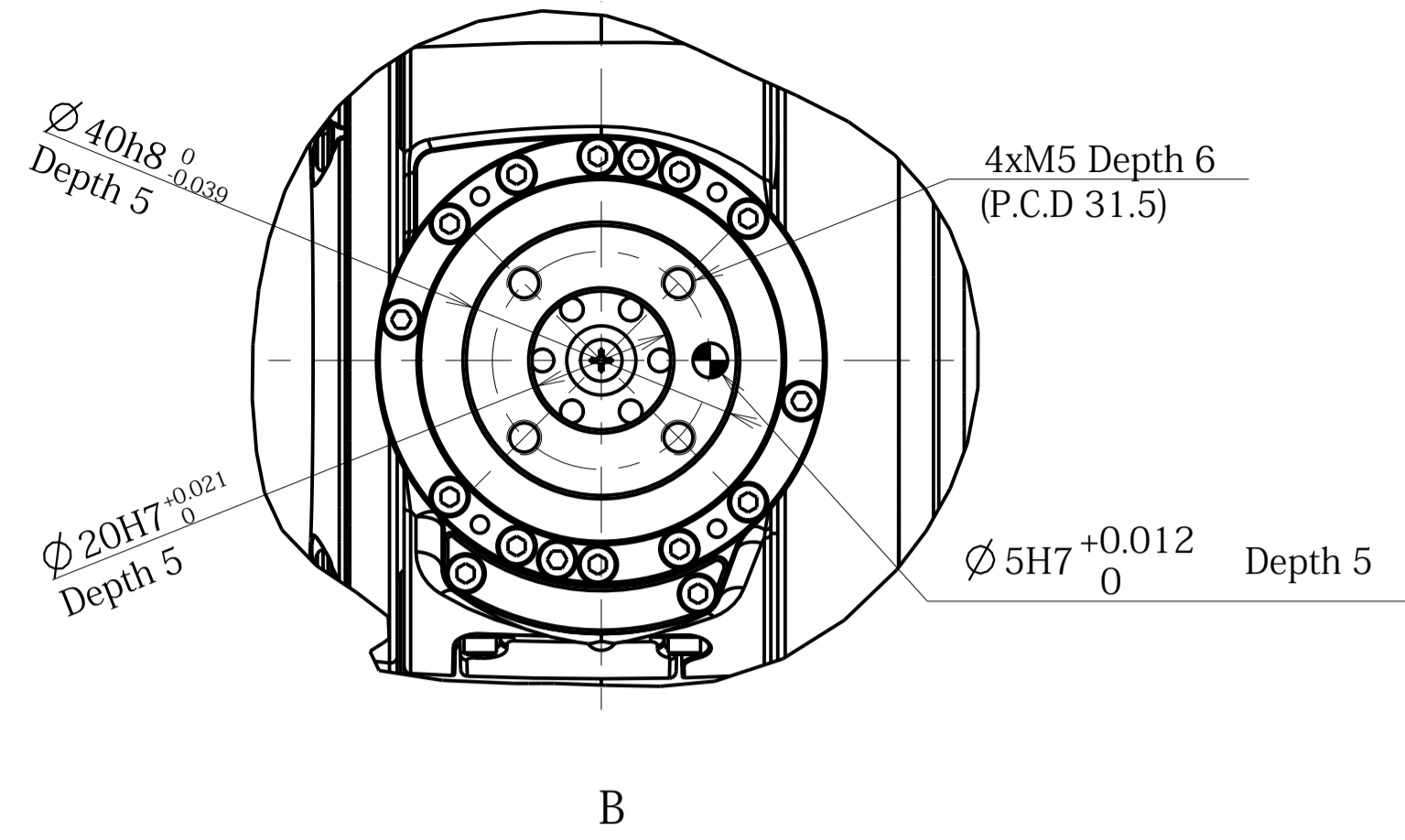
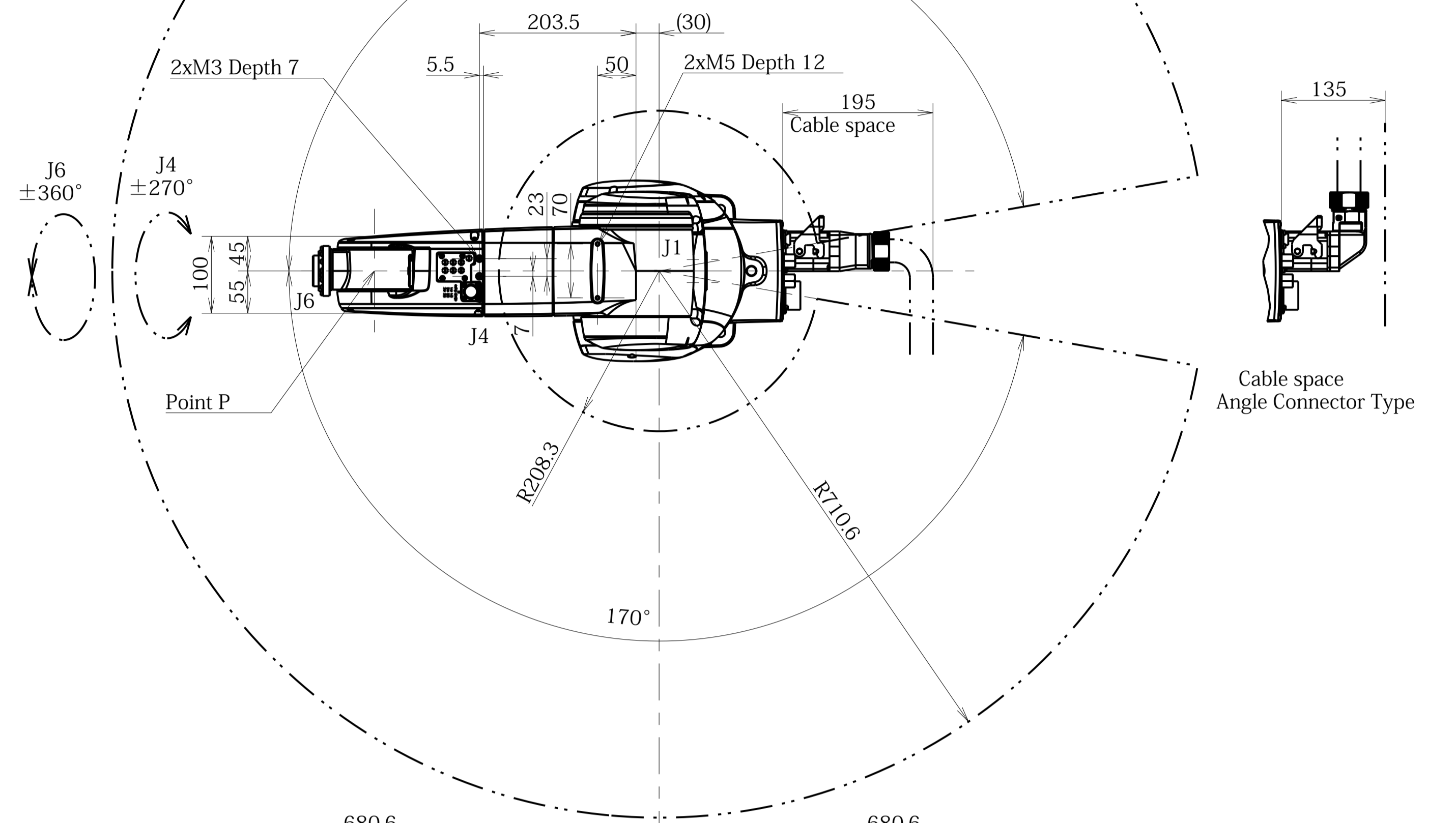


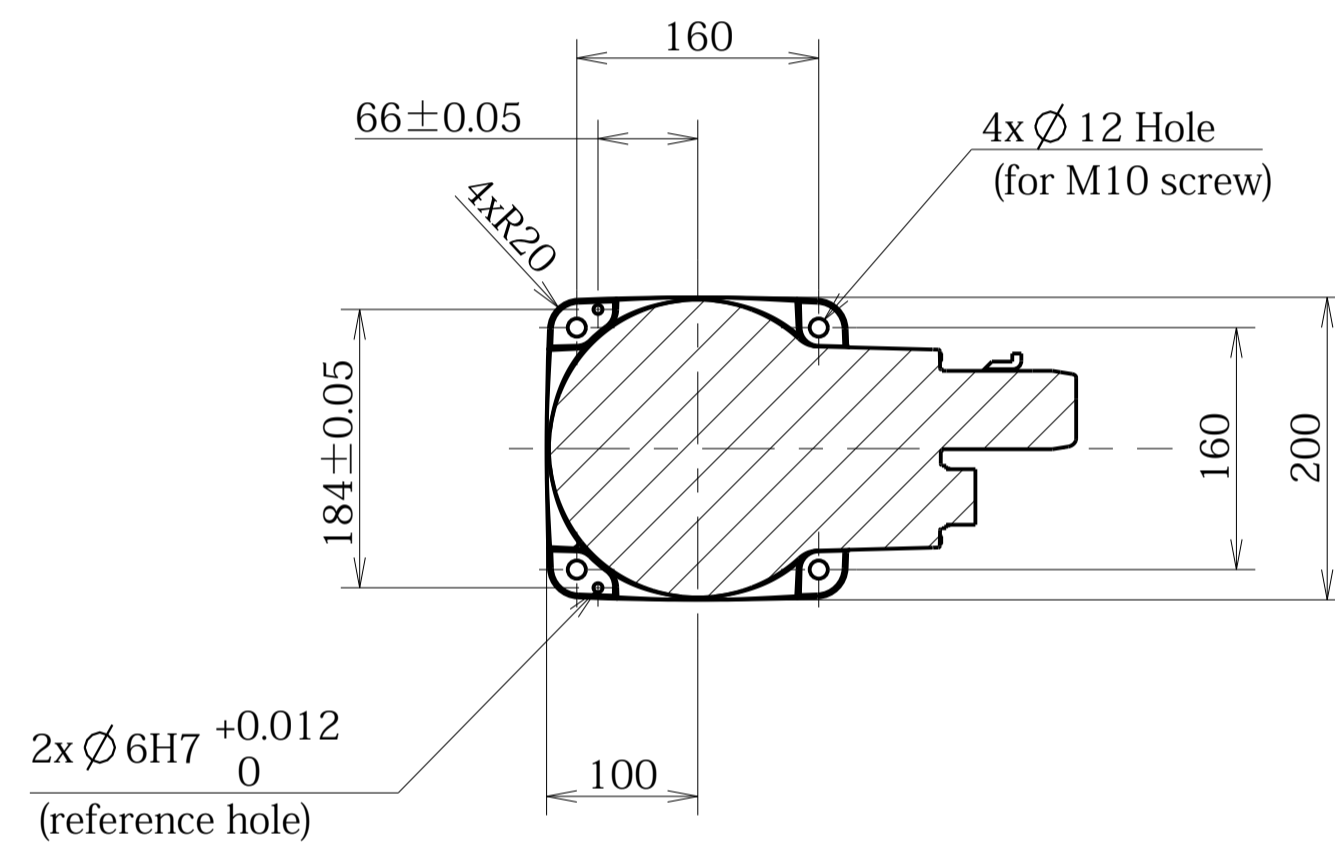
Detailed drawing of end-effector mounting face



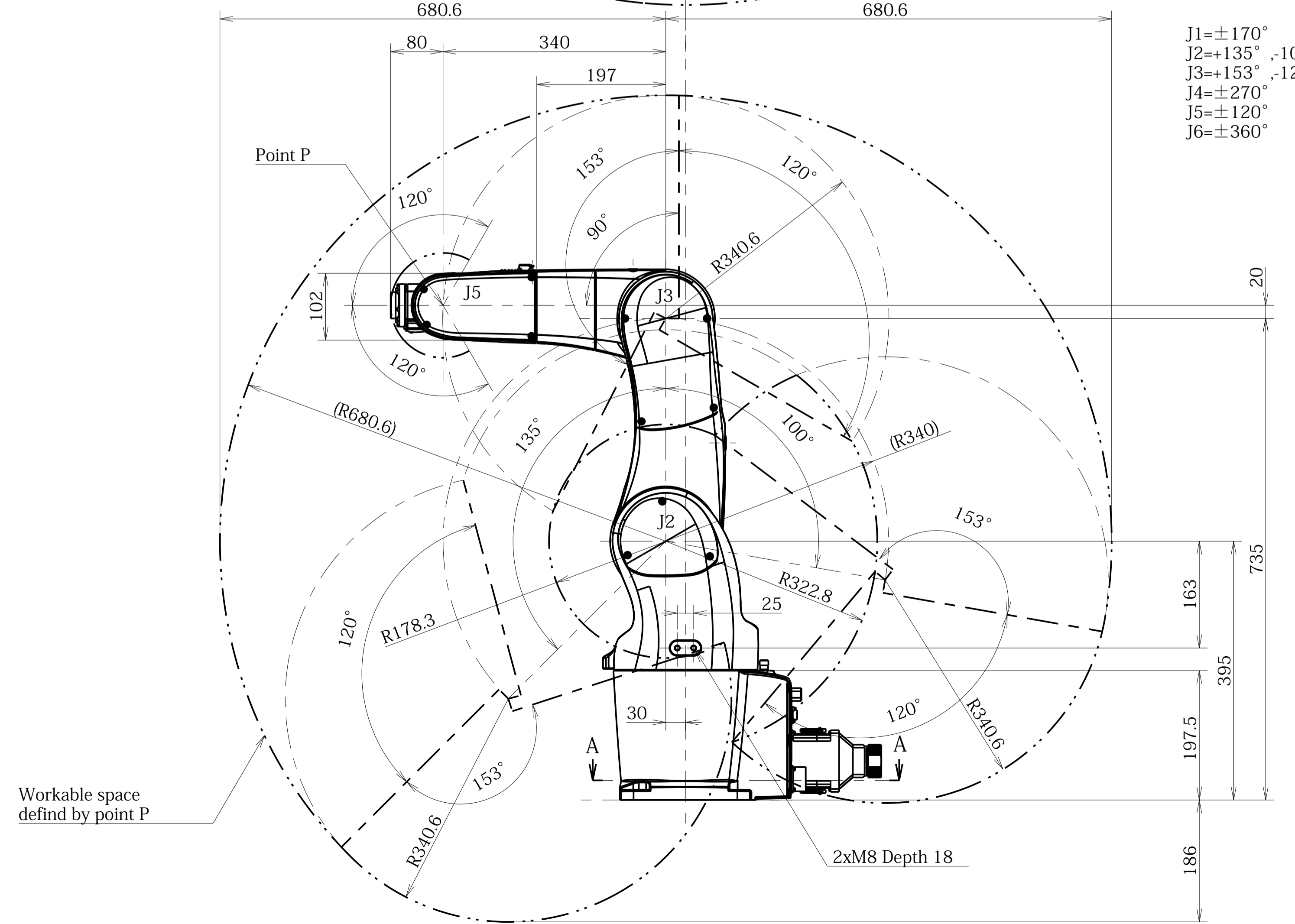
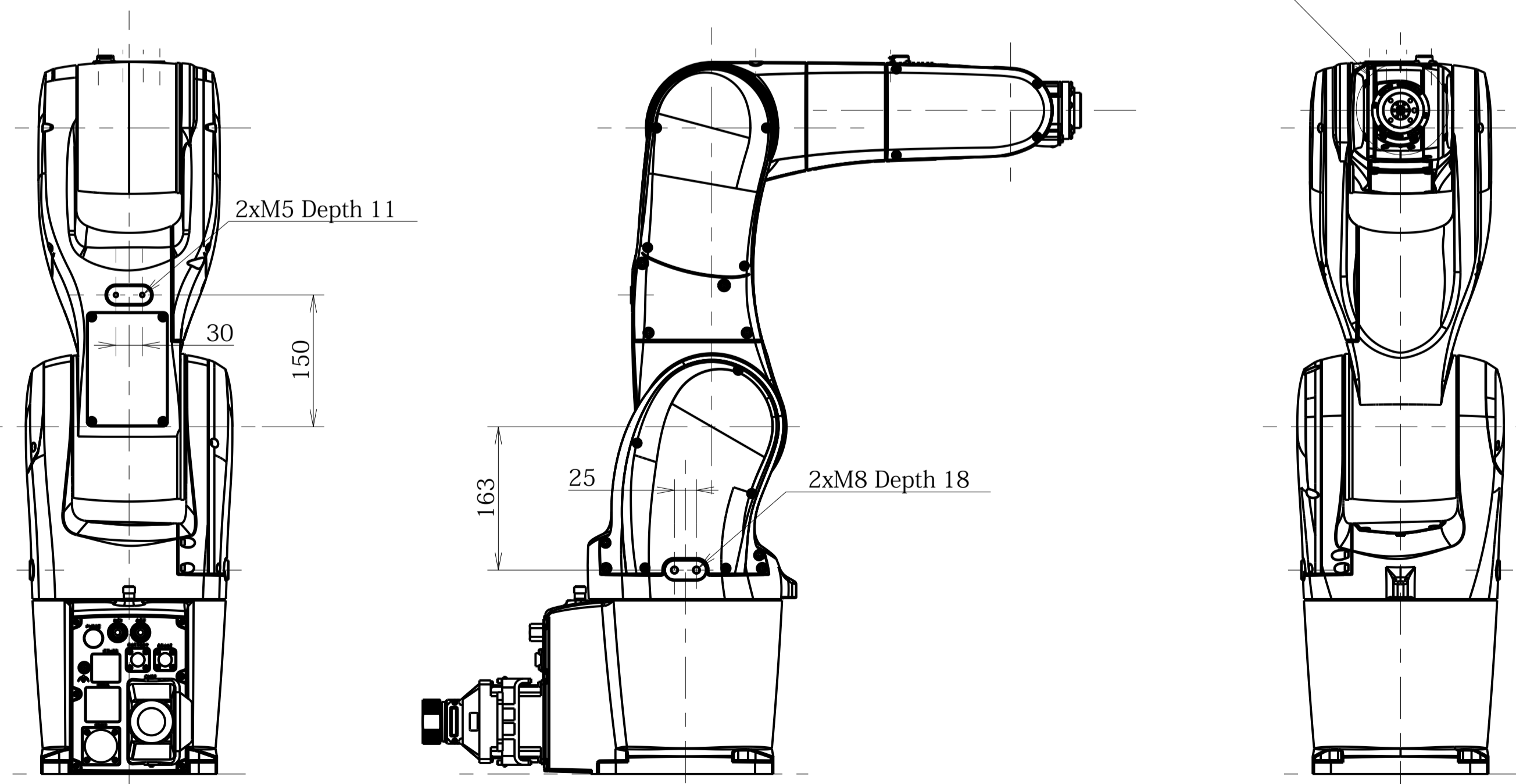
Workable space
definid by point P



Detailed drawing of base mounting face



- J1=±170°
- J2=+135° -100°
- J3=+153° -120°
- J4=±270°
- J5=±120°
- J6=±360°



Workable space
definid by point P