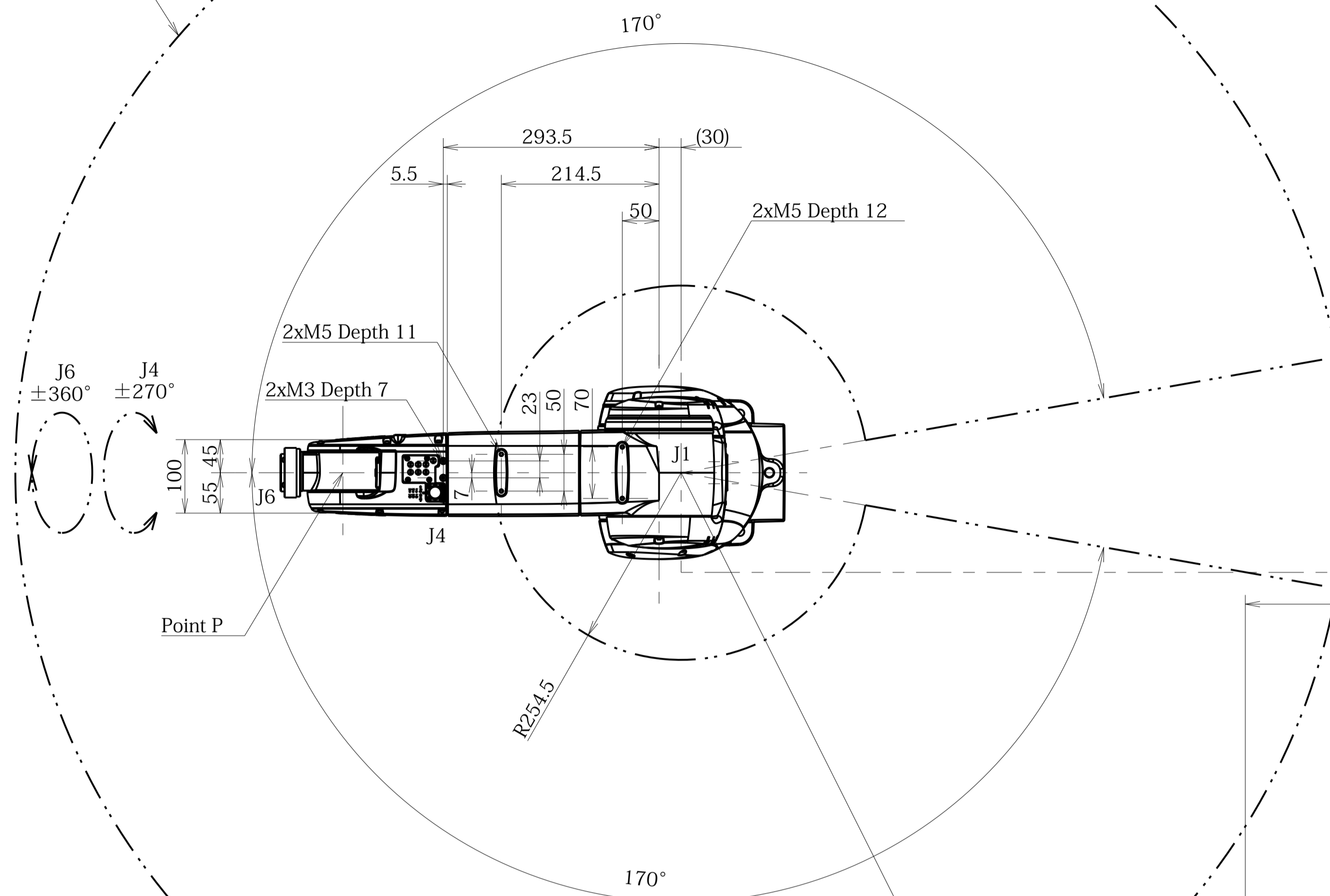
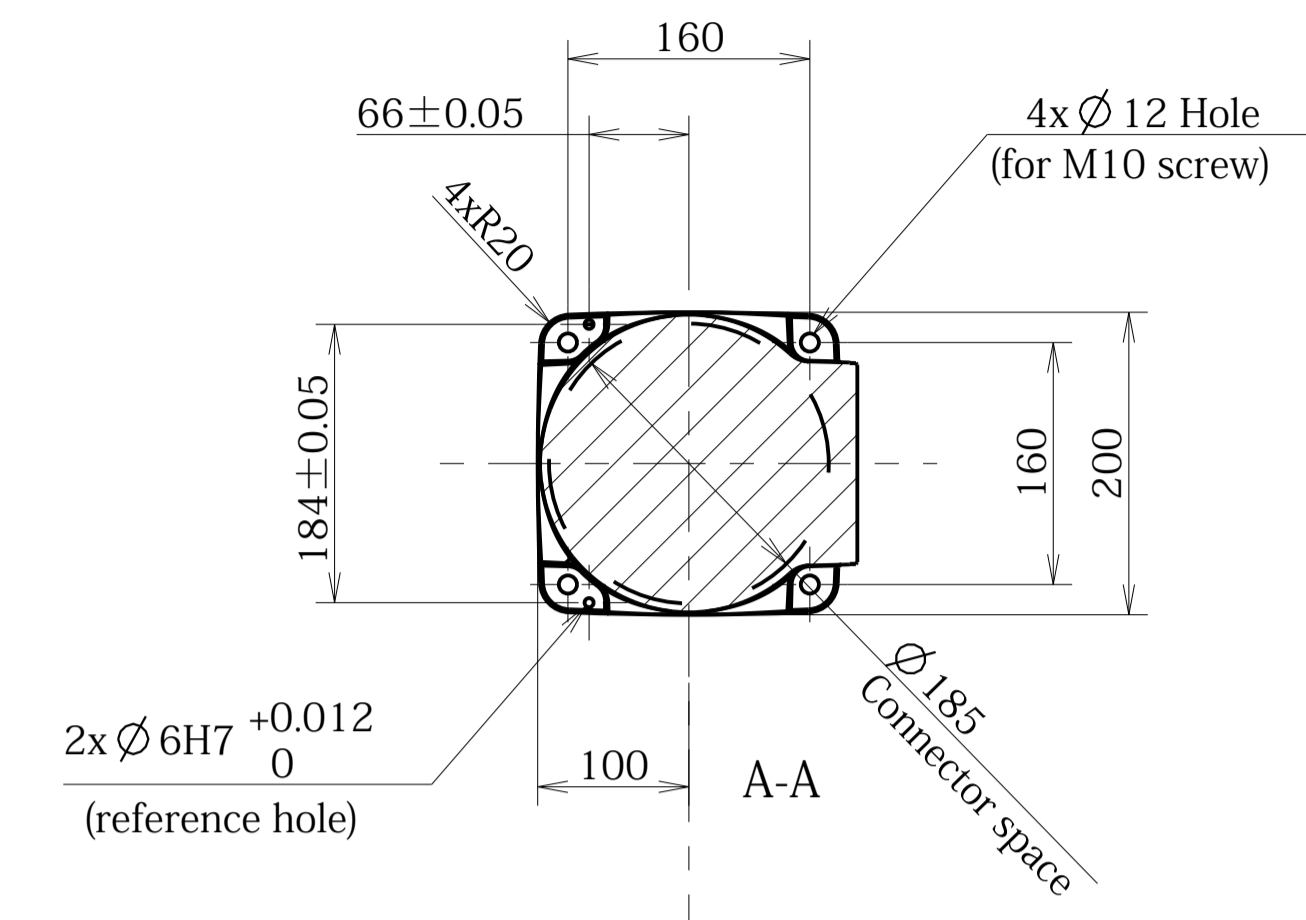


VS-087 (Bottom Connector Panel, Standard Flange, Cleanroom (class5 cleanliness-ISO 14644-1)
 410590-3520
 VS-087 (Bottom Connector Panel, Standard Flange, Cleanroom (class3 cleanliness-ISO 14644-1)
 410590-3680

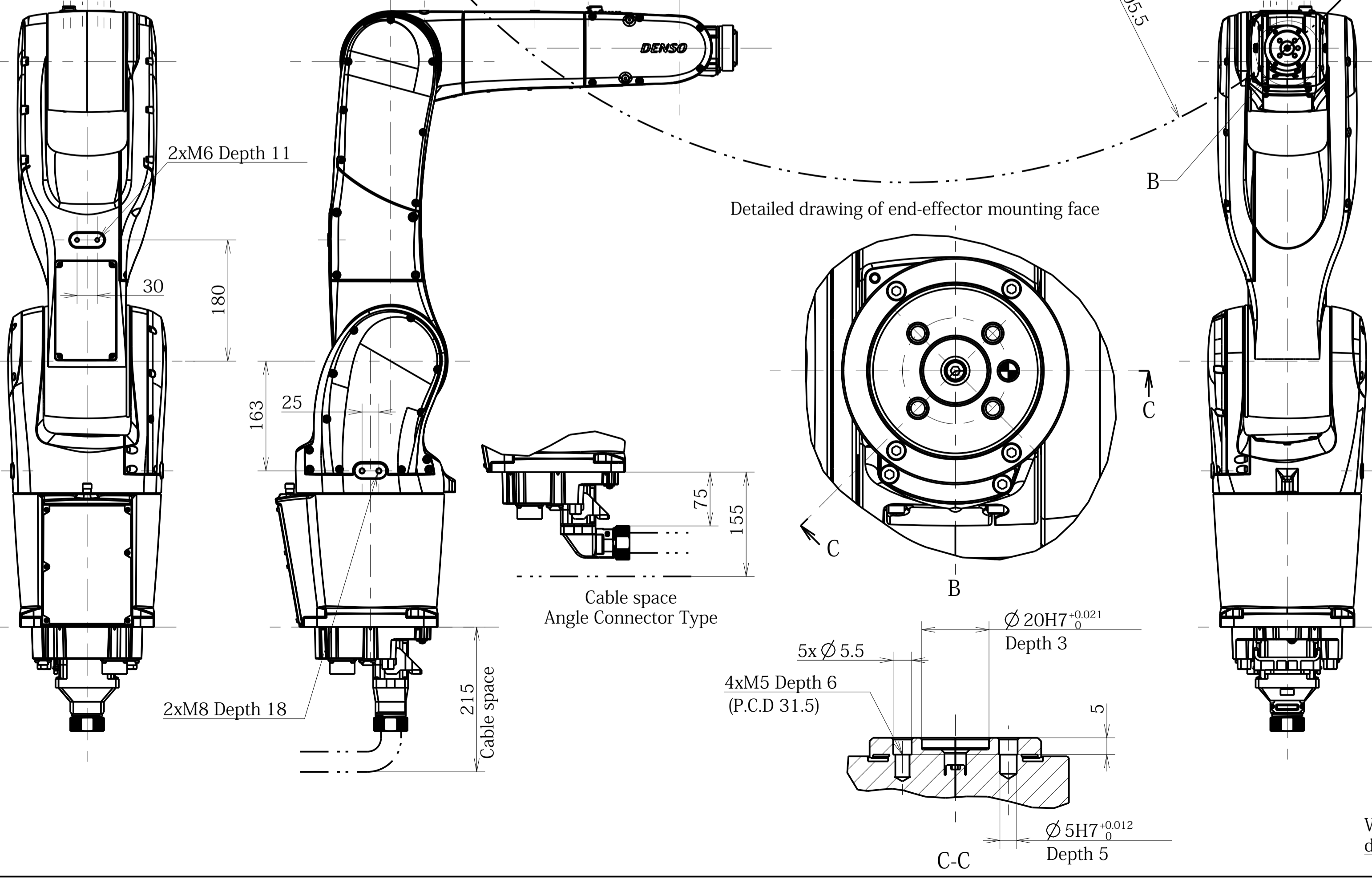
Workable space
 defined by point P



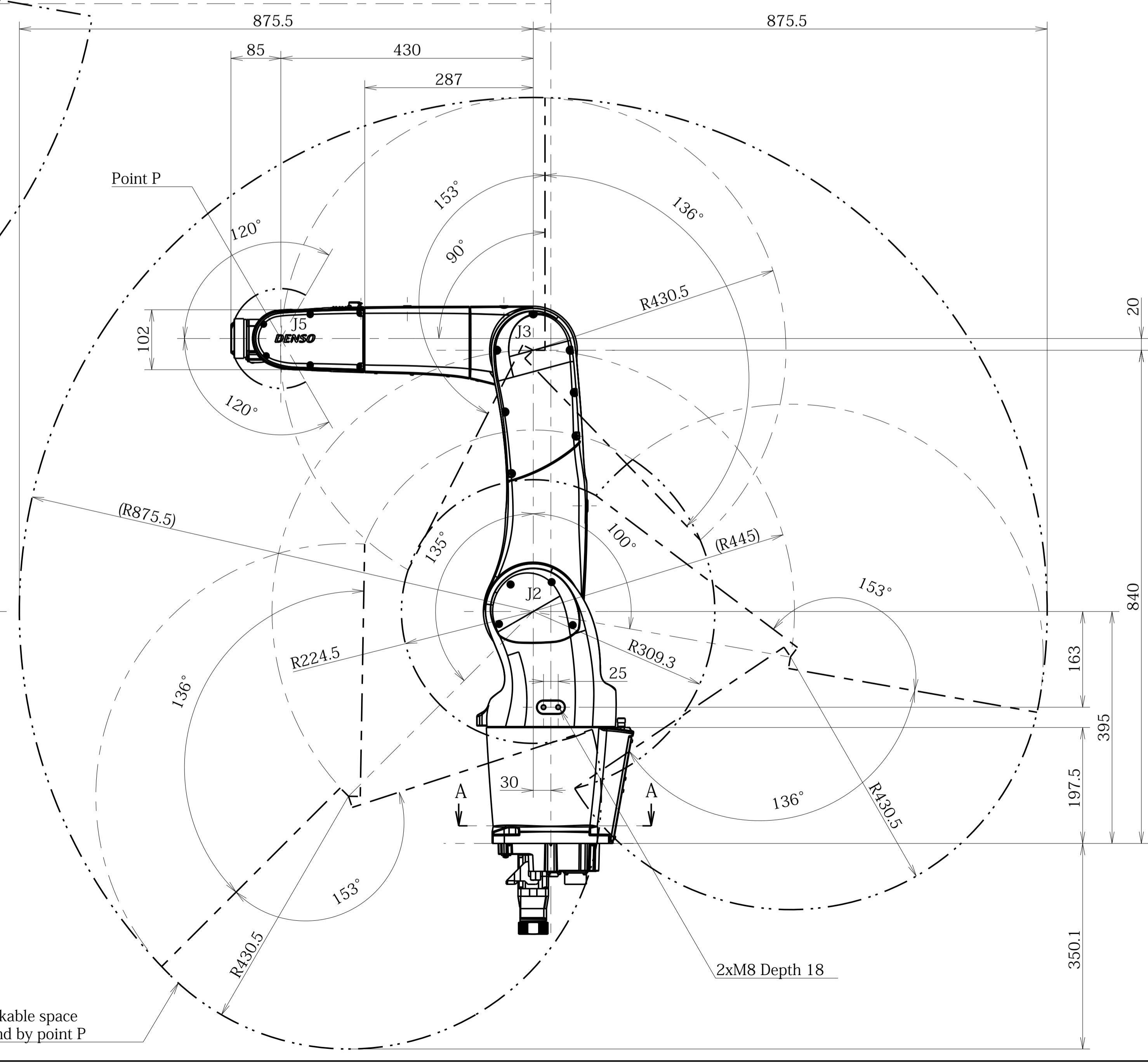
Detailed drawing of base mounting face



J1=±170°
 J2=+135° -100°
 J3=+153° -136°
 J4=±270°
 J5=±120°
 J6=±360°



Detailed drawing of end-effector mounting face



Workable space
 defined by point P