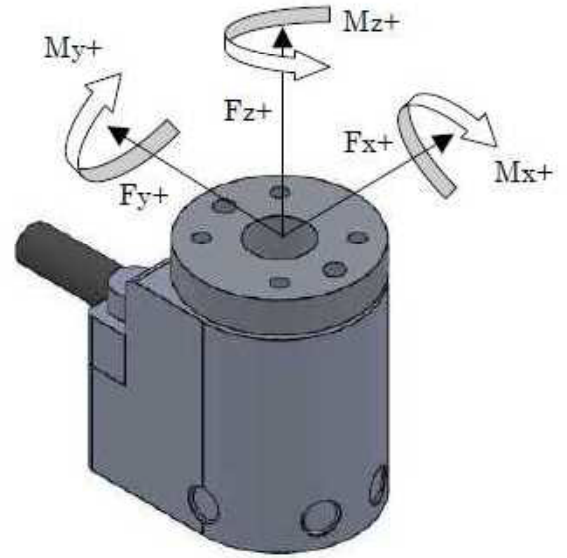
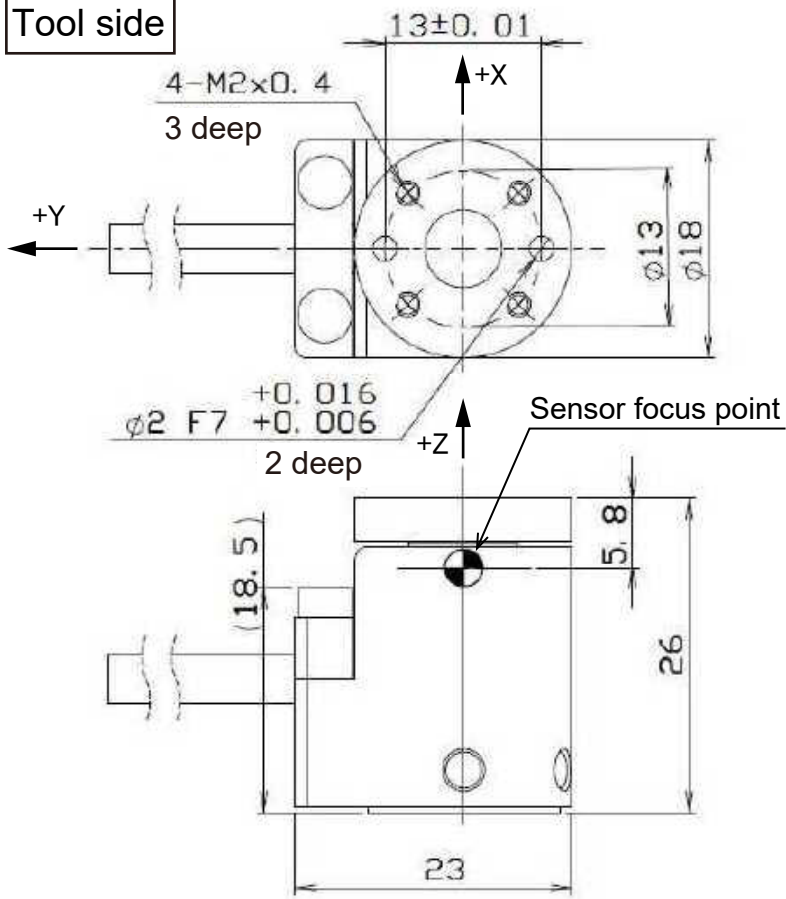
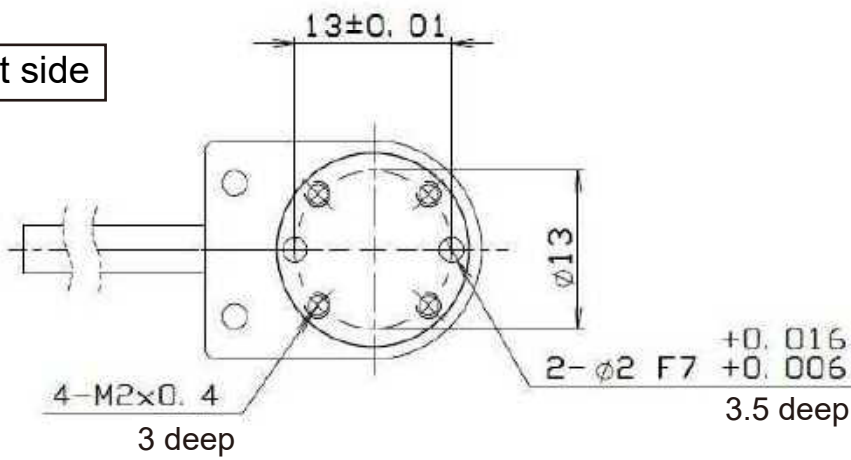


Outline drawing of the force sensor (Low load model)

Tool side



Mount side



Outline drawing of the converter

