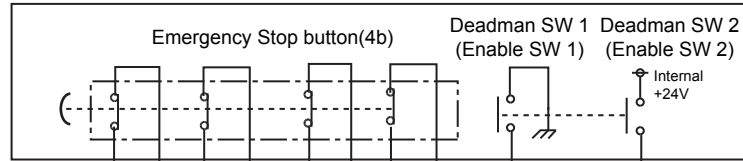
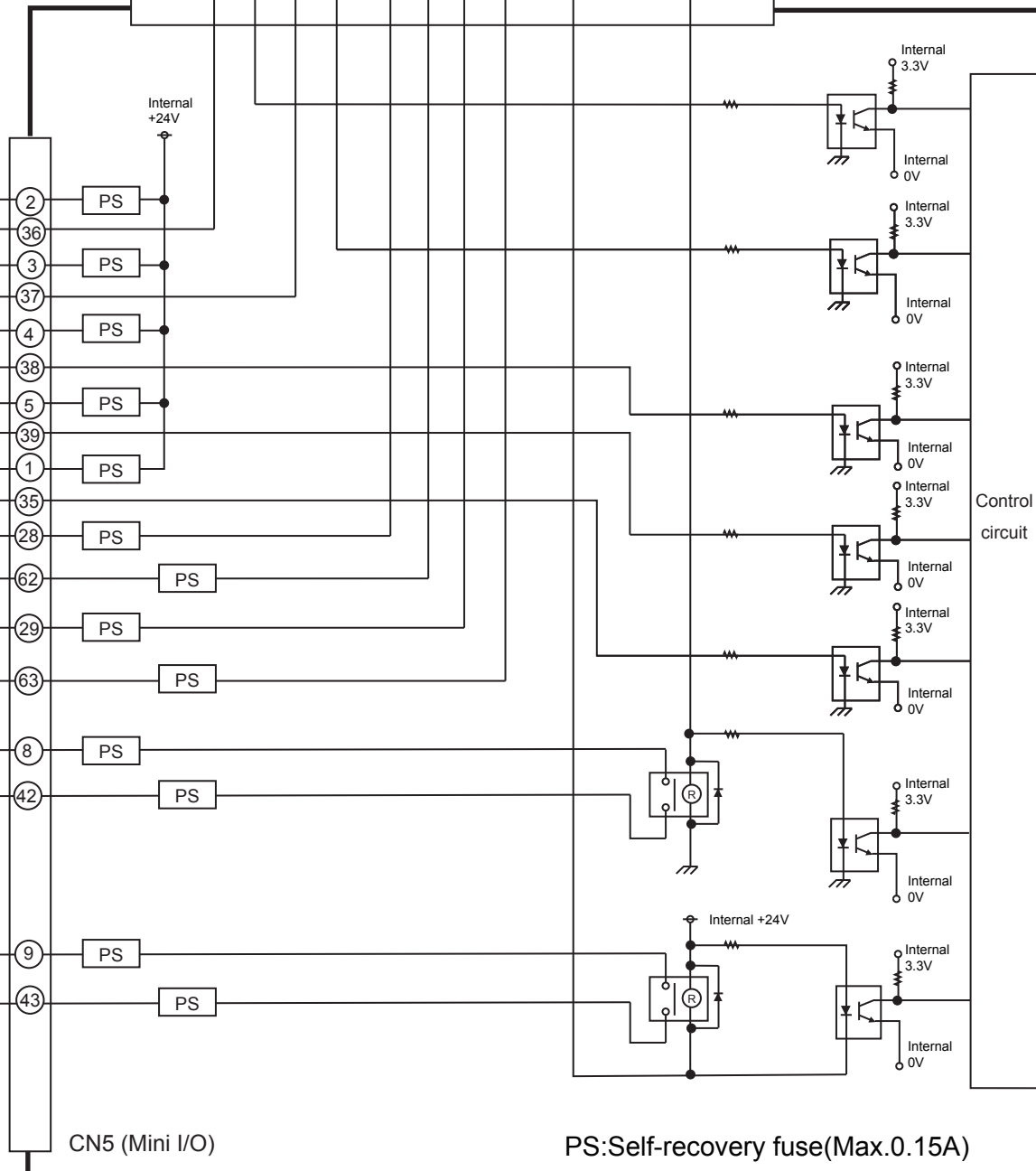
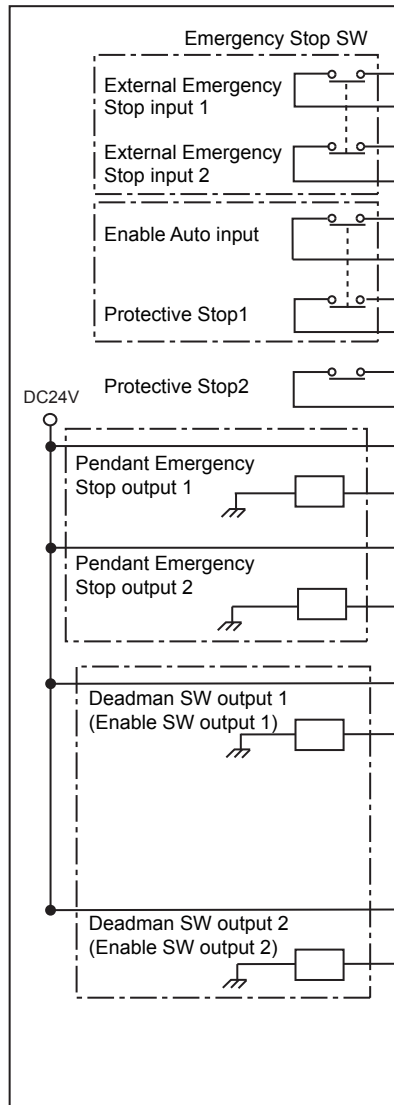


TP/MP

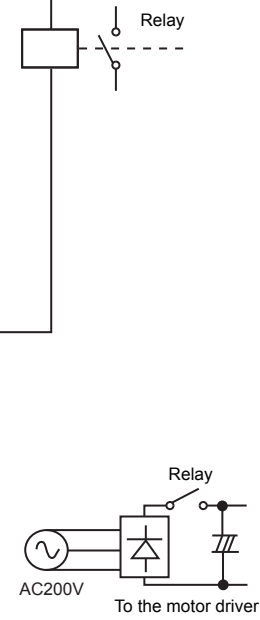


Robot controller

Prepared by customer



Control circuit



PS:Self-recovery fuse(Max.0.15A)