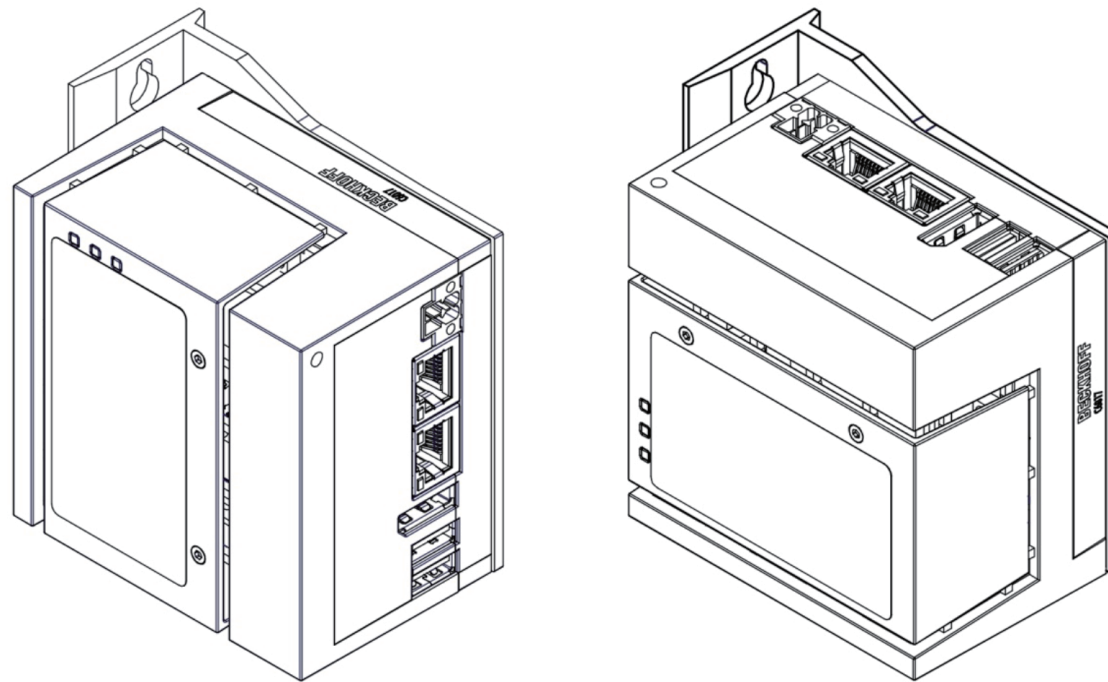
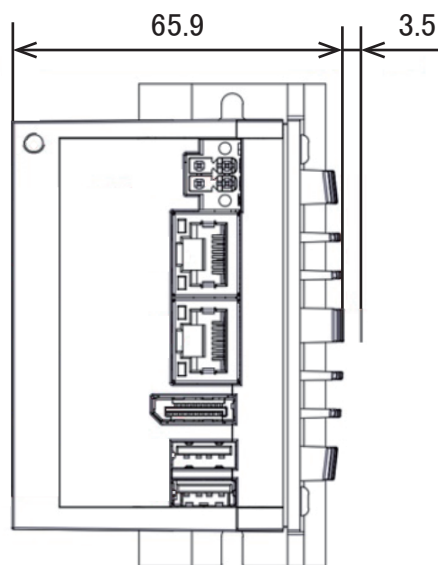


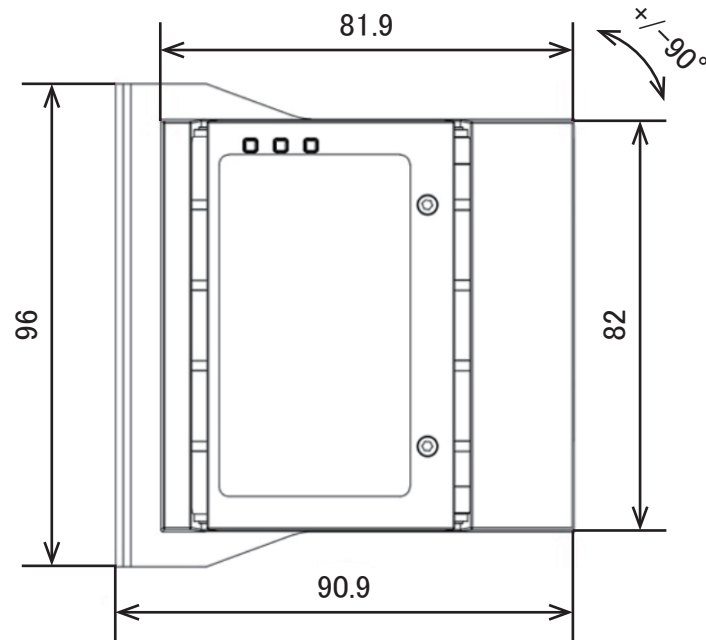
Unit : mm



Front view



Side view



Back view

