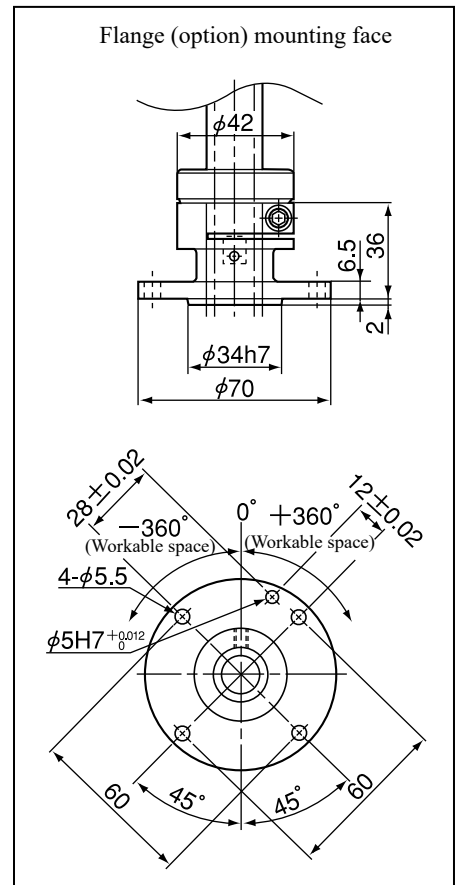
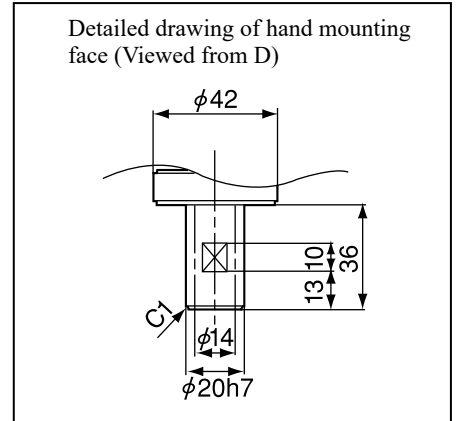
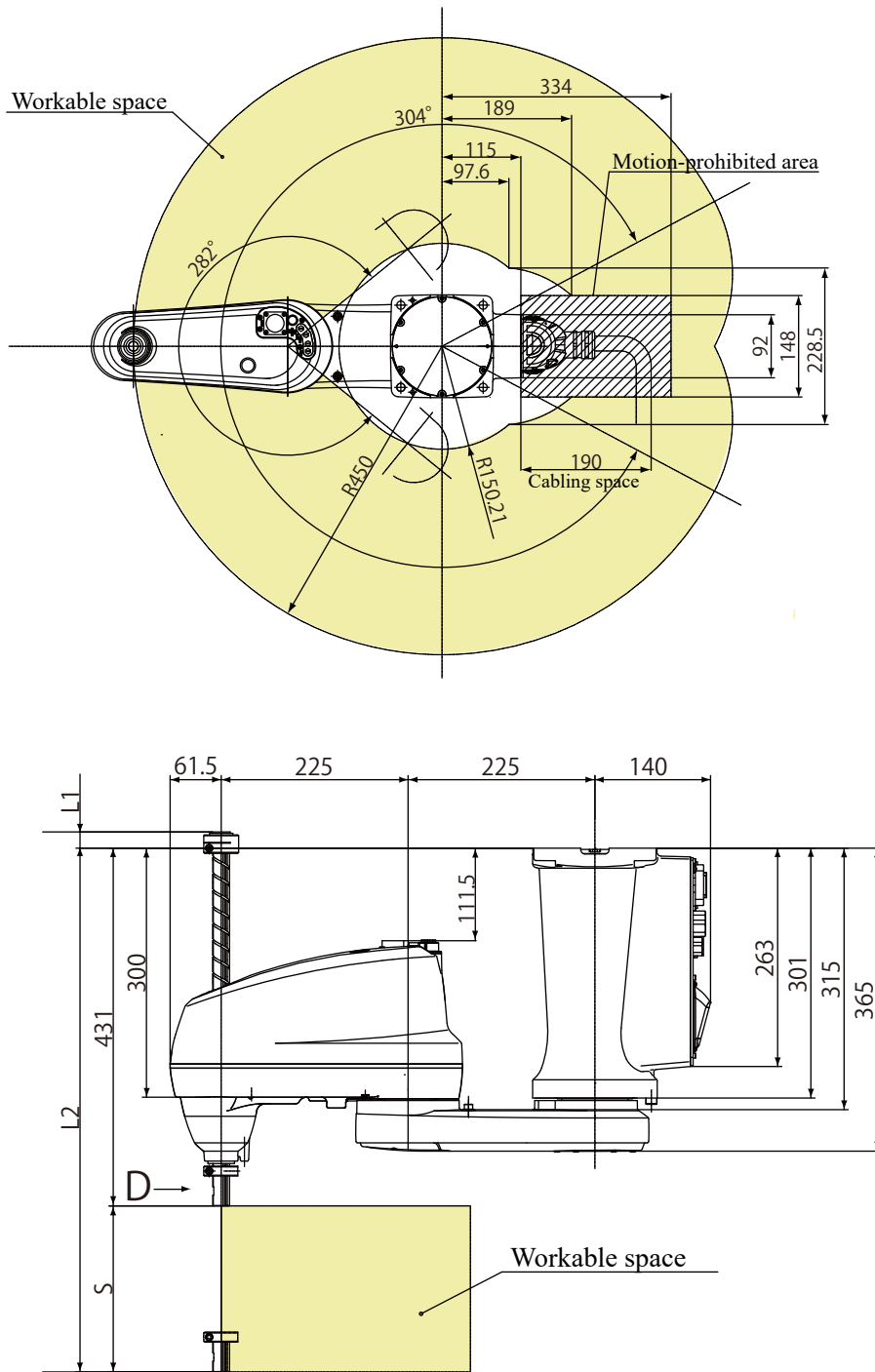
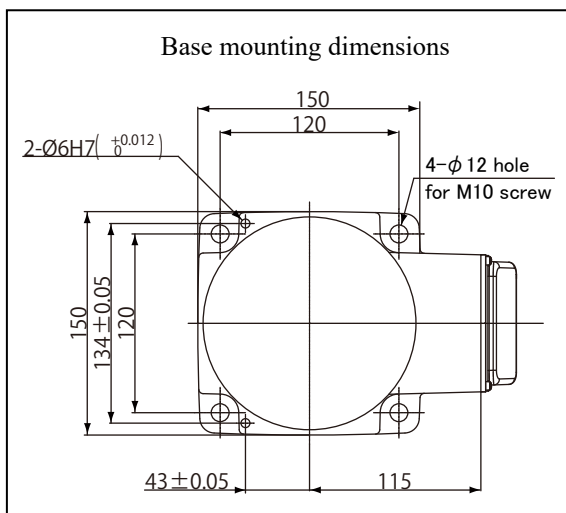


<HS045A1-S*>



Unit: mm



NOTE: Dimensions that differ according to Z-axis stroke (S)

Model	S	L1	L2
HS045A1-S10-NNN	100	-80	531
HS045A1-S15-NNN	150	-30	581
HS045A1-S20-NNN	200	20	631
HS045A1-S32-NNN	320	140	751

NOTE: In the case of the overhead-mount type, Z axis (200 mm or 320 mm) in the uppermost position may reach higher than the base mounting face. Be careful with the interference with surrounding facilities.