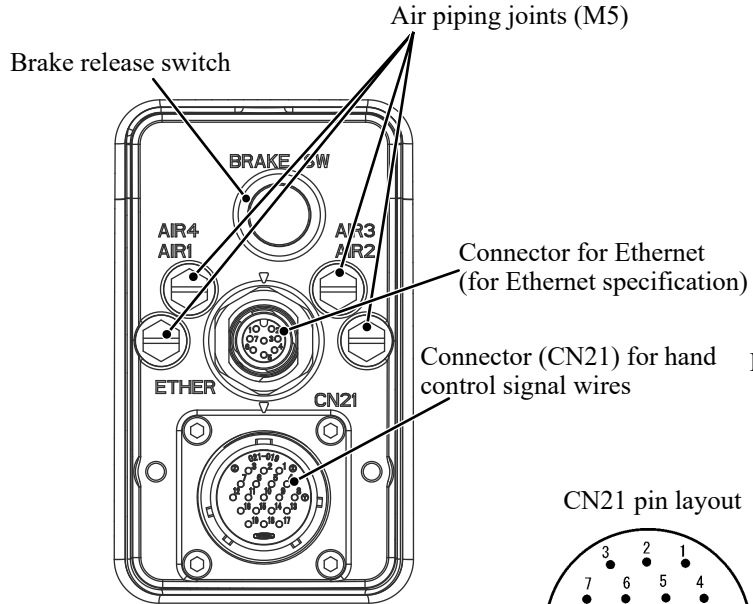
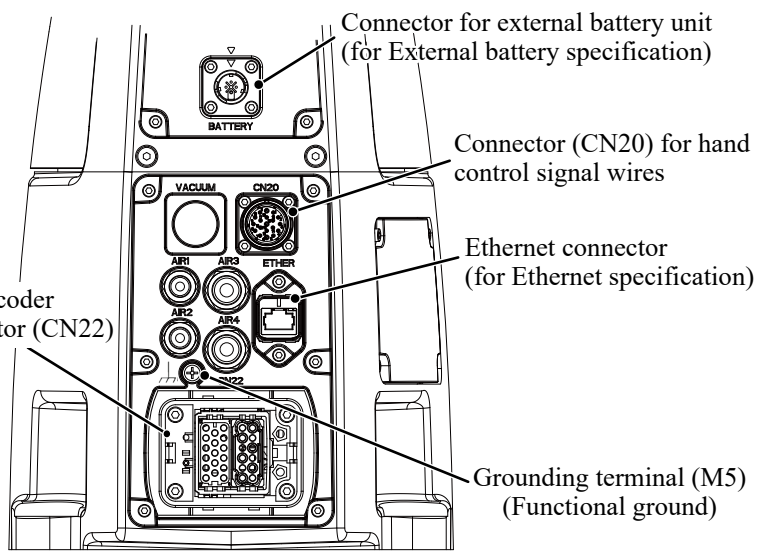
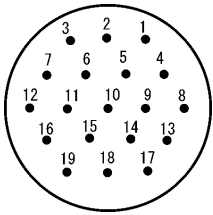


View in direction of arrow (A)

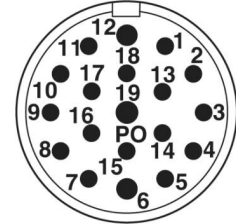
View in direction of arrow (B)



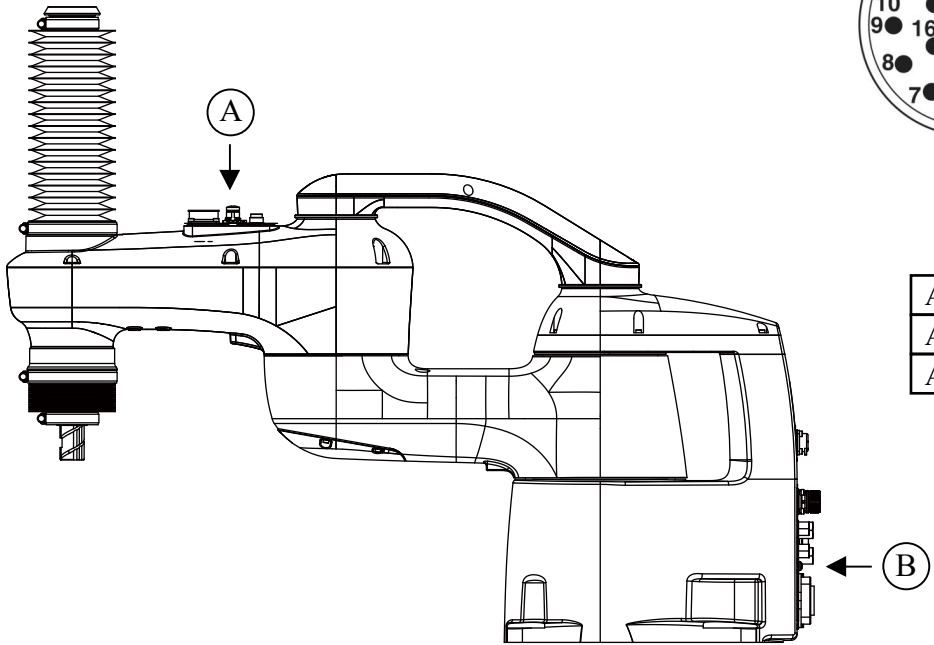
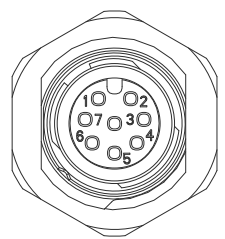
CN21 pin layout



CN20 pin layout



Pin assignment on Ethernet connector



AIR No.	Air piping joint	Maximum allowable pressure
AIR 1,2	φ4, PT1/8	0.59 MPa
AIR 3,4	φ6, PT1/4	