
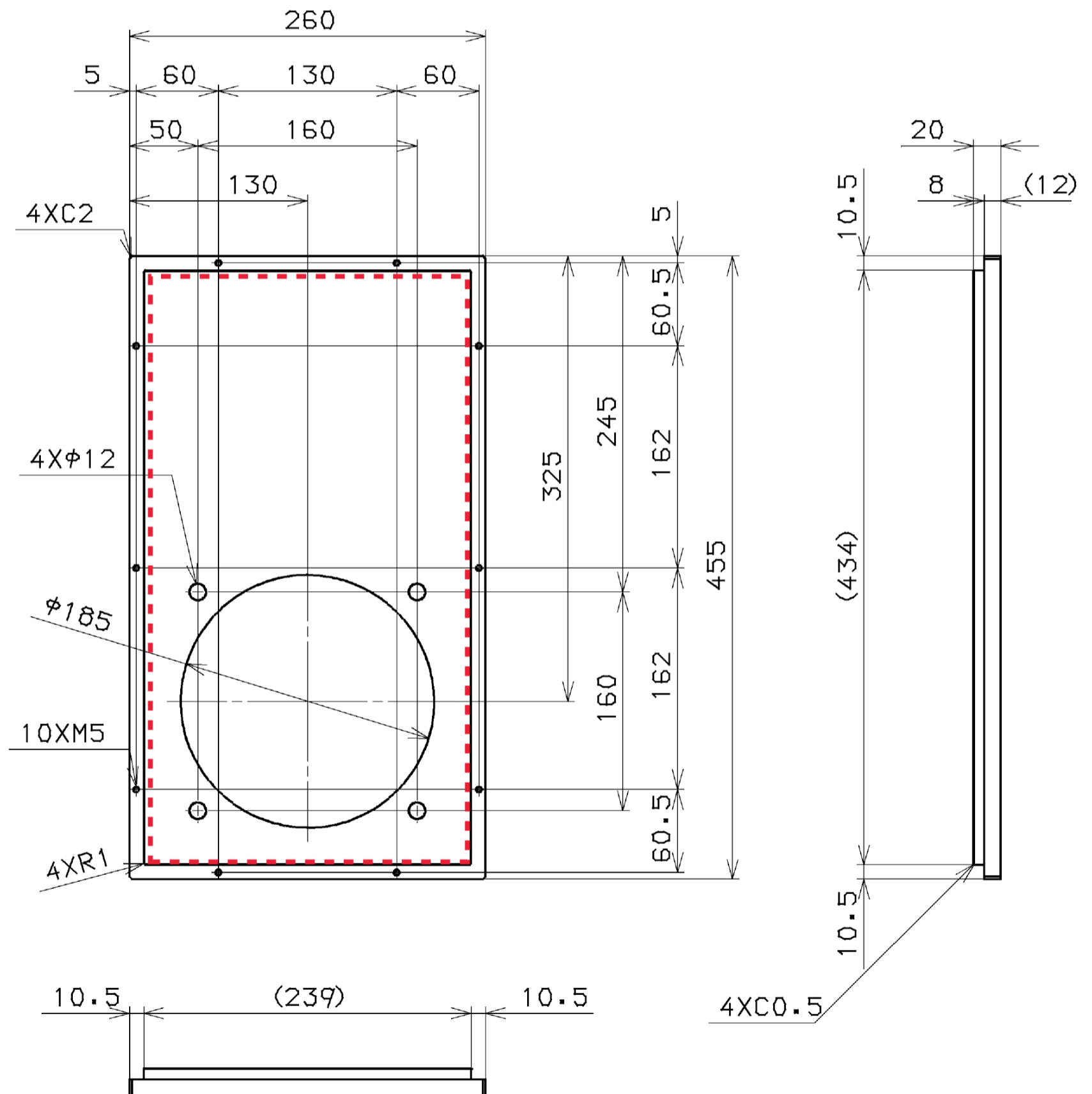


Set the bolt through holes for installing on the mount within the framed area  according to your mount.



Remarks

1. R 0.4 MAX for uninstructed corners