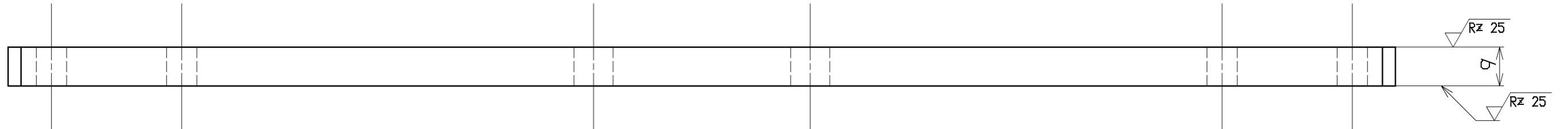
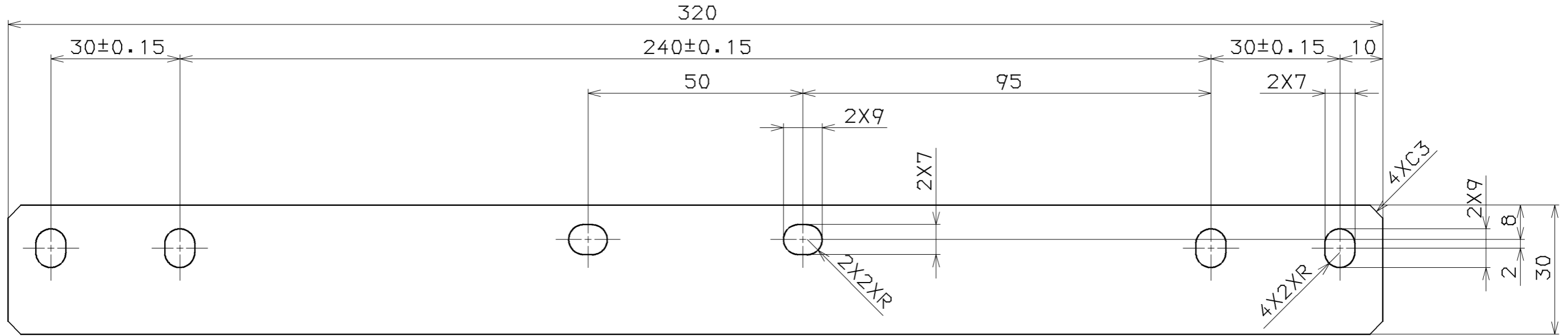


$\sqrt{Rz\ 100}$ ($\sqrt{Rz\ 25}$)



MATERIAL : SS400