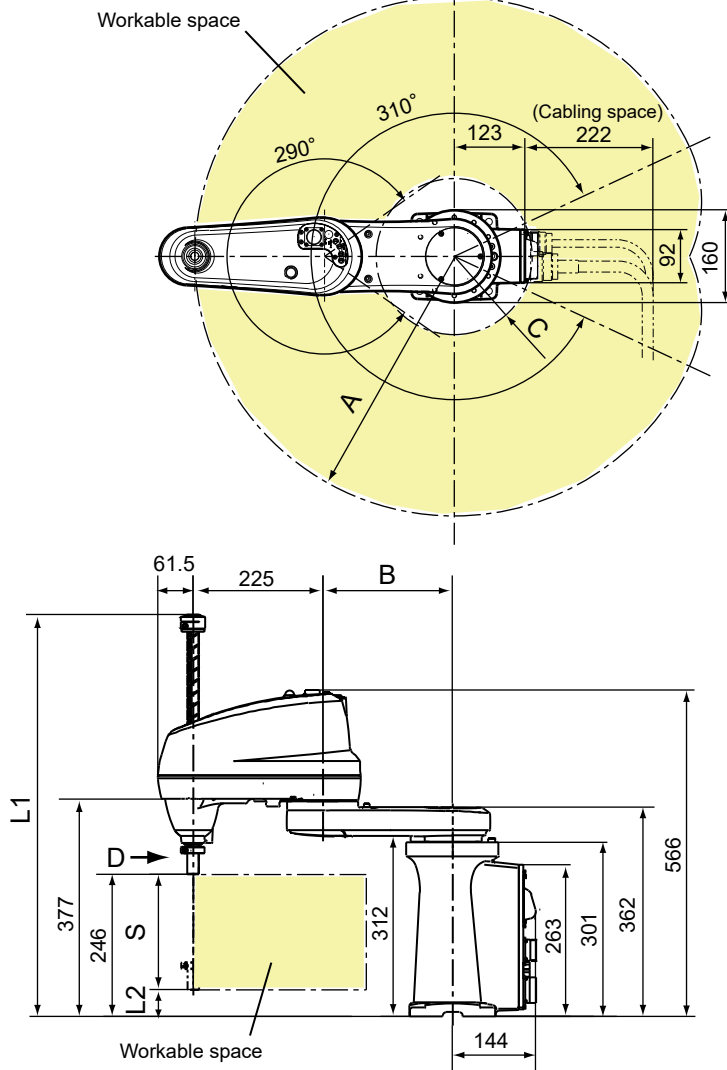
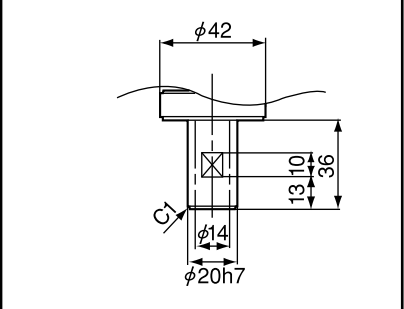


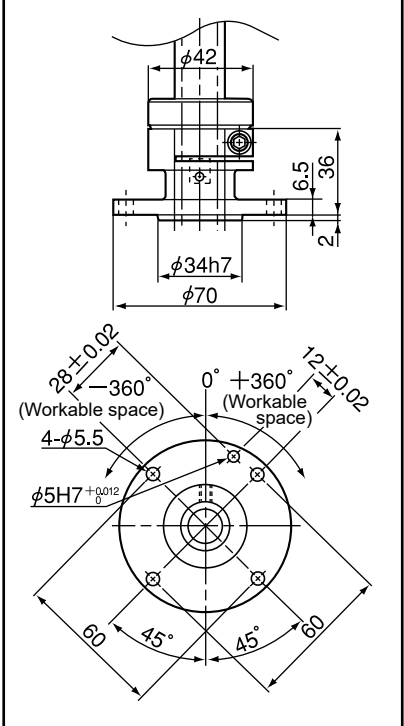
<HS-45***-UL>



Detailed drawing of hand mounting face (Viewed from D)



Flange (option) mounting face



Model	A	B	C
HS-4535*-UL	350	125	143
HS-4545*-UL	450	225	136
HS-4555*-UL	550	325	191

Unit: mm

Dimensions that differ according to Z-axis stroke (S)

Z-axis stroke: S (mm)	L1	L2
*=2 : 200	697	46
*=3 : 320	817	-74 (Note)

(Note)

If Z-axis stroke is 320 mm, the Z axis in the lowermost position may reach below the base mounting face.

Base mounting dimensions

