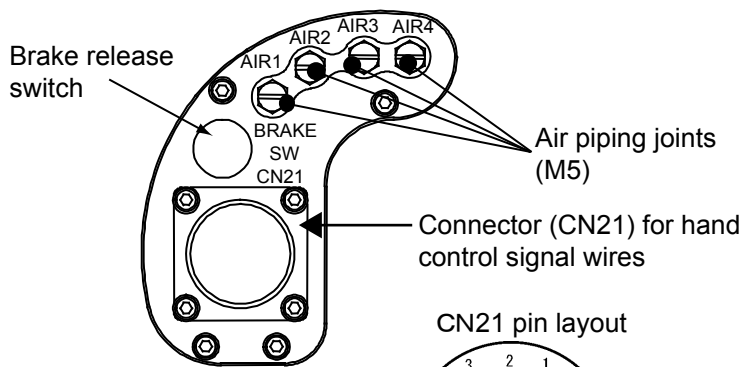
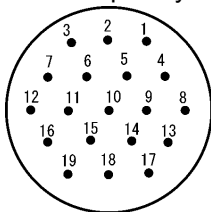


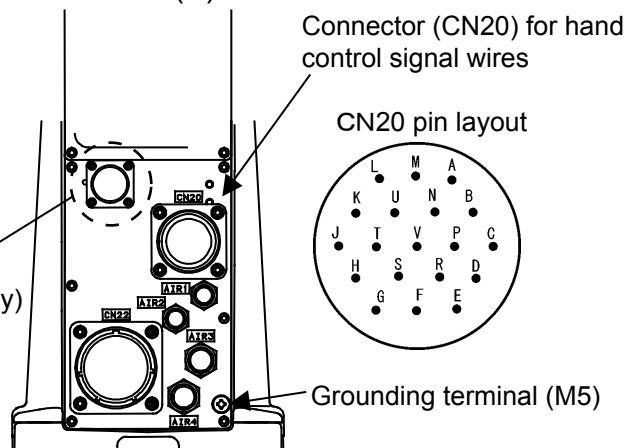
View in direction  
of arrow (A)



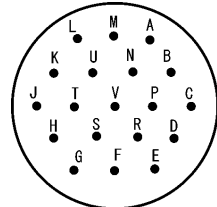
CN21 pin layout



View in direction  
of arrow (B)



CN20 pin layout



Air vent(\*1)  
(provided in the  
cleanroom type only)  
Outside dia :  $\phi 16$   
Inside dia :  $\phi 12$

