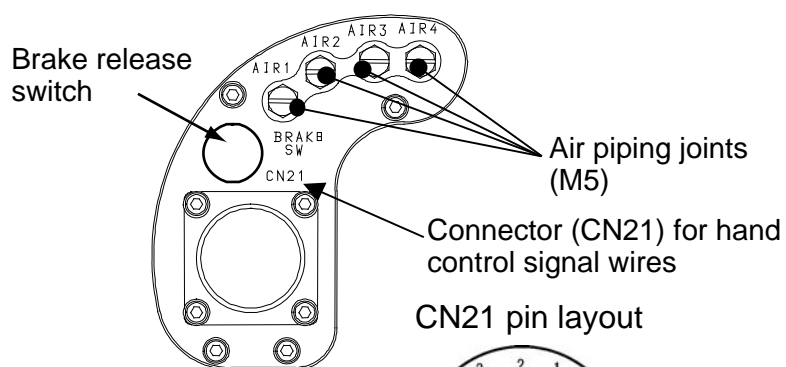
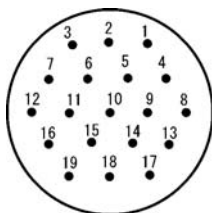


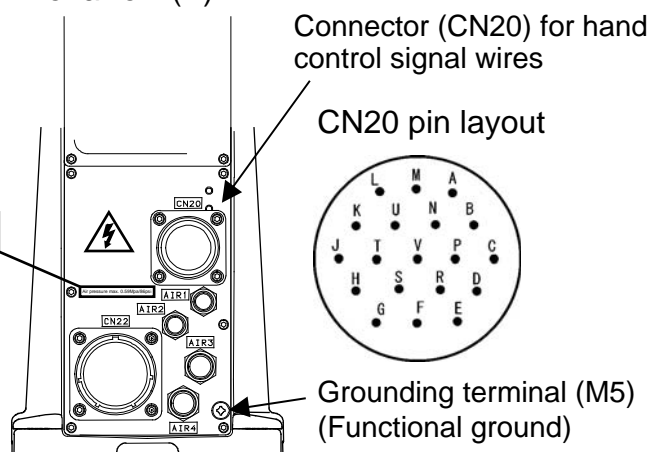
View in direction of arrow (A)



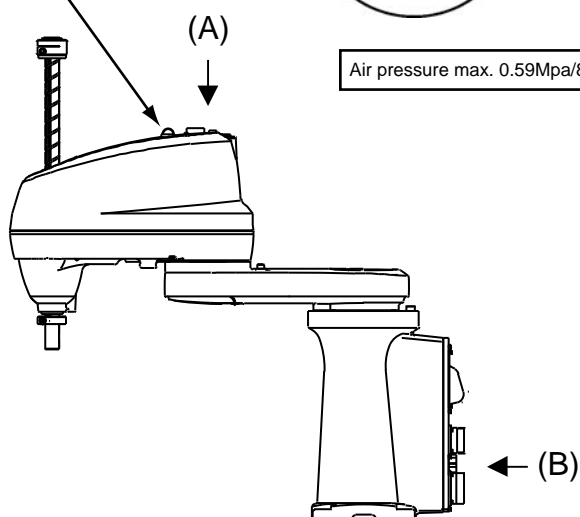
CN21 pin layout



View in direction of arrow (B)



Motor ON lamp



Air pressure max. 0.59Mpa/86psi

Air No.	Air piping joint	Maximum allowable pressure
AIR 1,2	$\phi 4$, PT1/8	0.59 MPa / 86 psi
AIR 3,4	$\phi 6$, PT1/4	