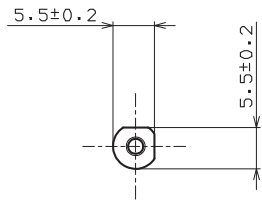
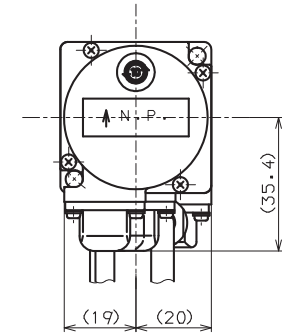
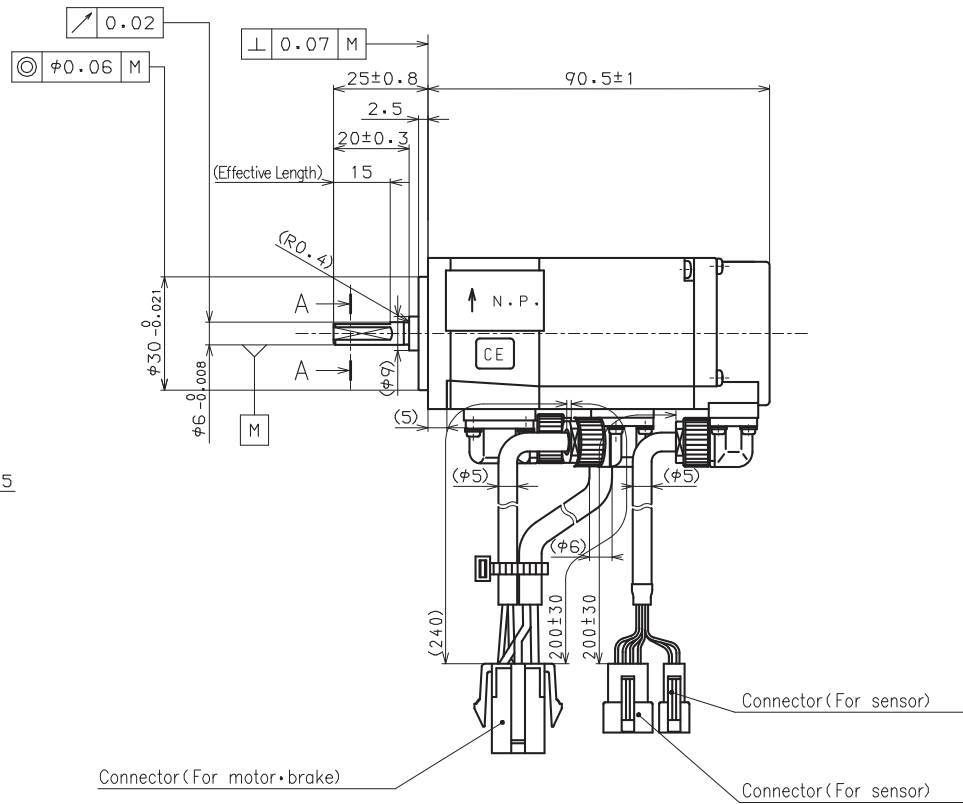
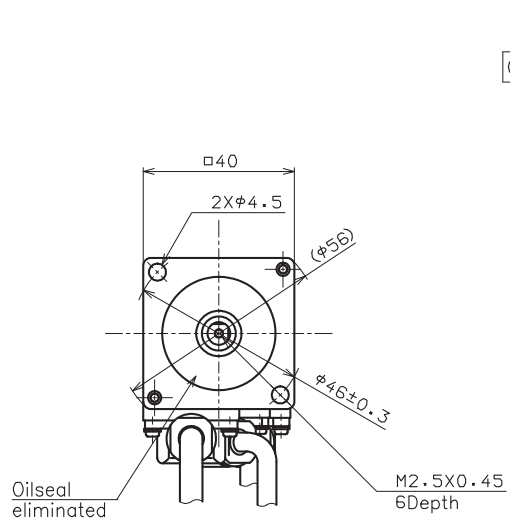


Model	R2AA04003FCPWL*
Part No.	410627-118*



A - A (2 : 1)

