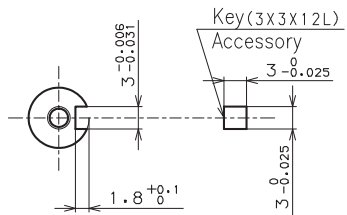
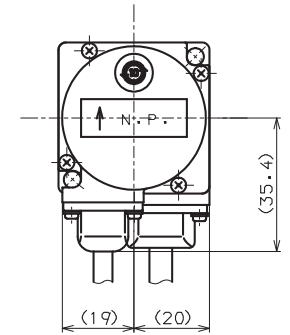
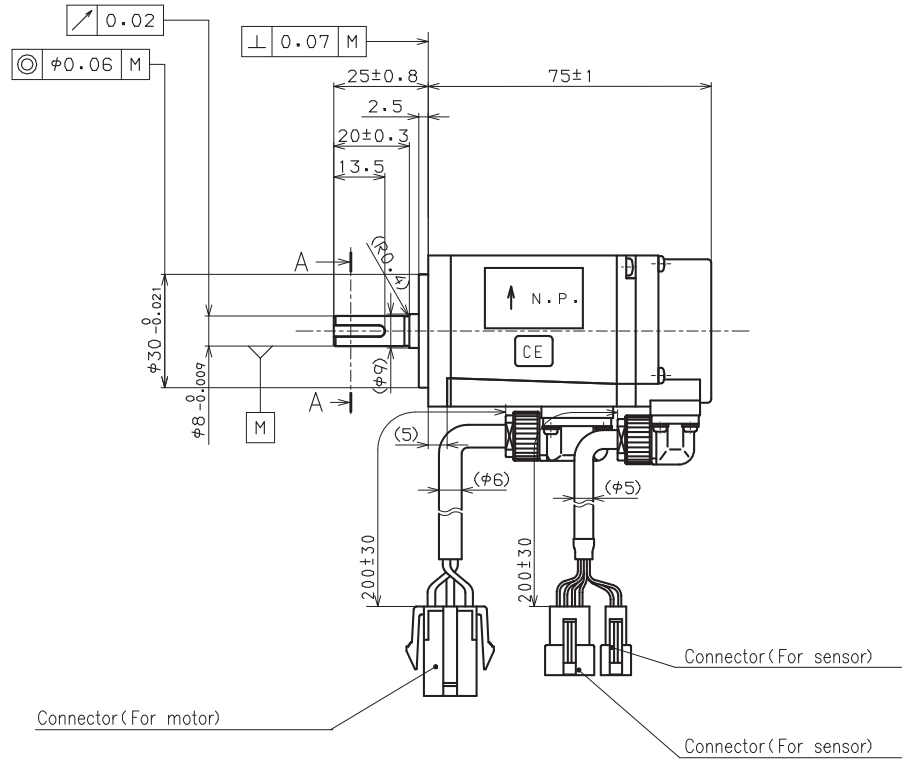
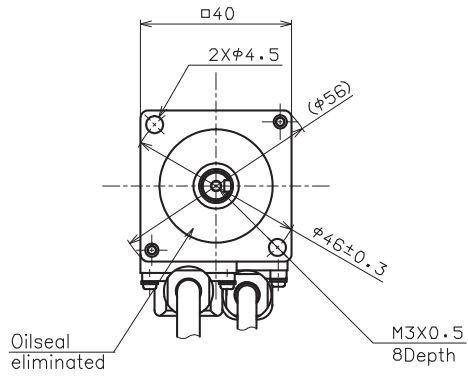


Model	R2AA04010FXPWJ*
Part No.	410627-121*



A - A ( 2 : 1 )

